

CATALOGUE

ALARMES

ANTI-INTRUSION

Standard : +226 25652835

GSM: +22670245169

WhatsApp +22678885761

contact@elecprotech.com

elecprotech@gmail.com

www.elecprotech.com



alhua
TECHNOLOGY



PRODUITS SANS FILS





CONTROLEURS SANS FILS



DHI-ARC3000H-FW2(868)

Alarm hub



- Supports 150 wireless peripherals (6 sirens, 64 wireless keyfobs).
- Peripherals status display (signal strength, battery level, temperature, program version).
- Wired, Wi-Fi, 4G, 3G or GPRS network connection.
- Dual SIM and Single Standby.
- Automatic network replenishment (ANR).
- Video linkage on App.
- Frequency hopping function and two-way communication technology ensure communication stability.
- Cloud update and automatic recovery from update failure.

System Overview

An all new industrial design and advanced technological system, makes the new generation of wireless alarm products easier to install, look better, communicate more reliably and perform more stably. From the comfort of the mobile apps DMSS (for end users) and COS Pro (for installers), receive notifications in real-time, control and manage your devices, perform remote operations, and more.

Scene

Mainly applied for villas, shops, apartments, etc.

Technical Specification

Input/Output

Wireless Zone	150-channel wireless peripherals (6 sirens, 64 wireless keyfobs)
---------------	--

Port

Network Port	1 × RJ-45 10 M/100 M Ethernet port
Network Mode	Single SIM (GSM:900/1800MHz, WCDMA:B1/B5/B8, LTE-FDD:B1/B3/B5/B7/B8/B20, LTE-TDD:B38/B40/B41); dual SIM single standby
Storage Battery	Built-in lithium battery
Indicator Light	1 for multiple statuses (alarm, arming, disarming, networking, and malfunction)
Button	1 × reset, 1 × power, 1 × AP
Buzzer	Built-in

Function

Tamper Alarm	Yes
SMS	Yes (up to 5 phone numbers)
Calling Alarm	Yes (up to 5 phone numbers)
Video Linkage	Yes

Network Protocol	TCP/IP, including PPTP, L2TP, DHCP, UPNP, and NTP
Remote Upgrade	Cloud update
Arm and Disarm	App; keyfob; schedule
Power Failure Protection for Configured Parameters	Yes
User Management	Share function for App users
Cache	Max. 50 entries (ANR)
Low Battery Alarm	Yes
Search	Search for push messages, device status, and program version, and detect signal strength

Wireless

Carrier Frequency	868.0 MHz–868.6 MHz
Communication Distance	Up to 2,000 m (6,561.68 ft) in an open space
Communication Mechanism	Two-way
Encryption Mode	AES128
Wi-Fi	2.4G
Frequency Hopping	Yes

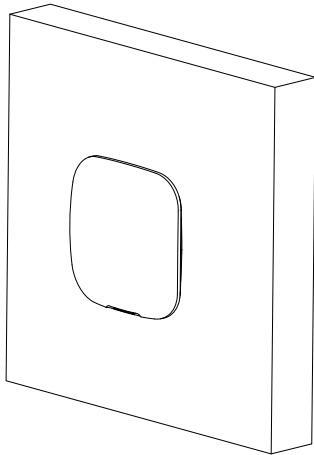
General

Power Supply	12 V DC, 1.5 A (Europe, UK and USA power adapters are optional)
Operating Temperature	−10 °C to +50 °C (+14 °F to +122 °F) (indoor)
Operating Humidity	10%–90% (RH)
Product Dimensions	163.0 mm × 163.0 mm × 32.0 mm (6.42" × 6.42" × 1.26") (L × W × H)
Packaging Dimensions	219.0 mm × 187.0 mm × 91.0 mm (8.62" × 7.36" × 3.58") (L × W × H)
Installation	Wall mount; Desktop
Net Weight	0.38 kg (0.84 lb)

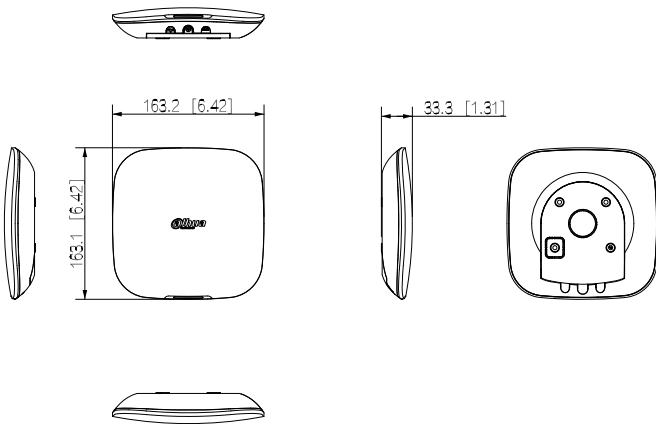
Gross Weight	0.8 kg (1.76 lb)
Certifications	CE
Casing	PC + ABS
Battery Life	Storage battery standby for 12 hours

Ordering Information		
Type	Model	Description
Alarm hub	DHI-ARC3000H-FW2(868)	Alarm hub (4G)

Installation



Dimensions (mm[inch])



Application



DHI-ARC3000H-FW2

Alarm hub



- Supports 150 wireless peripherals (6 sirens, 64 wireless keyfobs).
- Peripherals status display (signal strength, battery level, temperature, program version).
- Wired, Wi-Fi, 4G, 3G or GPRS network connection.
- Dual SIM and Single Standby.
- Automatic network replenishment (ANR).
- Video linkage on App.
- Frequency hopping function and two-way communication technology ensure communication stability.
- Cloud update and automatic recovery from update failure.

System Overview

An all new industrial design and advanced technological system, makes the new generation of wireless alarm products easier to install, look better, communicate more reliably and perform more stably. From the comfort of the mobile apps DMSS (for end users) and COS Pro (for installers), receive notifications in real-time, control and manage your devices, perform remote operations, and more.

Scene

Mainly applied for villas, shops, apartments, etc.

Technical Specification

Input/Output

Wireless Zone	150-channel wireless peripherals (6 sirens, 64 wireless keyfobs)
---------------	--

Port

Network Port	1 × RJ-45 10 M/100 M Ethernet port
Network Mode	Europe: GSM:900/1800 MHz, WCDMA:B1/B5/B8, LTE-FDD:B1/B3/B5/B7/B8/B20, LTE-TDD:B38/B40/B41; USA: GSM:850/900/1800/1900 MHz, WCDMA:B1/B2/B5/B8, LTE-FDD:B1/B2/B3/B4/B5/B7/B8/B28, LTE-TDD:B40; Dual SIM single standby
Storage Battery	Built-in lithium battery
Indicator Light	1 for multiple statuses (alarm, arming, disarming, networking, and malfunction)
Button	1 × reset, 1 × power, 1 × AP
Buzzer	Built-in

Function

Tamper Alarm	Yes
SMS	Yes (up to 5 phone numbers)

Calling Alarm	Yes (up to 5 phone numbers)
Video Linkage	Yes
Network Protocol	TCP/IP, including PPTP, L2TP, DHCP, UPNP, and NTP
Remote Upgrade	Cloud update
Arm and Disarm	App; keyfob; schedule
Power Failure Protection for Configured Parameters	Yes
User Management	Share function for App users
Cache	Max. 50 entries (ANR)
Low Battery Alarm	Yes
Search	Search for push messages, device status, and program version, and detect signal strength

Wireless

Carrier Frequency	433.1 MHz–434.6 MHz
Communication Distance	Up to 1,200 m (3,937.01 ft) in an open space
Communication Mechanism	Two-way
Encryption Mode	AES128
Wi-Fi	2.4G
Frequency Hopping	Yes

General

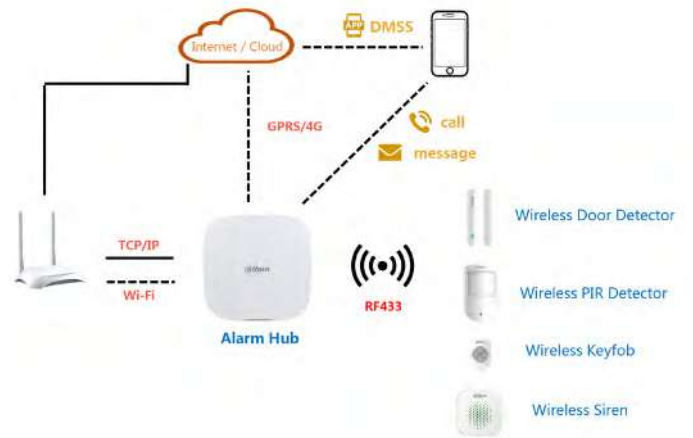
Power Supply	12 V DC, 1.5 A (Europe, UK and USA power adapters are optional)
Operating Temperature	-10 °C to +50 °C (+14 °F to +122 °F) (indoor)
Operating Humidity	10%–90% (RH)
Product Dimensions	163.0 mm × 163.0 mm × 32.0 mm (6.42" × 6.42" × 1.26") (L × W × H)
Packaging Dimensions	219.0 mm × 187.0 mm × 91.0 mm (8.62" × 7.36" × 3.58") (L × W × H)

Installation	Wall mount; Desktop
Net Weight	0.38 kg (0.84 lb)
Gross Weight	0.8 kg (1.76 lb)
Certifications	CE
Casing	PC + ABS
Battery Life	Storage battery standby for 12 hours

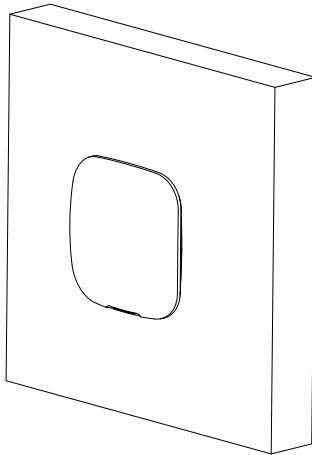
Ordering Information

Type	Model	Description
Alarm hub	DHI-ARC3000H-FW2	Alarm hub (4G)

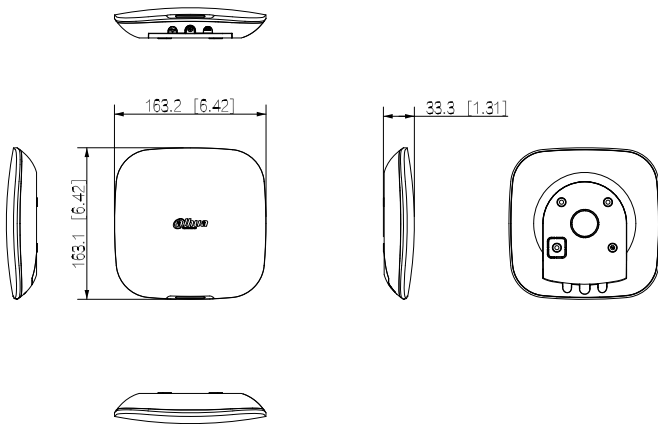
Application



Installation



Dimensions (mm[inch])



DHI-ARC3000H-GW2(868)

Alarm hub



- Supports 150 wireless peripherals (6 sirens, 64 wireless keyfobs).
- Peripherals status display (signal strength, battery level, temperature, program version).
- Wired, Wi-Fi or GPRS network connection.
- Dual SIM and Single Standby.
- Automatic network replenishment (ANR).
- Video linkage on App.
- Frequency hopping function and two-way communication technology ensure communication stability.
- Cloud update and automatic recovery from update failure.

System Overview

An all new industrial design and advanced technological system, makes the new generation of wireless alarm products easier to install, look better, communicate more reliably and perform more stably. From the comfort of the mobile apps DMSS (for end users) and COS Pro (for installers), receive notifications in real-time, control and manage your devices, perform remote operations, and more.

Scene

Mainly applied for villas, shops, apartments, etc.

Technical Specification

Input/Output

Wireless Zone	150-channel wireless peripherals (6 sirens, 64 wireless keyfobs)
---------------	--

Port

Network Port	1 × RJ-45 10 M/100 M Ethernet port
Network Mode	Single SIM 2G (GSM:B3/B8); dual SIM single standby
Storage Battery	Built-in lithium battery
Indicator Light	1 for multiple statuses (alarm, arming, disarming, networking, and malfunction)
Button	1 × reset, 1 × power, 1 × AP
Buzzer	Built-in

Function

Tamper Alarm	Yes
SMS	Yes (up to 5 phone numbers)
Calling Alarm	Yes (up to 5 phone numbers)
Video Linkage	Yes
Network Protocol	TCP/IP, including PPTP, L2TP, DHCP, UPNP, and NTP

Remote Upgrade	Cloud update
Arm and Disarm	App; keyfob; schedule
Power Failure Protection for Configured Parameters	Yes
User Management	Share function for App users
Cache	Max. 50 entries (ANR)
Low Battery Alarm	Yes
Search	Search for push messages, device status, and program version, and detect signal strength

Wireless

Carrier Frequency	868.0 MHz–868.6 MHz
Communication Distance	Up to 2,000 m (6,561.68 ft) in an open space
Communication Mechanism	Two-way
Encryption Mode	AES128
Wi-Fi	2.4G
Frequency Hopping	Yes

General

Power Supply	12 V DC, 1.5 A (Europe, UK and USA power adapters are optional)
Operating Temperature	−10 °C to +50 °C (+14 °F to +122 °F) (indoor)
Operating Humidity	10%–90% (RH)
Product Dimensions	163.0 mm × 163.0 mm × 32.0 mm (6.42" × 6.42" × 1.26") (L × W × H)
Packaging Dimensions	219.0 mm × 187.0 mm × 91.0 mm (8.62" × 7.36" × 3.58") (L × W × H)
Installation	Wall mount; Desktop
Net Weight	0.38 kg (0.84 lb)
Gross Weight	0.8 kg (1.76 lb)

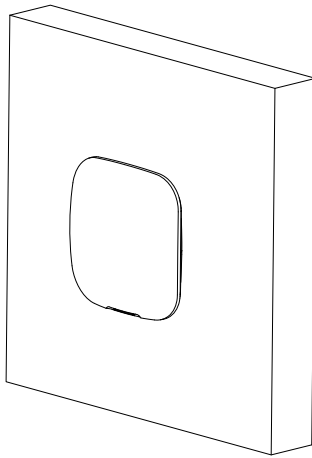
ARC3 Series | DHI-ARC3000H-GW2(868)

Certifications	CE
Casing	PC + ABS
Battery Life	Storage battery standby for 12 hours

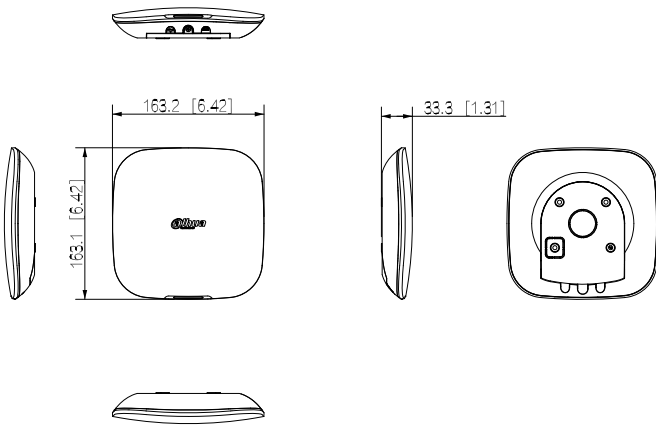
Ordering Information

Type	Model	Description
Alarm hub	DHI-ARC3000H-GW2(868)	Alarm hub (2G)

Installation



Dimensions (mm[inch])



Application



DHI-ARC3000H-GW2

Alarm hub



- Supports 150 wireless peripherals (6 sirens, 64 wireless keyfobs).
- Peripherals status display (signal strength, battery level, temperature, program version).
- Wired, Wi-Fi or GPRS network connection.
- Dual SIM and Single Standby.
- Automatic network replenishment (ANR).
- Video linkage on App.
- Frequency hopping function and two-way communication technology ensure communication stability.
- Cloud update and automatic recovery from update failure.

System Overview

An all new industrial design and advanced technological system, makes the new generation of wireless alarm products easier to install, look better, communicate more reliably and perform more stably. From the comfort of the mobile apps DMSS (for end users) and COS Pro (for installers), receive notifications in real-time, control and manage your devices, perform remote operations, and more.

Scene

Mainly applied for villas, shops, apartments, etc.

Technical Specification

Input/Output

Wireless Zone	150-channel wireless peripherals (6 sirens, 64 wireless keyfobs)
---------------	--

Port

Network Port	1 × RJ-45 10 M/100 M Ethernet port
Network Mode	Single SIM 2G (GSM:B3/B8); dual SIM single standby
Storage Battery	Built-in lithium battery
Indicator Light	1 for multiple statuses (alarm, arming, disarming, networking, and malfunction)
Button	1 × reset, 1 × power, 1 × AP
Buzzer	Built-in

Function

Tamper Alarm	Yes
SMS	Yes (up to 5 phone numbers)
Calling Alarm	Yes (up to 5 phone numbers)
Video Linkage	Yes
Network Protocol	TCP/IP, including PPTP, L2TP, DHCP, UPNP, and NTP

Remote Upgrade	Cloud update
Arm and Disarm	App; keyfob; schedule
Power Failure Protection for Configured Parameters	Yes
User Management	Share function for App users
Cache	Max. 50 entries (ANR)
Low Battery Alarm	Yes
Search	Search for push messages, device status, and program version, and detect signal strength

Wireless

Carrier Frequency	433.1 MHz–434.6 MHz
Communication Distance	Up to 1,200 m (3,937.01 ft) in an open space
Communication Mechanism	Two-way
Encryption Mode	AES128
Wi-Fi	2.4G
Frequency Hopping	Yes

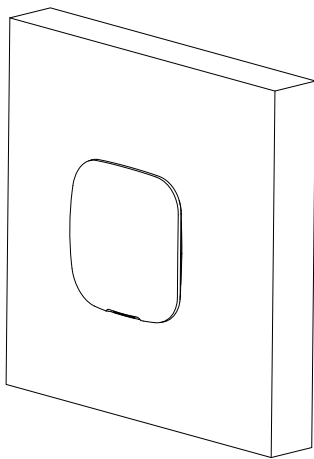
General

Power Supply	12 V DC, 1.5 A (Europe, UK and USA power adapters are optional)
Operating Temperature	−10 °C to +50 °C (+14 °F to +122 °F) (indoor)
Operating Humidity	10%–90% (RH)
Product Dimensions	163.0 mm × 163.0 mm × 32.0 mm (6.42" × 6.42" × 1.26") (L × W × H)
Packaging Dimensions	219.0 mm × 187.0 mm × 91.0 mm (8.62" × 7.36" × 3.58") (L × W × H)
Installation	Wall mount; Desktop
Net Weight	0.38 kg (0.84 lb)
Gross Weight	0.8 kg (1.76 lb)

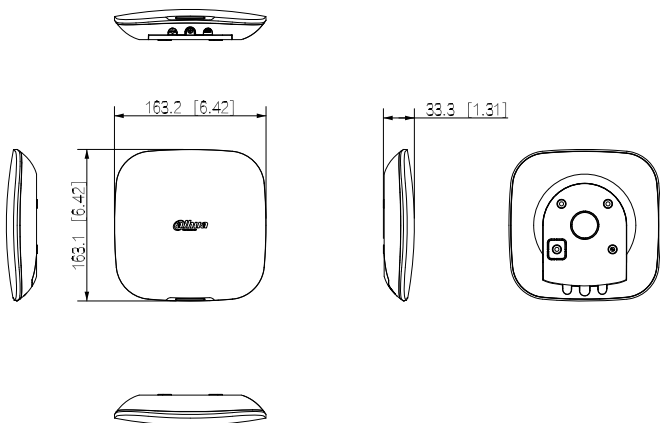
Certifications	CE
Casing	PC + ABS
Battery Life	Storage battery standby for 12 hours

Ordering Information		
Type	Model	Description
Alarm hub	DHI-ARC3000H-GW2	Alarm hub (2G)

Installation



Dimensions (mm[inch])



Application



DHI-ARC3000H-W2(868)

Alarm hub



- Supports 150 wireless peripherals (6 sirens, 64 wireless keyfobs).
- Peripherals status display (signal strength, battery level, temperature, program version).
- Automatic network replenishment (ANR).
- Video linkage on App.
- Frequency hopping function and two-way communication technology ensure communication stability.
- Cloud update and automatic recovery from update failure.

System Overview

An all new industrial design and advanced technological system, makes the new generation of wireless alarm products easier to install, look better, communicate more reliably and perform more stably. From the comfort of the mobile apps DMSS (for end users) and COS Pro (for installers), receive notifications in real-time, control and manage your devices, perform remote operations, and more.

Scene

Mainly applied for villas, shops, apartments, etc.

Technical Specification

Input/Output

Wireless Zone	150-channel wireless peripherals (6 sirens, 64 wireless keyfobs)
---------------	--

Port

Network Port	1 × RJ-45 10 M/100 M Ethernet port
--------------	------------------------------------

Storage Battery	Built-in lithium battery
-----------------	--------------------------

Indicator Light	1 for multiple statuses (alarm, arming, disarming, networking, and malfunction)
-----------------	---

Button	1 × reset, 1 × power, 1 × AP
--------	------------------------------

Buzzer	Built-in
--------	----------

Function

Tamper Alarm	Yes
--------------	-----

Video Linkage	Yes
---------------	-----

Network Protocol	TCP/IP, including PPTP, L2TP, DHCP, UPNP, and NTP
------------------	---

Remote Upgrade	Cloud update
----------------	--------------

Arm and Disarm	App; keyfob; schedule
----------------	-----------------------

Power Failure Protection for Configured Parameters	Yes
--	-----

User Management	Share function for App users
Cache	Max. 50 entries (ANR)
Low Battery Alarm	Yes
Search	Search for push messages, device status, and program version, and detect signal strength

Wireless

Carrier Frequency	868.0 MHz–868.6 MHz
Communication Distance	Up to 2,000 m (6,561.68 ft) in an open space
Communication Mechanism	Two-way
Encryption Mode	AES128
Wi-Fi	2.4G
Frequency Hopping	Yes

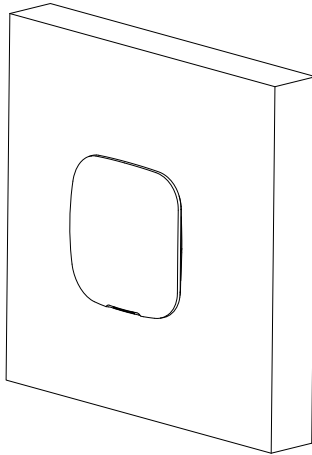
General

Power Supply	12 V DC, 1.5 A (Europe, UK and USA power adapters are optional)
Operating Temperature	−10 °C to +50 °C (+14 °F to +122 °F) (indoor)
Operating Humidity	10%–90% (RH)
Product Dimensions	163.0 mm × 163.0 mm × 32.0 mm (6.42" × 6.42" × 1.26") (L × W × H)
Packaging Dimensions	219.0 mm × 187.0 mm × 91.0 mm (8.62" × 7.36" × 3.58") (L × W × H)
Installation	Wall mount; desktop
Net Weight	0.38 kg (0.84 lb)
Gross Weight	0.8 kg (1.76 lb)
Certifications	CE
Casing	PC + ABS
Battery Life	Storage battery standby for 12 hours

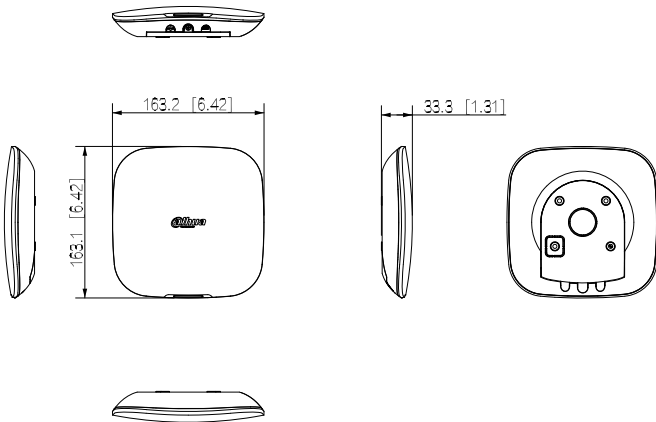
Ordering Information

Type	Model	Description
Alarm hub	DHI-ARC3000H-W2(868)	Alarm hub (general)

Installation



Dimensions (mm[inch])



Application



DHI-ARC3000H-W2

Alarm hub



- Supports 150 wireless peripherals (6 sirens, 64 wireless keyfobs).
- Peripherals status display (signal strength, battery level, temperature, program version).
- Automatic network replenishment (ANR).
- Video linkage on App.
- Frequency hopping function and two-way communication technology ensure communication stability.
- Cloud update and automatic recovery from update failure.

System Overview

An all new industrial design and advanced technological system, makes the new generation of wireless alarm products easier to install, look better, communicate more reliably and perform more stably. From the comfort of the mobile apps DMSS (for end users) and COS Pro (for installers), receive notifications in real-time, control and manage your devices, perform remote operations, and more.

Scene

Mainly applied for villas, shops, apartments, etc.

Technical Specification

Input/Output

Wireless Zone	150-channel wireless peripherals (6 sirens, 64 wireless keyfobs)
---------------	--

Port

Network Port	1 × RJ-45 10 M/100 M Ethernet port
--------------	------------------------------------

Storage Battery	Built-in lithium battery
-----------------	--------------------------

Indicator Light	1 for multiple statuses (alarm, arming, disarming, networking, and malfunction)
-----------------	---

Button	1 × reset, 1 × power, 1 × AP
--------	------------------------------

Buzzer	Built-in
--------	----------

Function

Tamper Alarm	Yes
--------------	-----

Video Linkage	Yes
---------------	-----

Network Protocol	TCP/IP, including PPTP, L2TP, DHCP, UPNP, and NTP
------------------	---

Remote Upgrade	Cloud update
----------------	--------------

Arm and Disarm	App; keyfob; schedule
----------------	-----------------------

Power Failure Protection for Configured Parameters	Yes
--	-----

User Management	Share function for App users
Cache	Max. 50 entries (ANR)
Low Battery Alarm	Yes
Search	Search for push messages, device status, and program version, and detect signal strength

Wireless

Carrier Frequency	433.1 MHz–434.6 MHz
Communication Distance	Up to 1,200 m (3,937.01 ft) in an open space
Communication Mechanism	Two-way
Encryption Mode	AES128
Wi-Fi	2.4G
Frequency Hopping	Yes

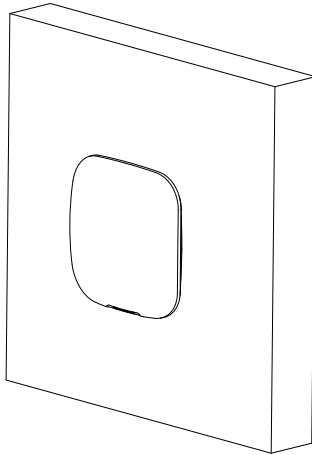
General

Power Supply	12 V DC, 1.5 A (Europe, UK and USA power adapters are optional)
Operating Temperature	−10 °C to +50 °C (+14 °F to +122 °F) (indoor)
Operating Humidity	10%–90% (RH)
Product Dimensions	163.0 mm × 163.0 mm × 32.0 mm (6.42" × 6.42" × 1.26") (L × W × H)
Packaging Dimensions	219.0 mm × 187.0 mm × 91.0 mm (8.62" × 7.36" × 3.58") (L × W × H)
Installation	Wall mount; desktop
Net Weight	0.38 kg (0.84 lb)
Gross Weight	0.8 kg (1.76 lb)
Certifications	CE
Casing	PC + ABS
Battery Life	Storage battery standby for 12 hours

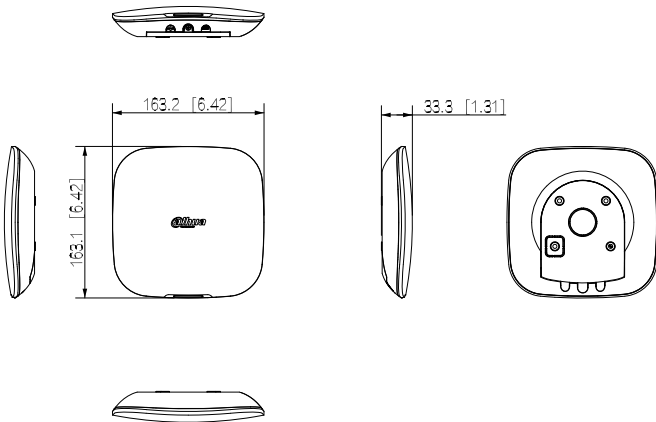
Ordering Information

Type	Model	Description
Alarm hub	DHI-ARC3000H-W2	Alarm hub (general)

Installation



Dimensions (mm[inch])



Application



DHI-ARC5408C-(C)W

Network Video Alarm Controller



Features

- 8 on-board zones, 1 alarm out (expandable to 8)
- 32 wireless zones, bi-directional communication, up to 700m transmission distance (open space/no interference)
- 8 wireless keypads + 8 wired keypads
- 16 wireless key fobs (remote control)
- 4 wireless sirens + 1 wired siren
- 4CH@720P HDCVI/CVS/IPC
- 1/1ch audio in/out
- TCP/IP, WCDMA(-C only), PSTN
- 1x2.5" HDD (Max 2TB)
- Metal housing

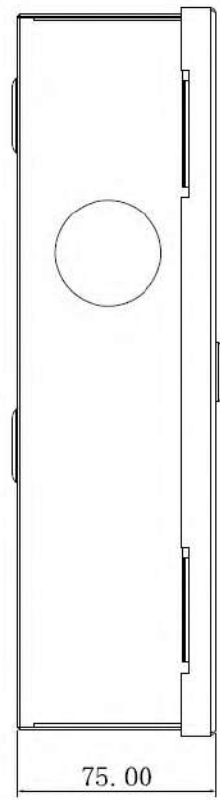
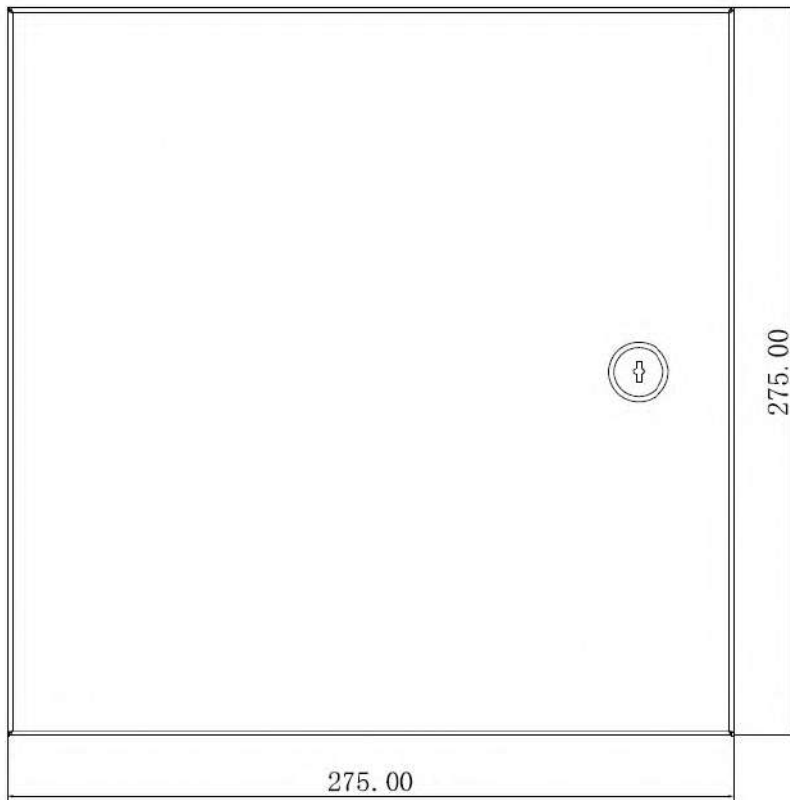
DHI-ARC5408C-(C)W

Technical Specifications

Model	DHI-ARC5408C-(C)W
Wired Zones	8 on-board zones
Wireless Zones	32 wireless zones (433MHz)
Alarm Output	1-ch relay output (30VDC 1A), extend to 8-ch
Wireless Remote Control Number/Distance	16, the transmission is up to 80m (open space/no interference)
User Management	1 installer user, 1 administrator, 1 duress user, 20 operator users
Video in/out	input: 4CH@720P HDCVI/CVS/IPC output: 1 VGA
Video Compression and Quality	H.264, up to 1080P, Each channel can have two streams
Video Playback	Support up to 4CH @720P (or 2-ch 1080P)
Motion Detect	Each screen can set 396 (22*18) detection areas; multi-level sensitivity; 1-6 optional
Region Masking	4 regions for each channel
Audio coding standard	G.711A
Audio in/out	1-ch linear audio input/1-ch linear audio output
Audio talk	1-ch multiplex audio talk
USB	1 USB2.0
HDD	1 SATA 2.5 inch
Network	1-ch 10M/100M Ethernet port, RJ45 port -C (WCDMA 3G network)
Protocol	TCP/IP
Log	5000
Independent Security service center	2 groups phone call security center 1 group active registration center 2 groups network security center
Siren	Support
PSTN Detect	Support
Anti-cut, Anti-circuit	Support
SMS	-C Support
Remote Upgrade	Support
Tamper Alarm	Vandal proof
Load Capability	12VDC 0.5A 12VDC 1.0A
Siren output power	12VDC 0.5A
Alternate Power	External: +12V 7AH Lead-acid battery Internal: 11V 5200mAH lithium battery
Power	DC14.5V, Max 50W
Working Environment	-10°C~+55°C
Overall dimensions\weight	275mm*275mm*75mm /<3kg
Installation	Wall mounting

DHI-ARC5408C-(C)W

Dimension





DETECTEURS
SANS FILS



DHI-ARD323-W2(868)

Wireless door detector



- Signal strength detection.
- Low battery alarm.
- Temperature measurement.
- Frequency hopping function and two-way communication technology ensure communication stability.
- Cloud update and automatic recovery from update failure.

System Overview

Wireless door detector is a detector consisting of a sensor and a magnet that can trigger an alarm when an armed door is opened. It can display the open and close state of doors and windows on the DMSS App in real time, and provides timely notifications of alarm events when armed, acting as a monitoring mechanism

Scene

Mainly applied for villas, shops, apartments, etc.

Technical Specification

Port

Indicator Light	1 × green alarm indicator
Button	1 × power button

Function

Tamper Alarm	Yes
Remote Upgrade	Cloud update
Low Battery Alarm	Yes
Test Mode	Yes
Search	Signal strength detection

Wireless

Carrier Frequency	868.0 MHz–868.6 MHz
Communication Distance	Up to 1,200 m (3,937.01 ft) in an open space
Communication Mechanism	Two-way
Frequency Hopping	Yes
Encryption Mode	AES128

General

Power Supply	CR123A battery
Power Consumption	Max. 125 mW
Operating Temperature	−10 °C to +55 °C (+14 °F to +131 °F) (indoor)
Operating Humidity	10%–90% (RH)
Product Dimensions	100.2mm × 20.8mm × 20.3mm (3.94" × 0.82" × 0.80") (L × W × H)
Packaging Dimensions	135.0 mm × 98.5 mm × 27.8mm (5.31" × 3.88" × 1.09") (L × W × H)
Installation	Bracket mount
Net Weight	70 g (0.15 lb)
Gross Weight	115 g (0.25 lb)
Certifications	CE
Battery Life	4 years (The external input type is NO) 2 years (The external input type is NC or Pulse)
Casing Material	PC + ABS

Temperature

Measuring Range	−15 °C to +65 °C (+5 °F to +149 °F) (indoor)
Measuring Precision	±1 °C (±1.8 °F)
Resolution	1 °C (33.8 °F)

Specification

Sensor	Reed Switch
Scenario	Non-metal doors
Movement Distance	< 40 mm (1.57")

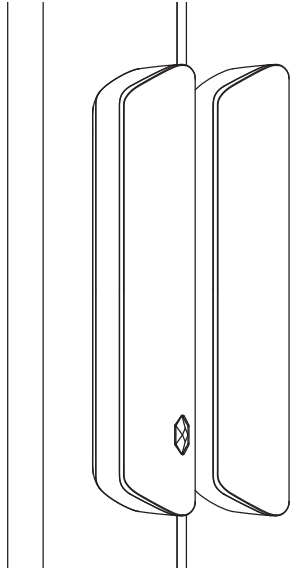
Peripherals

External Zone	1-channel dry contact input
---------------	-----------------------------

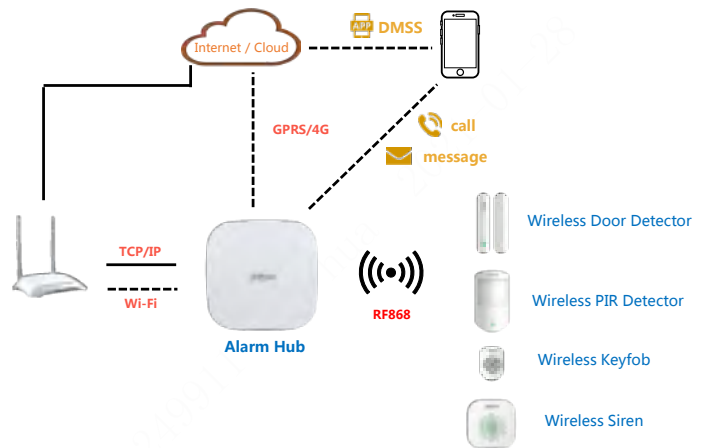
Ordering Information

Type	Part Number	Description
Wireless door detector	DHI-ARD323-W2(868)	Wireless door contact

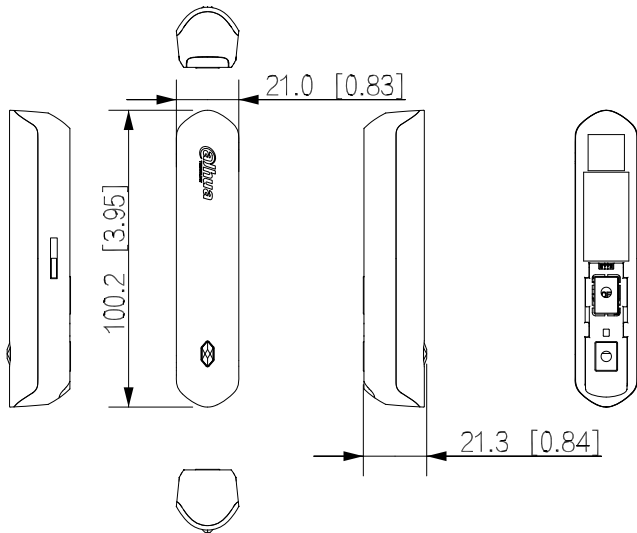
Installation



Application



Dimensions (mm[inch])



DHI-ARD323-W2(868S)

Wireless door detector



- Signal strength detection.
- Low battery alarm.
- Temperature measurement.
- Frequency hopping function and two-way communication technology ensure communication stability.
- Cloud update and automatic recovery from update failure.

System Overview

Wireless door detector is a detector consisting of a sensor and a magnet that can trigger an alarm when an armed door is opened. It can display the open and close state of doors and windows on the DMSS App in real time, and provides timely notifications of alarm events when armed, acting as a monitoring mechanism

Scene

Mainly applied for villas, shops, apartments, etc.

Technical Specification

Port

Indicator Light	1 × green alarm indicator
Button	1 × power button

Function

Tamper Alarm	Yes
Remote Upgrade	Cloud update
Low Battery Alarm	Yes
Test Mode	Yes
Search	Signal strength detection

Wireless

Carrier Frequency	868.0 MHz–868.6 MHz
Communication Distance	Up to 1,200 m (3,937.01 ft) in an open space
Communication Mechanism	Two-way
Frequency Hopping	Yes
Encryption Mode	AES128

General

Power Supply	CR123A battery
Power Consumption	Max. 125 mW
Operating Temperature	−10 °C to +55 °C (+14 °F to +131 °F) (indoor)
Operating Humidity	10%–90% (RH)
Product Dimensions	100.2mm × 20.8mm × 20.3mm (3.94" × 0.82" × 0.80") (L × W × H)
Packaging Dimensions	135.0 mm × 98.5 mm × 27.8mm (5.31" × 3.88" × 1.09") (L × W × H)
Installation	Bracket mount
Net Weight	70 g (0.15 lb)
Gross Weight	115 g (0.25 lb)
Certifications	CE
Battery Life	4 years (The external input type is NO) 2 years (The external input type is NC or Pulse)
Casing Material	PC + ABS

Temperature

Measuring Range	−15 °C to +65 °C (+5 °F to +149 °F) (indoor)
Measuring Precision	±1 °C (±1.8 °F)
Resolution	1 °C (33.8 °F)

Specification

Sensor	Reed Switch
Scenario	Non-metal doors
Movement Distance	< 40 mm (1.57")

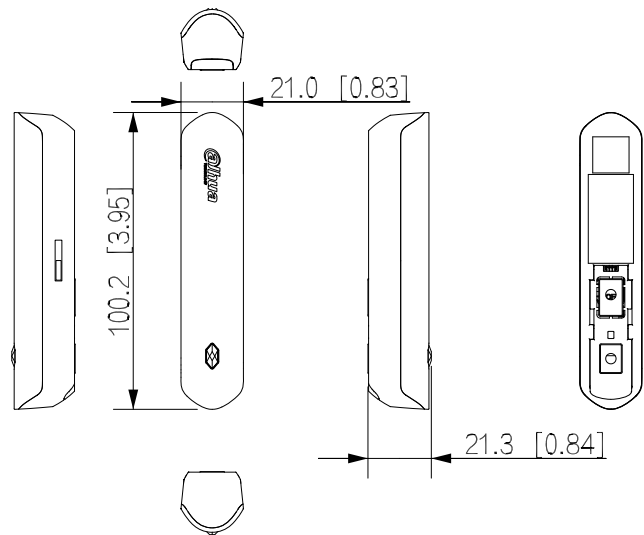
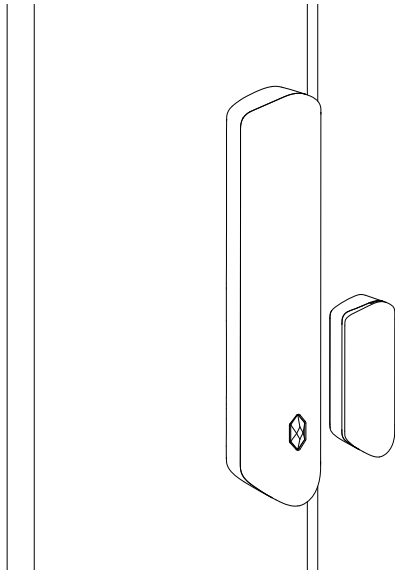
Peripherals

External Zone	1-channel dry contact input
---------------	-----------------------------

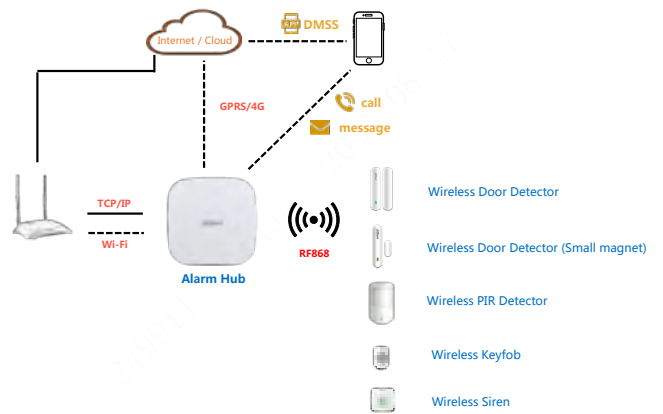
Ordering Information

Type	Part Number	Description
Wireless door detector	DHI-ARD323-W2(868S)	Wireless door contact

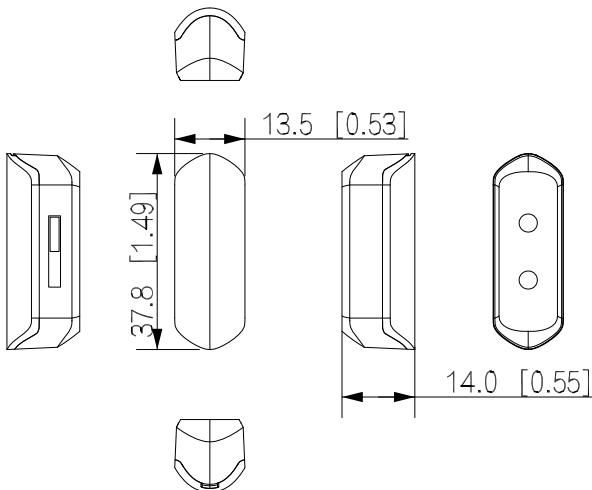
Installation



Application



Dimensions (mm[inch])



DHI-ARD323-W2(S)

Wireless door detector



- Signal strength detection.
- Low battery alarm.
- Temperature measurement.
- Frequency hopping function and two-way communication technology ensure communication stability.
- Cloud update and automatic recovery from update failure.

System Overview

Wireless door detector is a detector consisting of a sensor and a magnet that can trigger an alarm when an armed door is opened. It can display the open and close state of doors and windows on the DMSS App in real time, and provides timely notifications of alarm events when armed, acting as a monitoring mechanism.

Scene

Mainly applied for villas, shops, apartments, etc.

Technical Specification

Port

Indicator Light	1 × green alarm indicator
Button	1 × power button

Function

Tamper Alarm	Yes
Remote Upgrade	Cloud update
Low Battery Alarm	Yes
Test Mode	Yes
Search	Signal strength detection

Wireless

Carrier Frequency	433.1 MHz–434.6 MHz
Communication Distance	Up to 1,000 m (3,280.84 ft) in an open space
Communication Mechanism	Two-way
Frequency Hopping	Yes
Encryption Mode	AES128

General

Power Supply	CR123A battery
Power Consumption	Max. 70 mW
Operating Temperature	−10 °C to +55 °C (+14 °F to +131 °F) (indoor)
Operating Humidity	10%–90% (RH)
Product Dimensions	100.2mm × 20.8mm × 20.3mm (3.94" × 0.82" × 0.80") (L × W × H)
Packaging Dimensions	135.0 mm × 98.5 mm × 27.8mm (5.31" × 3.88" × 1.09") (L × W × H)
Installation	Bracket mount
Net Weight	70 g (0.15 lb)
Gross Weight	115 g (0.25 lb)
Certifications	CE
Battery Life	4 years (The external input type is NO) 2 years (The external input type is NC or Pulse)
Casing	PC + ABS

Temperature

Measuring Range	−15 °C to +65 °C (+5 °F to +149 °F) (indoor)
Measuring Precision	±1 °C (±1.8 °F)
Resolution	1 °C (33.8 °F)

Specification

Sensor	Reed Switch
Scenario	Non-metal doors
Movement Distance	< 40 mm (1.57")

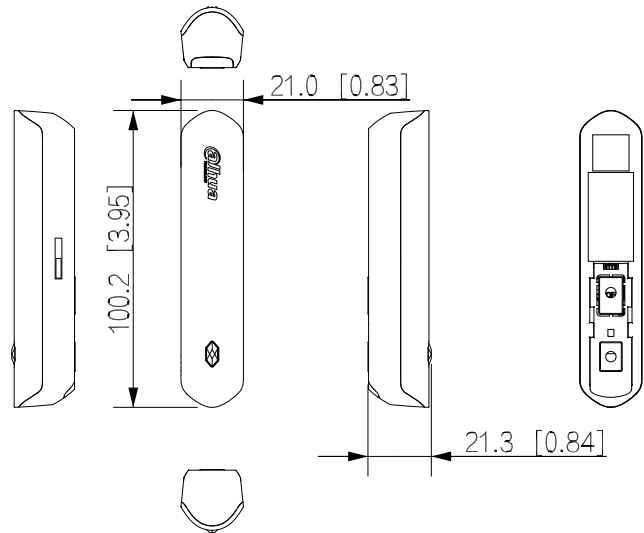
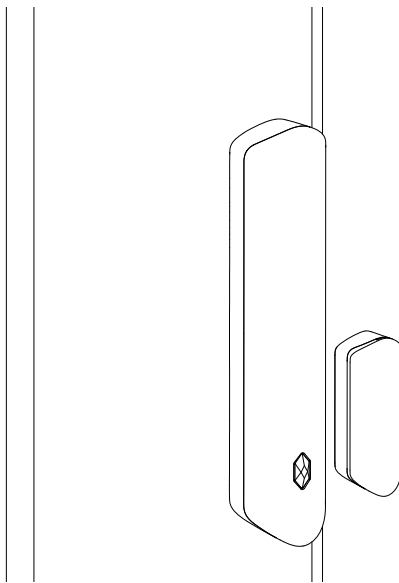
Peripherals

External Zone	1-channel dry contact input
---------------	-----------------------------

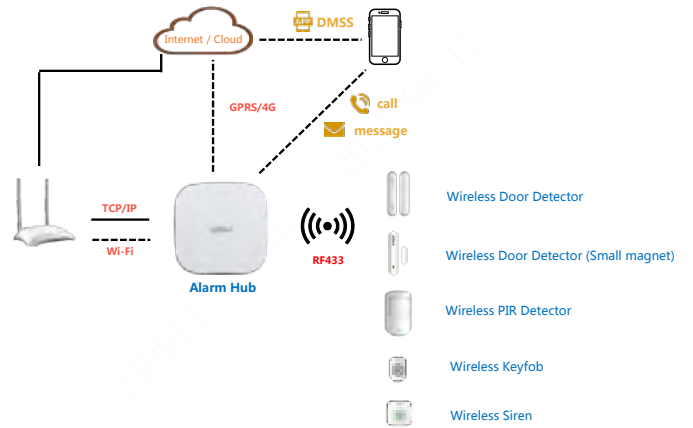
Ordering Information

Type	Model	Description
Wireless door detector	DHI-ARD323-W2(S)	Wireless door detector

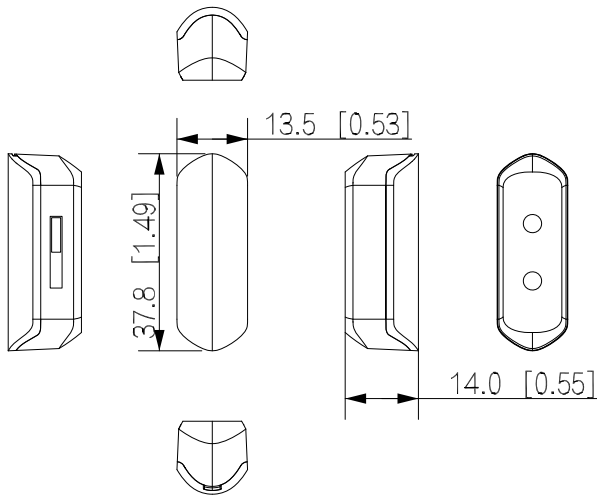
Installation



Application



Dimensions (mm[inch])



DHI-ARD323-W2

Wireless door detector



- Signal strength detection.
- Low battery alarm.
- Temperature measurement.
- Frequency hopping function and two-way communication technology ensure communication stability.
- Cloud update and automatic recovery from update failure.

System Overview

Wireless door detector is a detector consisting of a sensor and a magnet that can trigger an alarm when an armed door is opened. It can display the open and close state of doors and windows on the DMSS App in real time, and provides timely notifications of alarm events when armed, acting as a monitoring mechanism.

Scene

Mainly applied for villas, shops, apartments, etc.

Technical Specification

Port

Indicator Light	1 × green alarm indicator
Button	1 × power button

Function

Tamper Alarm	Yes
Remote Upgrade	Cloud update
Low Battery Alarm	Yes
Test Mode	Yes
Search	Signal strength detection

Wireless

Carrier Frequency	433.1 MHz–434.6 MHz
Communication Distance	Up to 1,000 m (3,280.84 ft) in an open space
Communication Mechanism	Two-way
Frequency Hopping	Yes
Encryption Mode	AES128

General

Power Supply	CR123A battery
Power Consumption	Max. 70 mW
Operating Temperature	−10 °C to +55 °C (+14 °F to +131 °F) (indoor)
Operating Humidity	10%–90% (RH)
Product Dimensions	100.2mm × 20.8mm × 20.3mm (3.94" × 0.82" × 0.80") (L × W × H)
Packaging Dimensions	135.0 mm × 98.5 mm × 27.8mm (5.31" × 3.88" × 1.09") (L × W × H)
Installation	Bracket mount
Net Weight	70 g (0.15 lb)
Gross Weight	115 g (0.25 lb)
Certifications	CE
Battery Life	4 years (The external input type is NO) 2 years (The external input type is NC or Pulse)
Casing	PC + ABS

Temperature

Measuring Range	−15 °C to +65 °C (+5 °F to +149 °F) (indoor)
Measuring Precision	±1 °C (±1.8 °F)
Resolution	1 °C (33.8 °F)

Specification

Sensor	Reed Switch
Scenario	Non-metal doors
Movement Distance	< 40 mm (1.57")

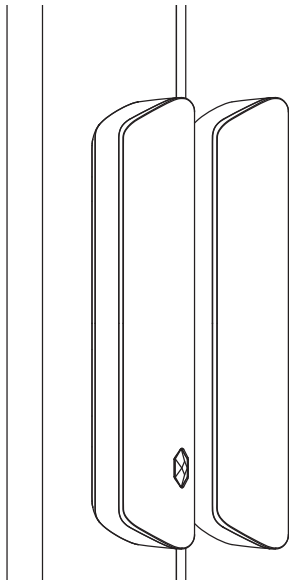
Peripherals

External Zone	1-channel dry contact input
---------------	-----------------------------

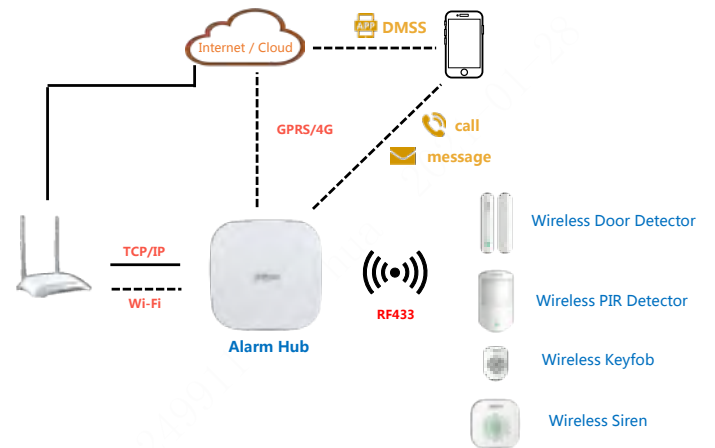
Ordering Information

Type	Model	Description
Wireless door detector	DHI-ARD323-W2	Wireless door detector

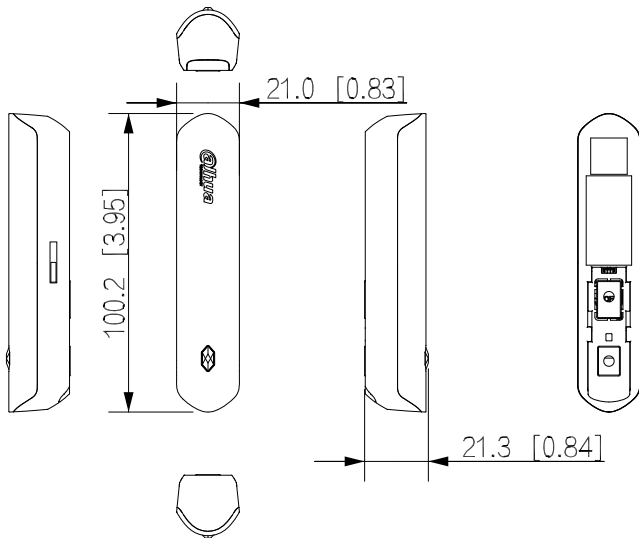
Installation



Application



Dimensions (mm[inch])



DHI-ARD324-W2(868)

Wireless Door Detector Plus



System Overview

Wireless Door Detector Plus detects the status of doors and windows, recognizing when they are opening, shocking and tilting. It can connect with wired detectors in one of 3 ways: normally open, normally closed, and pulse. Easy to install and use, all the configurations can be done through the APP.

Technical Specification

Input/Output

Alarm Input	1(Normally Closed;Normally Open;Impulse Count)
-------------	--

Function

Indicator Light	1 × green alarm indicator
Button	1 × power switch
Remote Update	Cloud update
Low Battery Detection	Yes
Tamper	Yes
Measuring Range (Temperature)	Indoor: -15 °C to +65 °C (+5 °F to +149 °F)
Measuring Accuracy	±1 °C (±1.8 °F)

Technical

Sensor	Triaxial accelerometer, reed switch
Movement Distance	< 40 mm (1.57")
Test Mode	Yes
Scenario	Non-metal doors
Operating Current	12 uA
Alarm Current	2.3 mA

- Displays the temperature of the surrounding environment and supports the overheating alarm.
- Frequency hopping and two-way communication technology ensure that communication is stable.
- Supports cloud update and automatically restores when cloud update fails.
- Supports jamming detection and communication encryption.
- Supports tilt and shock detection, and generates alarms when the event happens.

Wireless

Carrier Frequency	868.0 MHz–868.6 MHz
Communication Mechanism	Two-way
Communication Distance	Up to 1,200 m (3937.01 ft) in an open space
Encryption Mode	AES128
Frequency Hopping	Yes

General

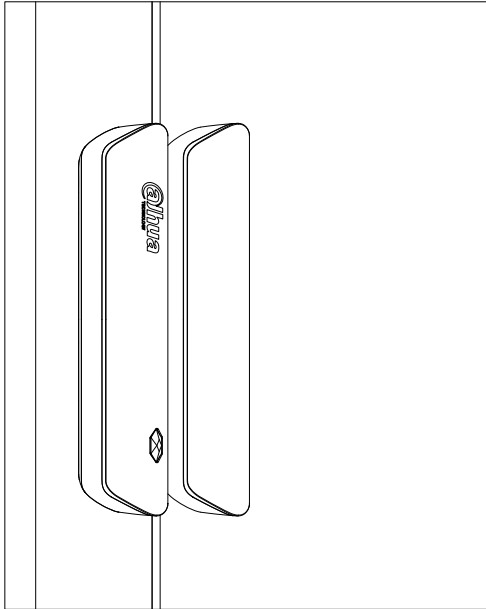
Power Supply	CR123A × 1
Battery Life	If triggered twice a day with a battery efficiency of 70%: 3 years (The external input type is NO) 1.5 years (The external input type is NC)
Power Consumption	167 mW
Operating Temperature	Indoor: -10 °C to +55 °C (+14 °F to +131 °F)
Operating Humidity	10%–90% (RH)
Storage Temperature	-10 °C to +55 °C (+14 °F to +131 °F)
Storage Humidity	10%–90% (RH)
Product Dimensions	100.2 mm × 20.8 mm × 20.3 mm (3.94" × 0.82" × 0.80")
Packaging Dimensions	135.0 mm × 98.5 mm × 27.8 mm (5.32" × 3.87" × 1.09")
Net Weight	70 g (0.15 lb)
Gross Weight	115 g (0.25 lb)
Installation	Bracket mount
Casing Material	PC + ABS
Certifications	CE

Wireless Door Detector Plus | DHI-ARD324-W2(868)

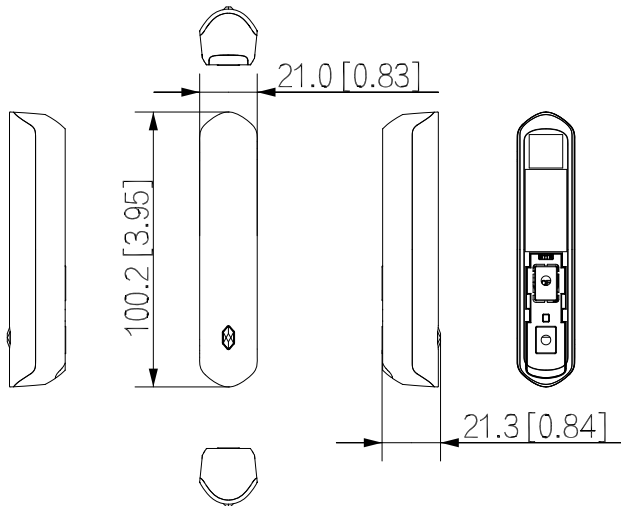
Ordering Information

Type	Part Number	Description
Wireless Door Detector	DHI-ARD324-W2(868)	Wireless Door Detector Plus

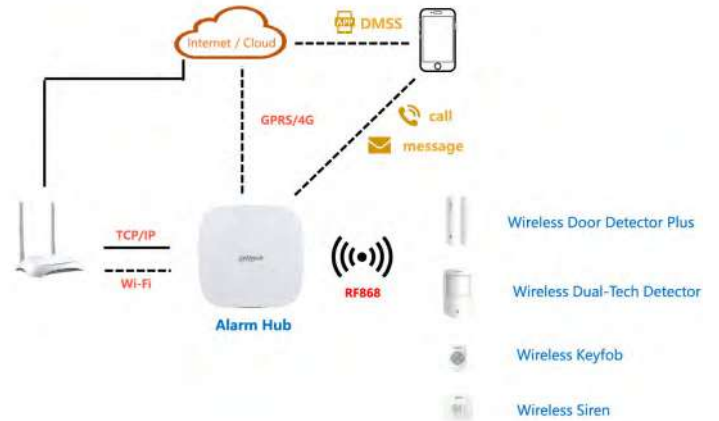
Installation



Dimensions (mm[inch])



Application



DHI-ARD324-W2(868S)

Wireless Door Detector Plus



System Overview

Wireless Door Detector Plus detects the status of doors and windows, recognizing when they are opening, shocking and tilting. It can connect with wired detectors in one of 3 ways: normally open, normally closed, and pulse. Easy to install and use, all the configurations can be done through the APP.

Technical Specification

Input/Output

Alarm Input	1(Normally Closed;Normally Open;Impulse Count)
-------------	--

Function

Indicator Light	1 × green alarm indicator
Button	1 × power switch
Remote Update	Cloud update
Low Battery Detection	Yes
Tamper	Yes
Measuring Range (Temperature)	Indoor: -15 °C to +65 °C (+5 °F to +149 °F)
Measuring Accuracy	±1 °C (±1.8 °F)

Technical

Sensor	Triaxial Accelerometer, Reed Switch
Movement Distance	< 40 mm (1.57")
Test Mode	Yes
Scenario	Non-metal doors
Operating Current	12 uA
Alarm Current	2.3 mA

- Displays the temperature of the surrounding environment and supports the overheating alarm.
- Frequency hopping and two-way communication technology ensure that communication is stable.
- Supports cloud update and automatically restores when cloud update fails.
- Supports jamming detection and communication encryption.
- Supports tilt and shock detection, and generates alarms when the event happens.

Wireless

Carrier Frequency	868.0 MHz–868.6 MHz
Communication Mechanism	Two-way
Communication Distance	Up to 1,200 m (3937.01 ft) in an open space
Encryption Mode	AES128
Frequency Hopping	Yes

General

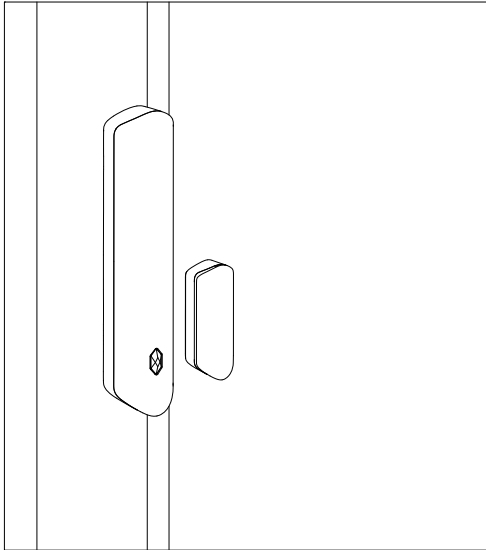
Power Supply	CR123A × 1
Battery Life	If triggered twice a day with a battery efficiency of 70%: 3 years (The external input type is NO) 1.5 years (The external input type is NC)
Power Consumption	167 mW
Operating Temperature	Indoor: -10 °C to +55 °C (+14 °F to +131 °F)
Operating Humidity	10%–90% (RH)
Storage Temperature	-10 °C to +55 °C (+14 °F to +131 °F)
Storage Humidity	10%–90% (RH)
Product Dimensions	100.2 mm × 20.8 mm × 20.3 mm (3.94" × 0.82" × 0.80")
Packaging Dimensions	135.0 mm × 98.5 mm × 27.8 mm (5.32" × 3.87" × 1.09")
Net Weight	70 g (0.15 lb)
Gross Weight	115 g (0.25 lb)
Installation	Bracket mount
Casing Material	PC + ABS
Certifications	CE

Wireless Door Detector Plus | DHI-ARD324-W2(868S)

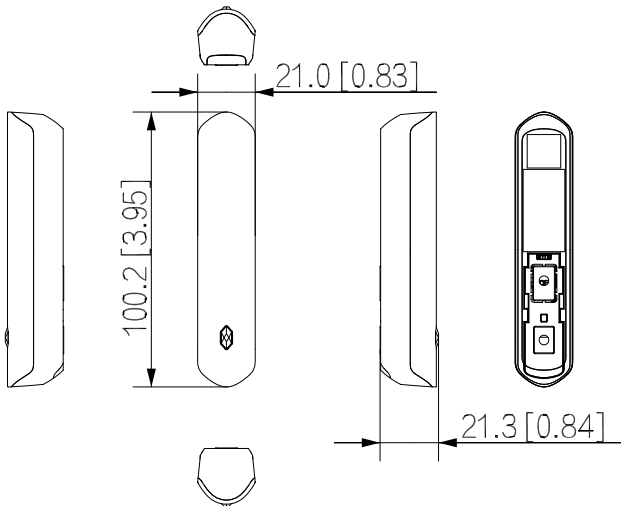
Ordering Information

Type	Part Number	Description
Wireless Door Detector	DHI-ARD324-W2(868S)	Wireless Door Detector Plus

Installation



Dimensions (mm[inch])



Application



DHI-ARD324-W2(S)

Wireless Door Detector Plus



- Displays the temperature of the surrounding environment and supports the overheating alarm.
- Frequency hopping and two-way communication technology ensure that communication is stable.
- Supports cloud update and automatically restores when cloud update fails.
- Supports jamming detection and communication encryption.
- Supports tilt and shock detection, and generates alarms when the event happens.

System Overview

Wireless Door Detector Plus detects the status of doors and windows, recognizing when they are opening, shocking and tilting. It can connect with wired detectors in one of 3 ways: normally open, normally closed, and pulse. Easy to install and use, all the configurations can be done through the APP.

Technical Specification

Input/Output

Alarm Input	1(Normally Closed;Normally Open;Impulse Count)
-------------	--

Function

Indicator Light	1 × green alarm indicator
Button	1 × power switch
Remote Update	Cloud update
Low Battery Detection	Yes
Tamper	Yes
Measuring Range (Temperature)	Indoor: -15 °C to +65 °C (+5 °F to +149 °F)
Measuring Accuracy	±1 °C (±1.8 °F)

Technical

Sensor	Triaxial accelerometer, reed switch
Movement Distance	< 40 mm (1.57")
Test Mode	Yes
Scenario	Non-metal doors
Operating Current	12 uA
Alarm Current	2.3 mA

Wireless

Carrier Frequency	433.1 MHz-434.6 MHz
Communication Mechanism	Two-way
Communication Distance	Up to 1000m(3280.84ft) in an open space
Encryption Mode	AES128
Frequency Hopping	Yes

General

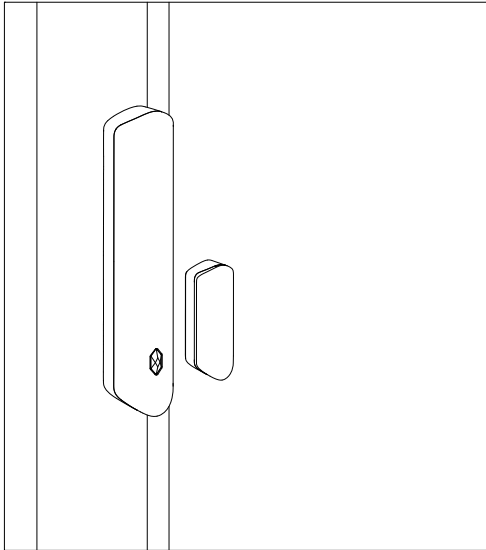
Power Supply	CR123A × 1
Battery Life	If triggered twice a day with a battery efficiency of 70%: 3 years (The external input type is NO) 1.5 years (The external input type is NC)
Power Consumption	104mW
Operating Temperature	Indoor: -10 °C to +55 °C (+14 °F to +131 °F)
Operating Humidity	10%-90% (RH)
Storage Temperature	-10 °C to +55 °C (+14 °F to +131 °F)
Storage Humidity	10%-90% (RH)
Product Dimensions	100.2 mm × 20.8 mm × 20.3 mm (3.94" × 0.82" × 0.80")
Packaging Dimensions	135.0 mm × 98.5 mm × 27.8 mm (5.32" × 3.87" × 1.09")
Net Weight	70 g (0.15 lb)
Gross Weight	115 g (0.25 lb)
Installation	Bracket mount
Casing Material	PC + ABS
Certifications	CE

Wireless Door Detector Plus | DHI-ARD324-W2(S)

Ordering Information

Type	Part Number	Description
Wireless Door Detector	DHI-ARD324-W2(S)	Wireless Door Detector Plus

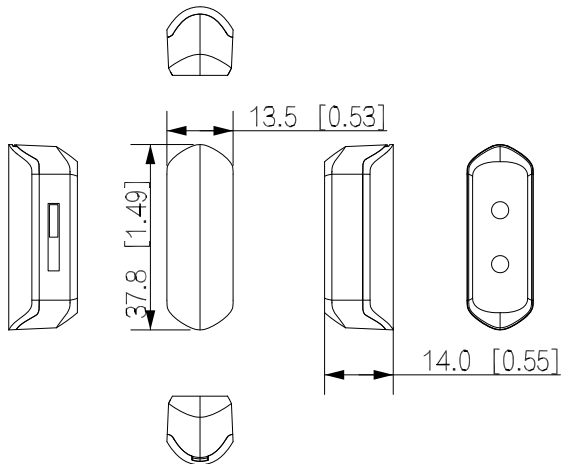
Installation



Application



Dimensions (mm[inch])



DHI-ARD324-W2

Wireless Door Detector Plus



System Overview

Wireless Door Detector Plus detects the status of doors and windows, recognizing when they are opening, shocking and tilting. It can connect with wired detectors in one of 3 ways: normally open, normally closed, and pulse. Easy to install and use, all the configurations can be done through the APP.

Technical Specification

Input/Output

Alarm Input	1(Normally Closed;Normally Open;Impulse Count)
-------------	--

Function

Indicator Light	1 × green alarm indicator
Button	1 × power switch
Remote Update	Cloud update
Low Battery Detection	Yes
Tamper	Yes
Measuring Range (Temperature)	Indoor: -15 °C to +65 °C (+5 °F to +149 °F)
Measuring Accuracy	±1 °C (±1.8 °F)

Technical

Sensor	Triaxial accelerometer, reed switch
Movement Distance	< 40 mm (1.57")
Test Mode	Yes
Scenario	Non-metal doors
Operating Current	12 uA
Alarm Current	2.3 mA

- Displays the temperature of the surrounding environment and supports the overheating alarm.
- Frequency hopping and two-way communication technology ensure that communication is stable.
- Supports cloud update and automatically restores when cloud update fails.
- Supports jamming detection and communication encryption.
- Supports tilt and shock detection, and generates alarms when the event happens.

Wireless

Carrier Frequency	433.1 MHz-434.6 MHz
Communication Mechanism	Two-way
Communication Distance	Up to 1000m(3280.84ft) in an open space
Encryption Mode	AES128
Frequency Hopping	Yes

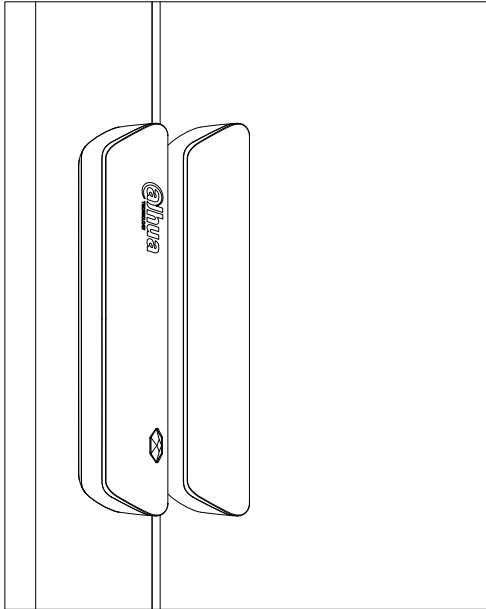
General

Power Supply	CR123A × 1
Battery Life	If triggered twice a day with a battery efficiency of 70%: 3 years (The external input type is NO) 1.5 years (The external input type is NC)
Power Consumption	104 mW
Operating Temperature	Indoor: -10 °C to +55 °C (+14 °F to +131 °F)
Operating Humidity	10%-90% (RH)
Storage Temperature	-10 °C to +55 °C (+14 °F to +131 °F)
Storage Humidity	10%-90%
Product Dimensions	100.2 mm × 20.8 mm × 20.3 mm (3.94" × 0.82" × 0.80")
Packaging Dimensions	135.0 mm × 98.5 mm × 27.8 mm (5.32" × 3.87" × 1.09")
Net Weight	70 g (0.15 lb)
Gross Weight	115 g (0.25 lb)
Installation	Bracket mount
Casing Material	PC + ABS
Certifications	CE

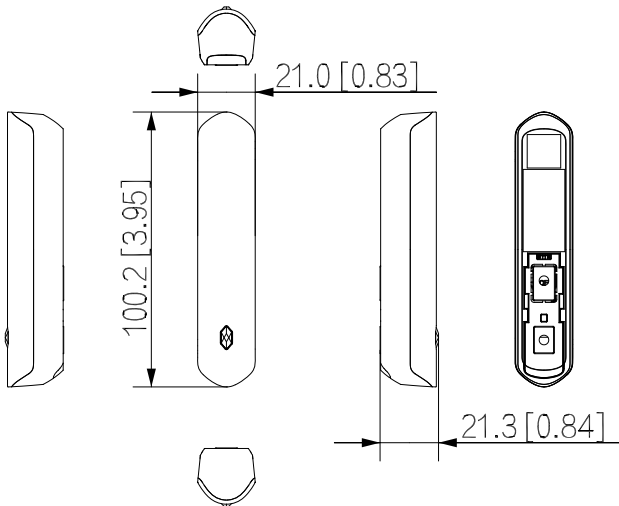
Ordering Information

Type	Part Number	Description
Wireless Door Detector	DHI-ARD324-W2	Wireless Door Detector Plus

Installation



Dimensions (mm[inch])



Application



DHI-ARD512-W2(868)

Dahua Wireless Glass Break Detector



- Detects when the glass is broken, triggering alarms for different types of glass such as tempered, double-glazed, laminated, wired, plate and float glass.
- Detects high and low frequency sounds at the same time, and uses algorithms to reduce the occurrence of false alarms.
- Two-channel alarm input.
- Cloud update and automatic recovery from update failure.
- The two-way wireless encrypted communication mechanism improves the security and stability of communication.
- With the wireless frequency hopping mechanism, the device automatically hops to other available frequency bands when the original frequency band is being interfered with by other wireless radios, to ensure communication remains stable.

System Overview

The Wireless Glass Break Detector recognizes when different types of glass are breaking, triggering alarms in real time. With its advanced technology, it picks up the low-frequency and high-frequency that glass breaks at, reducing the occurrence of false alarms caused by noise interference from the environment. It also comes with 2 external ports that can connect to third-party wired detectors. When placed in a home or building, it helps protect families and work places from intrusions.

Technical Specification

Port	
Alarm Input	2 (NO/NC)
Microphone	Highly-sensitive omnidirectional microphone
Function	
Button	1 × power button
Remote Update	Cloud update
Low Battery Detection	Yes
Tamper	Yes
Technical	
Detection Range	Max. 9 m (29.53 ft)
Specifications of Glass to be Detected	Glass type: Tempered, double-glazed, laminated, wired, plate and float Glass thickness: 2.4 mm–6.4 mm (0.09"–0.25") Glass size: 0.3 m × 0.3 m to 3 m × 3 m (0.98 ft × 0.98 ft to 9.84 ft × 9.84 ft)
Test Mode	Yes
LED Indicator	1 × green alarm indicator
Scenario	Indoor
Operating Current	45 uA
Alarm Current	50 mA

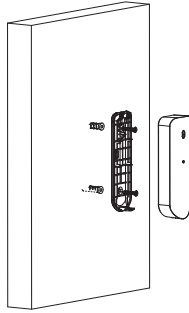
Wireless

Carrier Frequency	868.0 MHz–868.6 MHz
Communication Mechanism	Two-way
Communication Distance	1,600 m (5,249.34 ft)
Encryption Mode	AES128
Frequency Hopping	Yes

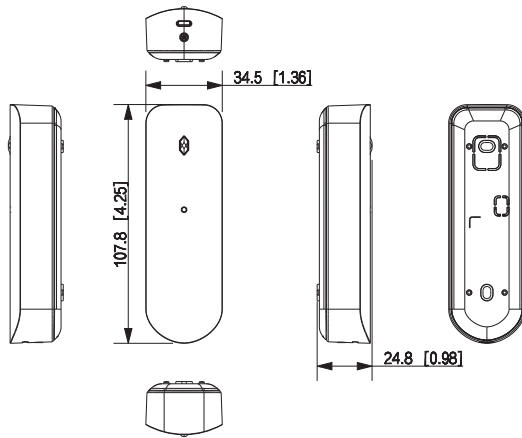
General

Power Supply	1 × CR123A battery
Battery Model	CR123A
Battery Life	3 years (The external input type is NO) 1 year (Both external sensors are enabled, and the input type is NC)
Power Consumption	Max. 150 mW
Operating Temperature	–10 °C to +55 °C (+14 °F to +131 °F) (indoor)
Operating Humidity	10%–90% (RH)
Product Dimensions	107.8 mm × 34.5 mm × 24.8 mm (4.24" × 1.36" × 0.98")
Net Weight	45 g (0.10 lb)
Gross Weight	130 g (0.29 lb)
Installation	Surface mount
Casing Material	PC and ABS
Appearance Color	White
Certifications	CE
Anti-corrosion Level	Basic Protection
Packaging Dimensions	95 mm × 43 mm × 139 mm (3.74" × 1.69" × 5.47")

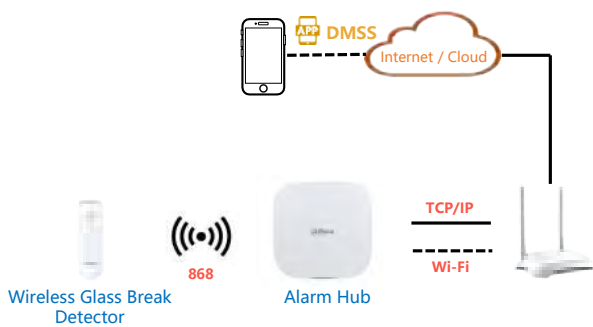
Installation



Dimensions (mm/inch)



Application



DHI-ARD512-W2

Dahua Wireless Glass Break Detector



- Detects when the glass is broken, triggering alarms for different types of glass such as tempered, double-glazed, laminated, wired, plate and float glass.
- Detects high and low frequency sounds at the same time, and uses algorithms to reduce the occurrence of false alarms.
- Two-channel alarm input.
- Cloud update and automatic recovery from update failure.
- The two-way wireless encrypted communication mechanism improves the security and stability of communication.
- With the wireless frequency hopping mechanism, the device automatically hops to other available frequency bands when the original frequency band is being interfered with by other wireless radios, to ensure communication remains stable.

System Overview

The Wireless Glass Break Detector recognizes when different types of glass are breaking, triggering alarms in real time. With its advanced technology, it picks up the low-frequency and high-frequency that glass breaks at, reducing the occurrence of false alarms caused by noise interference from the environment. It also comes with 2 external ports that can connect to third-party wired detectors. When placed in a home or building, it helps protect families and work places from intrusions.

Technical Specification

Port	
Alarm Input	2 (NO/NC)
Microphone	Highly-sensitive omnidirectional microphone
Function	
Button	1 × power button
Remote Update	Cloud update
Low Battery Detection	Yes
Tamper	Yes
Technical	
Detection Range	Max. 9 m (29.53 ft)
Specifications of Glass to be Detected	Glass type: Tempered, double-glazed, laminated, wired, plate and float Glass thickness: 2.4 mm–6.4 mm (0.09"–0.25") Glass size: 0.3 m × 0.3 m to 3 m × 3 m (0.98 ft × 0.98 ft to 9.84 ft × 9.84 ft)
Test Mode	Yes
LED Indicator	1 × green alarm indicator
Scenario	Indoor
Operating Current	45 uA
Alarm Current	50 mA

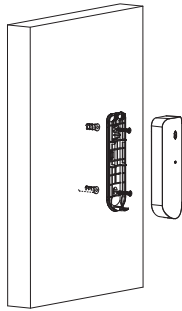
Wireless

Carrier Frequency	433.1 MHz–434.6 MHz
Communication Mechanism	Two-way
Communication Distance	1,200 m (3,937.01 ft)
Encryption Mode	AES128
Frequency Hopping	Yes

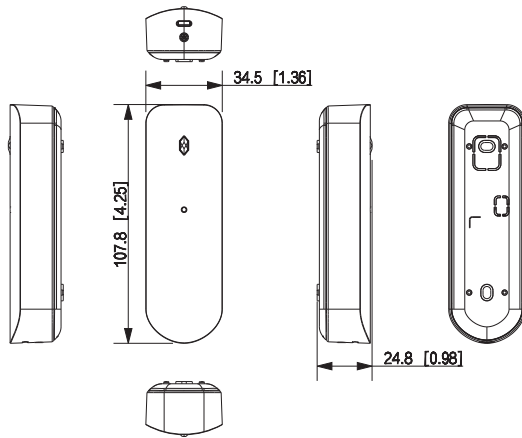
General

Power Supply	1 × CR123A battery
Battery Model	CR123A
Battery Life	3 years (The external input type is NO) 1 year (Both external sensors are enabled, and the input type is NC)
Power Consumption	Max. 150 mW
Operating Temperature	–10 °C to +55 °C (+14 °F to +131 °F) (indoor)
Operating Humidity	10%–90% (RH)
Product Dimensions	107.8 mm × 34.5 mm × 24.8 mm (4.24" × 1.36" × 0.98")
Net Weight	45 g (0.10 lb)
Gross Weight	130 g (0.29 lb)
Installation	Surface mount
Casing Material	PC and ABS
Appearance Color	White
Certifications	CE
Anti-corrosion Level	Basic Protection
Packaging Dimensions	95 mm × 43 mm × 139 mm (3.74" × 1.69" × 5.47")

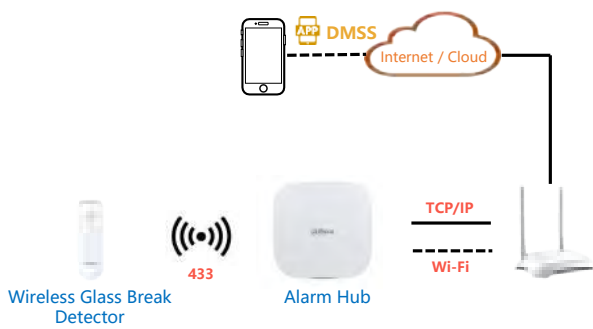
Installation



Dimensions (mm/inch)



Application



DHI-ARD912-W2(868)

Wireless Water Leak Detector



- Frequency hopping and two-way communication technology ensure that communication is stable.
- Supports jamming detection and communication encryption.
- Supports cloud update and automatically restores when cloud update fails.
- Displays the temperature of the surrounding environment and supports the overheating alarm.
- Sensitivity adjustment.

System Overview

Wireless Water Leak Detector can be used to detect water leaks in indoor pipes, baths, sinks, washing machines, and dishwashers. It triggers alarms and sends timely notifications to keep you up to date on ongoing events. Hassle free, it is easy to install and does not require wiring. It also provides communication security, supporting the use of wireless communication with encryption technology.

Technical Specification

Function

Indicator Light	1 for multiple statuses (pairing, power status, and alarm)
Button	Power switch button
Remote Update	Cloud update
Low Battery Detection	Yes
Tamper	No

Technical

Sensor	Water leak detector
Sensitivity	Adjustable
Operating Current	28.5 μ A
Alarm Current	5.8 mA

Wireless

Carrier Frequency	868.0 MHz–868.6 MHz
Communication Mechanism	Two-way
Communication Distance	Up to 1,200 m (3937.01 ft) in an open space
Encryption Mode	AES128
Frequency Hopping	Yes

General

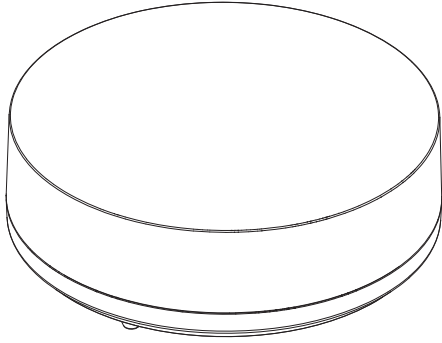
Power Supply	CR123A \times 1
Battery Life	3 years when triggered once a day.
Power Consumption	Max 144 mW
Operating Temperature	Indoor: -10°C to $+55^{\circ}\text{C}$ ($+14^{\circ}\text{F}$ to $+131^{\circ}\text{F}$)
Operating Humidity	10%–90% (RH)
Storage Temperature	-10°C to $+55^{\circ}\text{C}$ ($+14^{\circ}\text{F}$ to $+131^{\circ}\text{F}$)
Storage Humidity	10%–90% (RH)
Product Dimensions	84.7 mm \times 84.7 mm \times 32.5 mm (3.33" \times 3.33" \times 1.28")
Packaging Dimensions	135.0 mm \times 98.0 mm \times 56.0 mm (5.32" \times 3.86" \times 2.20")
Net Weight	0.1 kg (0.22 lb)
Gross Weight	0.2 kg (0.44 lb)
Installation	Plane mount
Casing Material	PC + ABS
Protection	IPX5
Certifications	CE

Ordering Information

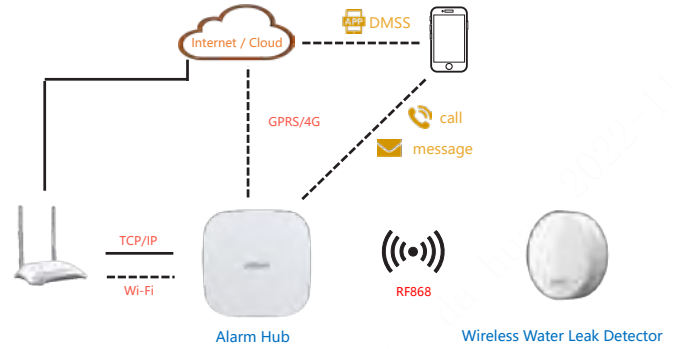
Type	Part Number	Description
Wireless Water Leak Detector	DHI-ARD912-W2(868)	Wireless Water Leak Detector

Wireless Water Leak Detector | DHI-ARD912-W2(868)

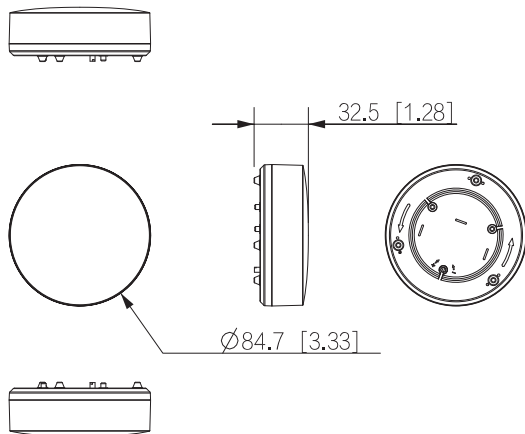
Installation



Application



Dimensions (mm[inch])



DHI-ARD912-W2(868D)

Wireless Water Leak Detector



System Overview

Wireless Water Leak Detector can be used to detect water leaks in indoor pipes, baths, sinks, washing machines, and dishwashers. It triggers alarms and sends timely notifications to keep you up to date on ongoing events. Hassle free, it is easy to install and does not require wiring. It also provides communication security, supporting the use of wireless communication with encryption technology.

Technical Specification

Function

Indicator Light	1 for multiple statuses (pairing, power status, and alarm)
Button	Power switch button
Remote Update	Cloud update
Low Battery Detection	Yes
Tamper	No

Technical

Sensor	Water leak detector
Sensitivity	Adjustable
Operating Current	28.5 μ A
Alarm Current	5.8 mA

Wireless

Carrier Frequency	868.0 MHz–868.6 MHz
Communication Mechanism	Two-way
Communication Distance	Up to 1,200 m (3937.01 ft) in an open space
Encryption Mode	AES128
Frequency Hopping	Yes

- Frequency hopping and two-way communication technology ensure that communication is stable.
- Supports jamming detection and communication encryption.
- Supports cloud update and automatically restores when cloud update fails.
- Displays the temperature of the surrounding environment and supports the overheating alarm.
- Sensitivity adjustment.

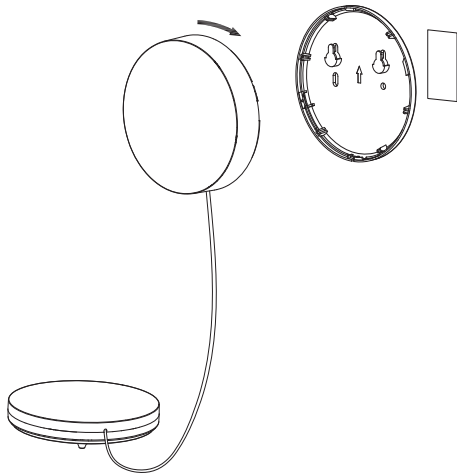
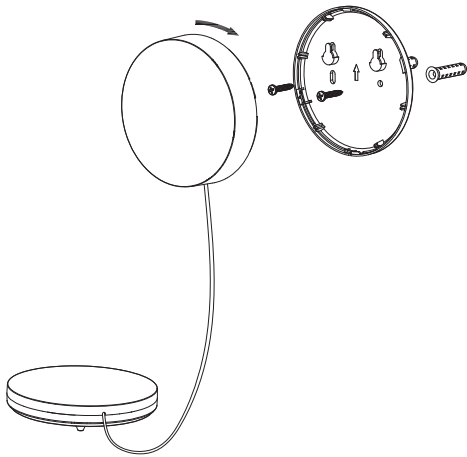
General

Power Supply	CR123A \times 1
Battery Life	3 years when triggered once a day.
Power Consumption	Max 144 mW
Operating Temperature	Indoor: -10°C to $+55^{\circ}\text{C}$ ($+14^{\circ}\text{F}$ to $+131^{\circ}\text{F}$)
Operating Humidity	10%–90% (RH)
Storage Temperature	-10°C to $+55^{\circ}\text{C}$ ($+14^{\circ}\text{F}$ to $+131^{\circ}\text{F}$)
Storage Humidity	10%–90% (RH)
Product Dimensions	84.7 mm \times 84.7 mm \times 32.5 mm (3.33" \times 3.33" \times 1.28")
Packaging Dimensions	135.0 mm \times 98.0 mm \times 56.0 mm (5.32" \times 3.86" \times 2.20")
Net Weight	0.1 kg (0.22 lb)
Gross Weight	0.2 kg (0.44 lb)
Installation	Plane mount, wall mount
Casing Material	PC + ABS
Protection	IPX5
Certifications	CE

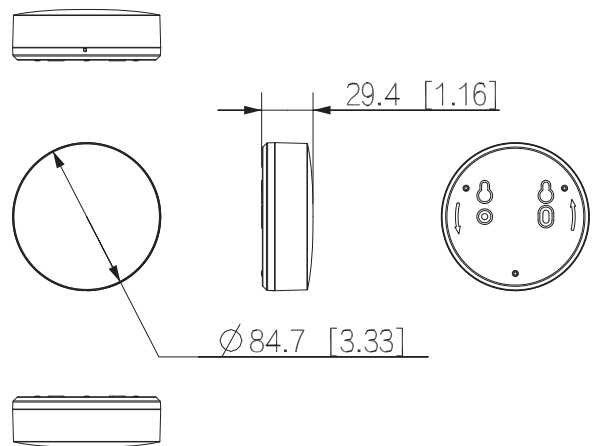
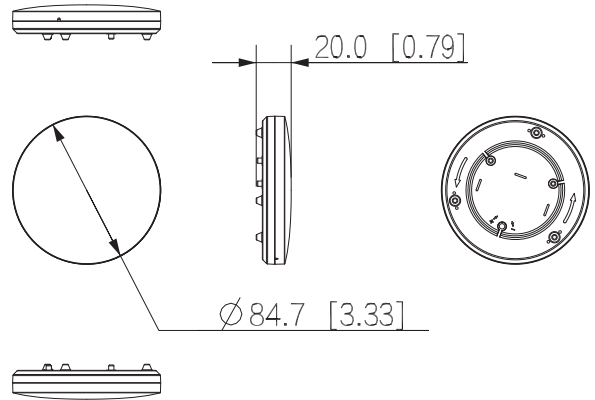
Ordering Information

Type	Part Number	Description
Wireless Water Leak Detector	DHI-ARD912-W2(868D)	Wireless Water Leak Detector

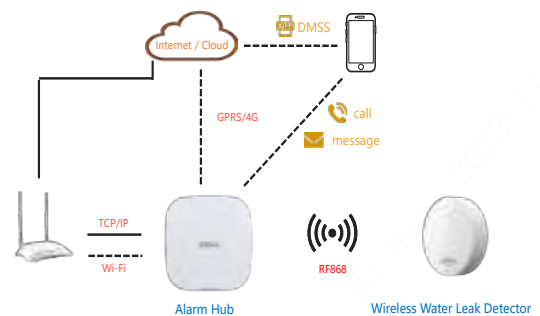
Installation



Dimensions (mm[inch])



Application



DHI-ARD912-W2(D)

Wireless Water Leak Detector



System Overview

Wireless Water Leak Detector can be used to detect water leaks in indoor pipes, baths, sinks, washing machines, and dishwashers. It triggers alarms and sends timely notifications to keep you up to date on ongoing events. Hassle free, it is easy to install and does not require wiring. It also provides communication security, supporting the use of wireless communication with encryption technology.

Technical Specification

Function

Indicator Light	1 for multiple statuses (pairing, power status, and alarm)
Button	Power switch button
Remote Update	Cloud update
Low Battery Detection	Yes
Tamper	No

Technical

Sensor	Water leak detector
Sensitivity	Adjustable
Operating Current	28.5 uA
Alarm Current	5.8 mA

Wireless

Carrier Frequency	433.1 MHz–434.6 MHz
Communication Mechanism	Two-way
Communication Distance	Up to 800 m (2624.67 ft) in an open space
Encryption Mode	AES128
Frequency Hopping	Yes

- Frequency hopping and two-way communication technology ensure that communication is stable.
- Supports jamming detection and communication encryption.
- Supports cloud update and automatically restores when cloud update fails.
- Displays the temperature of the surrounding environment and supports the overheating alarm.
- Sensitivity adjustment.

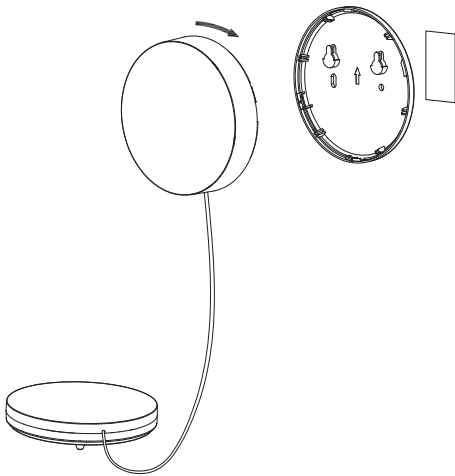
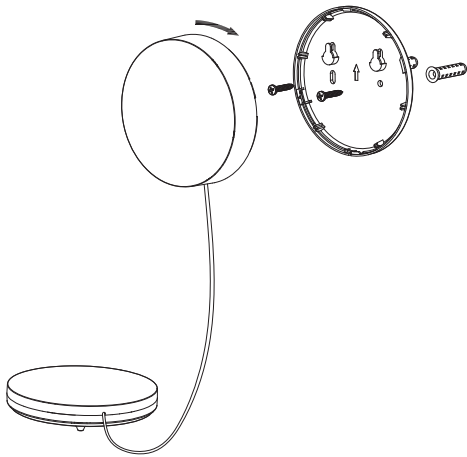
General

Power Supply	CR123A × 1
Battery Life	3 years when triggered once a day.
Power Consumption	Max 144 mW
Operating Temperature	Indoor: -10 °C to +55 °C (+14 °F to +131 °F)
Operating Humidity	10%–90% (RH)
Storage Temperature	-10 °C to +55 °C (+14 °F to +131 °F)
Storage Humidity	10%–90% (RH)
Product Dimensions	84.7 mm × 84.7 mm × 32.5 mm (3.33" × 3.33" × 1.28")
Packaging Dimensions	135.0 mm × 98.0 mm × 56.0 mm (5.32" × 3.86" × 2.20")
Net Weight	0.1 kg (0.22 lb)
Gross Weight	0.2 kg (0.44 lb)
Installation	Plane mount, wall mount
Casing Material	PC + ABS
Protection	IPX5
Certifications	CE, FCC

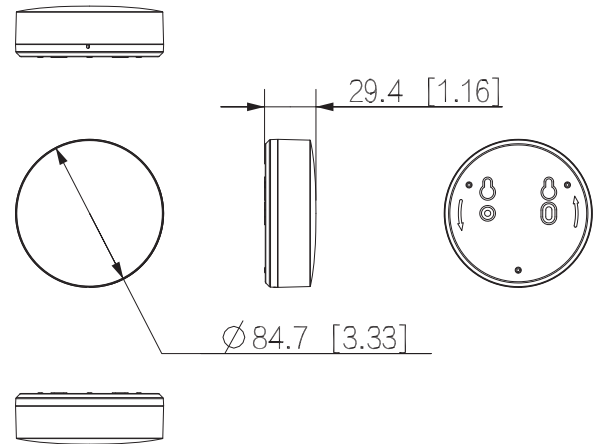
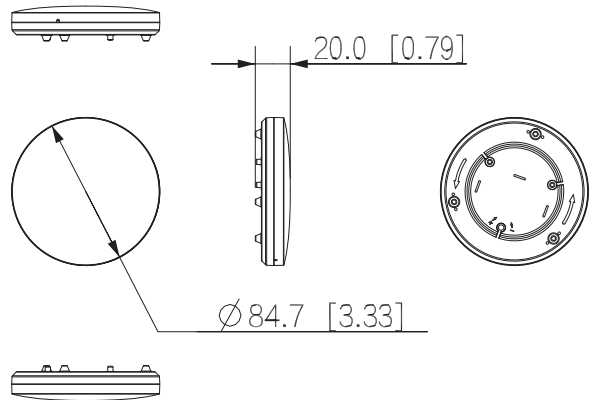
Ordering Information

Type	Part Number	Description
Wireless Water Leak Detector	DHI-ARD912-W2(D)	Wireless Water Leak Detector

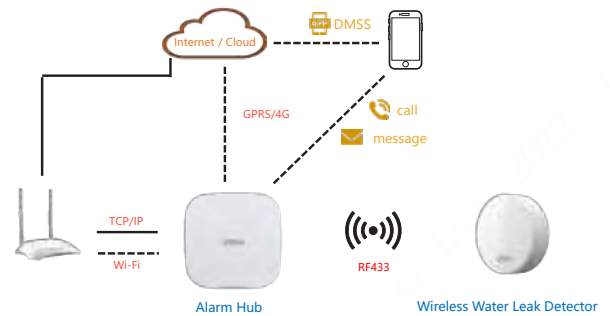
Installation



Dimensions (mm[inch])



Application



DHI-ARD912-W2

Wireless Water Leak Detector



System Overview

Wireless Water Leak Detector can be used to detect water leaks in indoor pipes, baths, sinks, washing machines, and dishwashers. It triggers alarms and sends timely notifications to keep you up to date on ongoing events. Hassle free, it is easy to install and does not require wiring. It also provides communication security, supporting the use of wireless communication with encryption technology.

Technical Specification

Function

Indicator Light	1 for multiple statuses (pairing, power status, and alarm)
Button	Power switch button
Remote Update	Cloud update
Low Battery Detection	Yes
Tamper	No

Technical

Sensor	Water leak detector
Sensitivity	Adjustable
Operating Current	28.5 μ A
Alarm Current	5.8 mA

Wireless

Carrier Frequency	433.1 MHz–434.6 MHz
Communication Mechanism	Two-way
Communication Distance	Up to 800 m (2624.67 ft) in an open space
Encryption Mode	AES128
Frequency Hopping	Yes

- Frequency hopping and two-way communication technology ensure that communication is stable.
- Supports jamming detection and communication encryption.
- Supports cloud update and automatically restores when cloud update fails.
- Displays the temperature of the surrounding environment and supports the overheating alarm.
- Sensitivity adjustment.

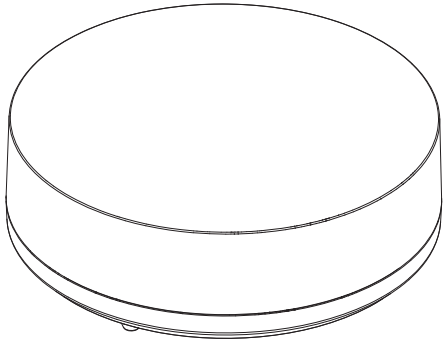
General

Power Supply	CR123A \times 1
Battery Life	3 years when triggered once a day.
Power Consumption	Max 144 mW
Operating Temperature	Indoor: -10°C to $+55^{\circ}\text{C}$ ($+14^{\circ}\text{F}$ to $+131^{\circ}\text{F}$)
Operating Humidity	10%–90% (RH)
Storage Temperature	-10°C to $+55^{\circ}\text{C}$ ($+14^{\circ}\text{F}$ to $+131^{\circ}\text{F}$)
Storage Humidity	10%–90% (RH)
Product Dimensions	84.7 mm \times 84.7 mm \times 32.5 mm (3.33" \times 3.33" \times 1.28")
Packaging Dimensions	135.0 mm \times 98.0 mm \times 56.0 mm (5.32" \times 3.86" \times 2.20")
Net Weight	0.1 kg (0.22 lb)
Gross Weight	0.2 kg (0.44 lb)
Installation	Plane mount
Casing Material	PC + ABS
Protection	IPX5
Certifications	CE, FCC

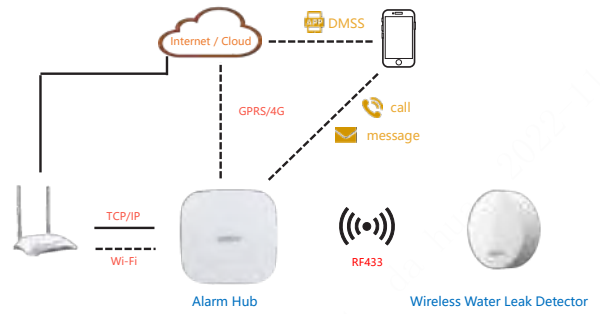
Ordering Information

Type	Part Number	Description
Wireless Water Leak Detector	DHI-ARD912-W2	Wireless Water Leak Detector

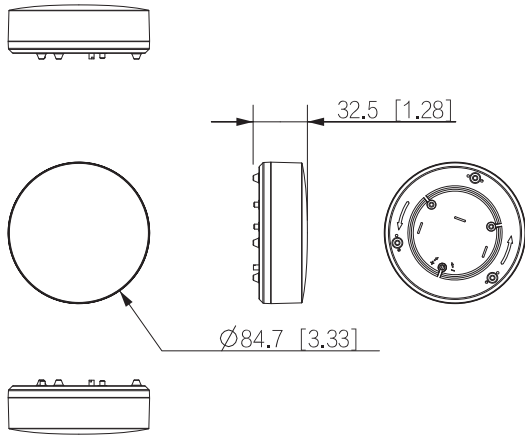
Installation



Application



Dimensions (mm[inch])



DHI-ARD1233-W2(868)

Wireless PIR detector



- Pet immunity function.
- Auto temperature compensation.
- 3-level sensitivity adjustment.
- Signal strength detection.
- Low battery alarm.
- Temperature measurement.
- Frequency hopping function and two-way communication technology ensure communication stability.
- Cloud update and automatic recovery from update failure.

System Overview

Wireless PIR detector is a wireless motion detector that can detect if there is a human moving around the detector. It can detect human or large animals invading the armed area, and provides timely notifications of alarm events, acting as a monitoring mechanism.

Scene

Mainly applied for villas, shops, apartments, etc.

Technical Specification

Port

Indicator Light	1 × green alarm indicator
Button	1 × power button

Function

Tamper Alarm	Yes
Remote Upgrade	Cloud update
Search	Signal strength detection
Test Mode	Yes
Low Battery Alarm	Yes

Wireless

Carrier Frequency	868.0 MHz–868.6 MHz
Communication Distance	Up to 1,600 m (5,249.34 ft) in an open space
Communication Mechanism	Two-way
Encryption Mode	AES128

Frequency Hopping	Yes
-------------------	-----

General

Power Supply	CR123A battery
Power Consumption	Max. 120 mW
Operating Temperature	−10 °C to +55 °C (+14 °F to +131 °F) (indoor)
Operating Humidity	10%–90% (RH).
Dimensions	104.0 mm × 60.0 mm × 50.0 mm (4.09" × 2.36" × 1.97") (L × W × H)
Package Dimensions	135.0 mm × 98.5 mm × 56.8 mm (5.31" × 3.88" × 2.24") (L × W × H)
Installation Mode	Wall mount
Net Weight	100 g (0.22 lb)
Gross Weight	170 g (0.37 lb)
Certifications	CE
Battery Life	4 years
Casing	PC + ABS

Temperature

Measuring Range	−15 °C to +65 °C (+18.8 °F to +149 °F) (indoor)
Measuring Precision	± 1 °C (± 33.8 °F)
Resolution	1 °C (33.8 °F)

Specification

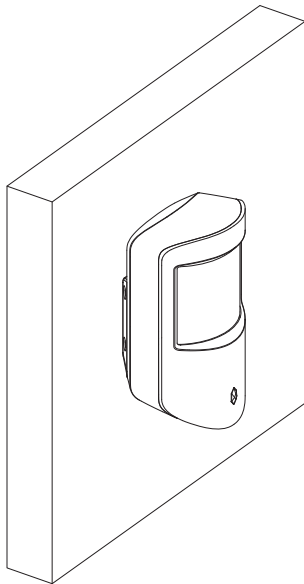
Detection Mode	PIR
Sensor	Dual-element low-noise PIR sensor

Detection Range	12 m (39.37 ft) (90°) with installation height of 2.2 m (7.21 ft)
Detection Speed	0.3 m/s–3 m/s (0.98 ft/s–9.84 ft/s)
Pet Immunity Level	≤ 18 kg (39.68 lb)
White Light Resistance Level	2000 lx
Two-way Digital Temperature Compensation	Yes, no attenuation of detection distance in high temperature
Sensitivity	3 levels adjustable

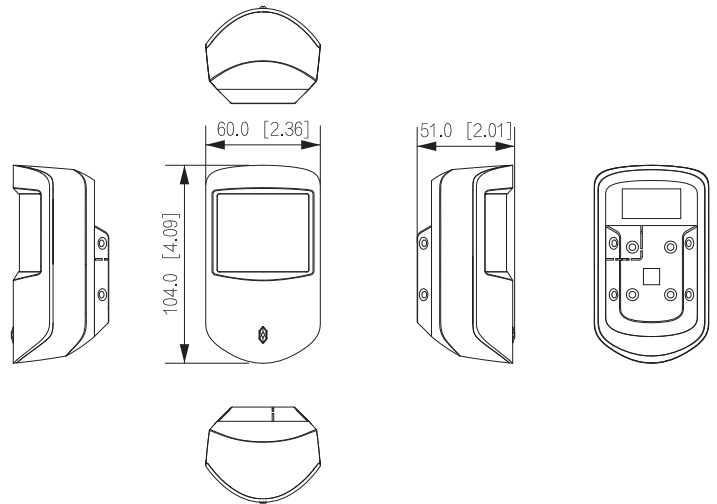
Ordering Information

Type	Part Number	Description
Wireless PIR detector	DHI-ARD1233-W2(868)	Wireless PIR detector

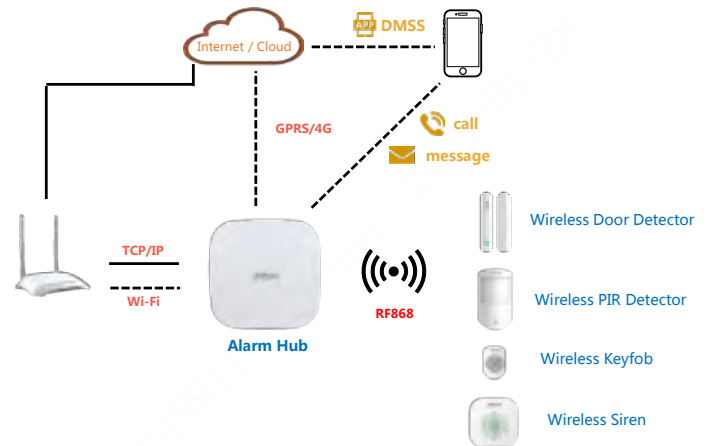
Installation



Dimensions (mm[inch])



Application



DHI-ARD1233-W2

Wireless PIR detector



- Pet immunity function.
- Auto temperature compensation.
- 3-level sensitivity adjustment.
- Low battery alarm.
- Anti-tampering.
- Temperature measurement.
- Frequency hopping function and two-way communication technology ensure communication stability.
- Cloud update and automatic recovery from update failure.

System Overview

Wireless PIR detector is a wireless motion detector that can detect if there is a human moving around the detector. It can detect human or large animals invading the armed area, and provides timely notifications of alarm events, acting as a monitoring mechanism.

Scene

Mainly applied for villas, shops, apartments, etc.

Technical Specification

Port

Indicator Light	1 × green alarm indicator
Button	1 × power button

Function

Tamper Alarm	Yes
Remote Upgrade	Cloud update
Search	Signal strength detection
Test Mode	Yes
Low Battery Alarm	Yes

Wireless

Carrier Frequency	433.1 MHz–434.6 MHz
Communication Distance	Up to 1,200 m (3,937.01 ft) in an open space
Communication Mechanism	Two-way
Encryption Mode	AES128

Frequency Hopping	Yes
-------------------	-----

General

Power Supply	CR123A battery
Power Consumption	Max. 75 mW
Operating Temperature	−10 °C to +55 °C (+14 °F to +131 °F) (indoor)
Operating Humidity	10%–90% (RH).
Product Dimensions	104.0 mm × 60.0 mm × 50.0 mm (4.09" × 2.36" × 1.97") (L × W × H)
Packaging Dimensions	135.0 mm × 98.5 mm × 56.8 mm (5.31" × 3.88" × 2.24") (L × W × H)
Installation	Wall mount
Net Weight	100 g (0.22 lb)
Gross Weight	170 g (0.37 lb)
Certifications	CE
Battery Life	4 years
Casing	PC + ABS

Temperature

Measuring Range	−15 °C to +65 °C (+18.8 °F to +149 °F) (indoor)
Measuring Precision	± 1 °C (± 33.8 °F)
Resolution	1 °C (33.8 °F)

Specification

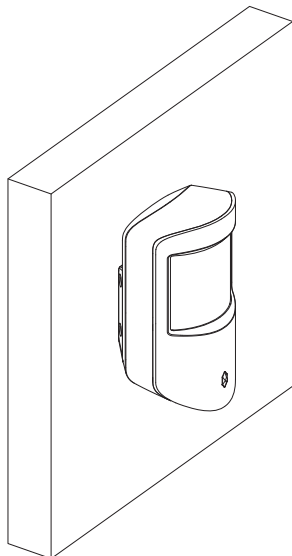
Detection Mode	PIR
Sensor	Dual-element low-noise PIR sensor

Detection Range	12 m (39.37 ft) (90°) with installation height of 2.2 m (7.21 ft)
Detection Speed	0.3 m/s–3 m/s (0.98 ft/s–9.84 ft/s)
Pet Alarm Level	≤ 18 kg (39.68 lb)
Pet Immunity Level	2000 lx
Two-way Digital Temperature Compensation	Yes, no attenuation of detection distance in high temperature
Sensitivity	3 levels adjustable

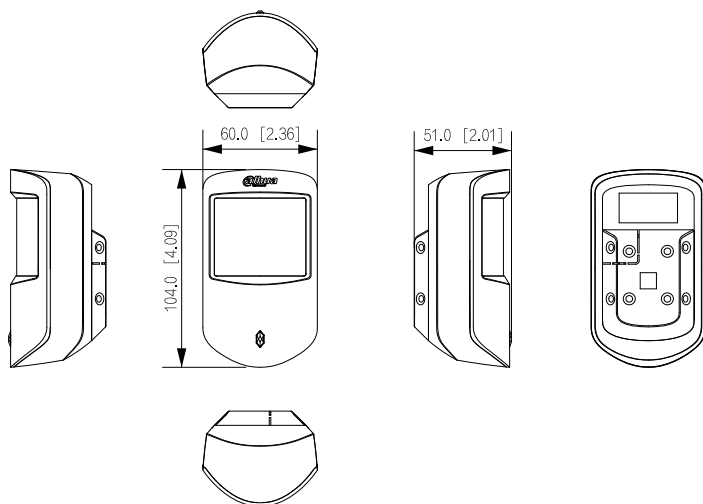
Ordering Information

Type	Model	Description
Wireless PIR detector	DHI-ARD1233-W2	Wireless PIR detector

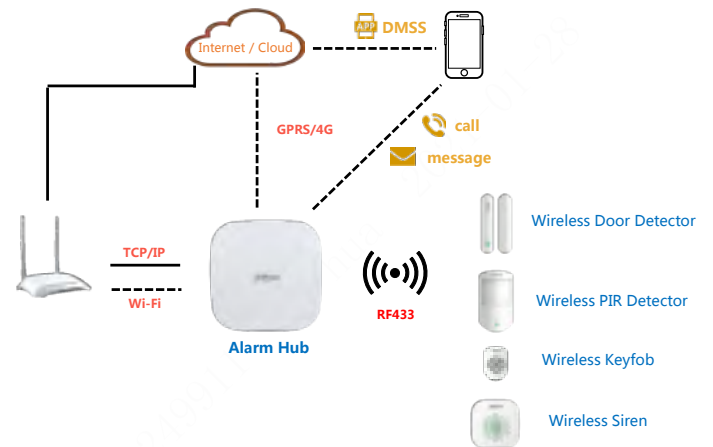
Installation



Dimensions (mm[inch])



Application



DHI-ARD1611-W

Wireless Curtain PIR Detector



Features

- 10m/15° detecting range/angle
- Bi-directional communication
- Up to 700m transmission distance (open space/no interference)
- Built-in tamper switch
- Ceiling/Wall mount, 2.2~2.5m installation height
- Two level (sensitivity)
- 3 years battery life
- ABS plastic

Technical Specifications

Model	DHI-ARD1611-W
Name	Wireless Curtain PIR Detector
Detection	Passive infrared
Detection Range	10m, 15°
Alarm prompt	Notification LED light, can be set to switch off
Sensitivity	Two level (jumper switch)
Wireless Frequency	433MHz
Transmit power	10dBm
Transmit distance	700m (open area/no interference)
Resistance light	6500LUX
Tamper	Unit protection and leaving-wall protection
Power	1xCR123A battery, 3V 40mA
Working environment	-10°C~+50°C, humidity <95°
Overall dimensions\weight	99mmx52mmx35mm\ 0.1kg
Installation height	Ceiling/Wall mount, 2.2-2.5m

DHI-ARD1611-W

Product Appearance

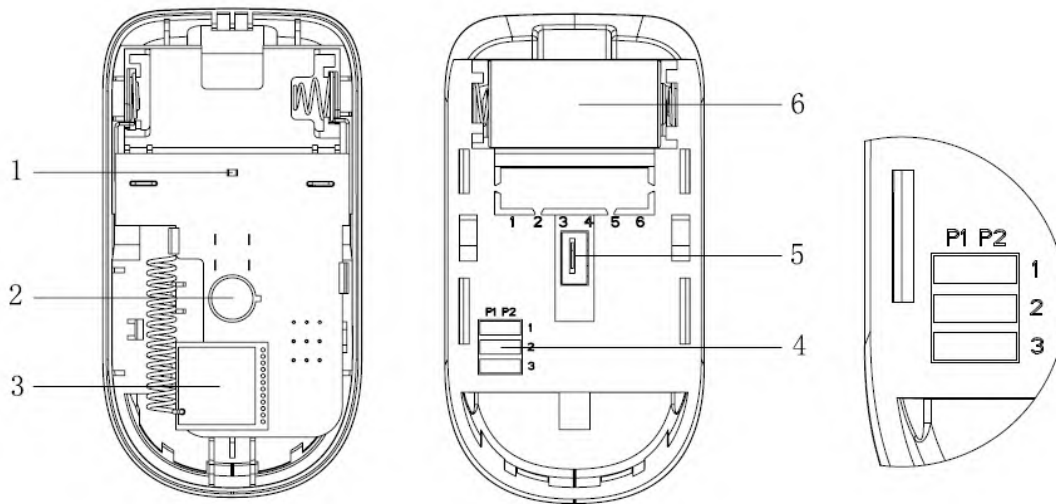
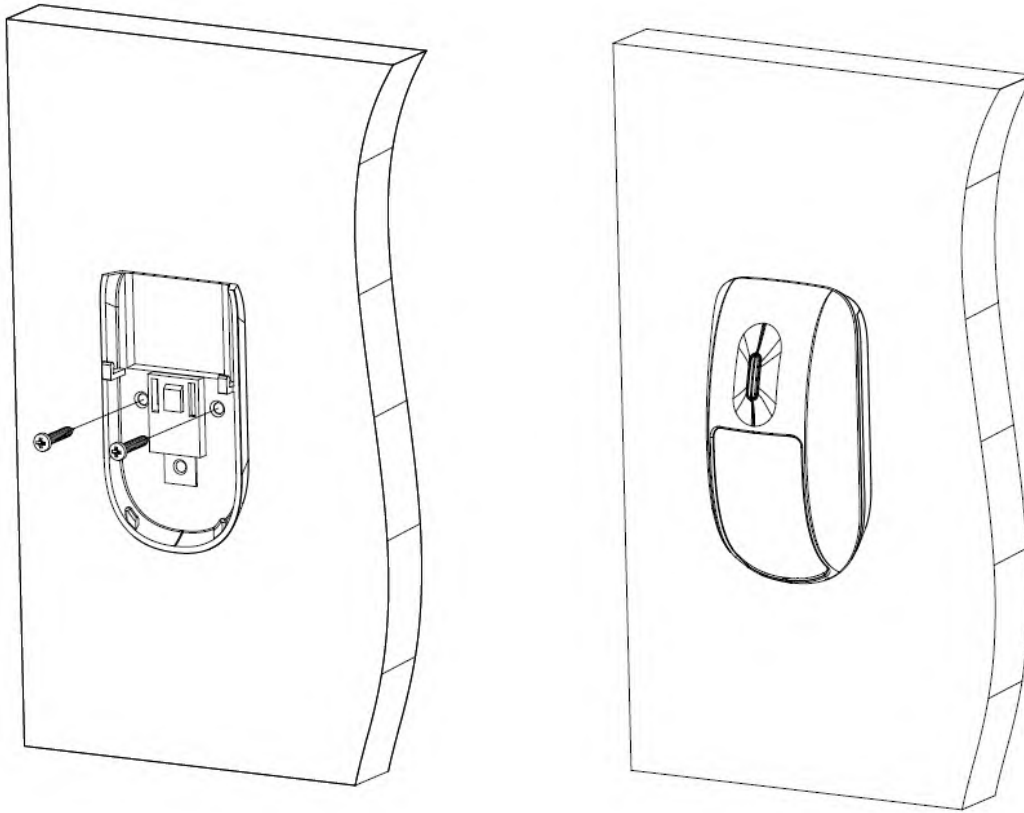


Figure 3- 1

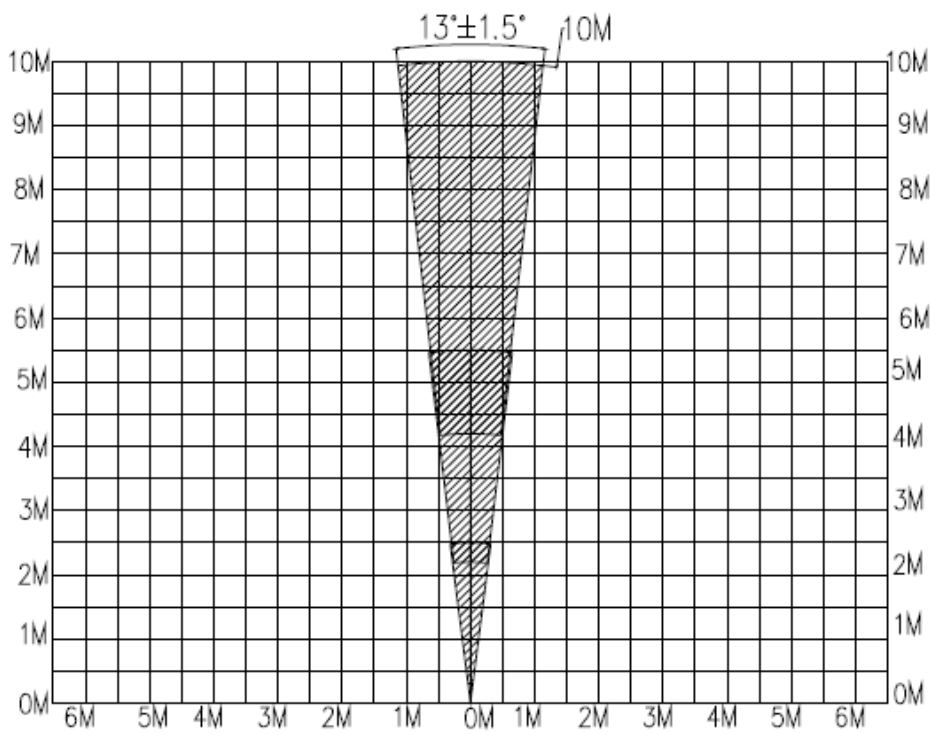
No.	Note
1	● Led
2	● Heat release IR sensor
3	● Wireless module
4	● Jumper cap
5	● Vandal-proof switch
6	● Lithium battery

DHI-ARD1611-W

Installation and detecting range



The detector has a detectable range, the top view is in Figure 5- 1. Detection angle is horizontal 15°.



DHI-ARD1611-W

Figure 5- 1

The side view of detectable range is in Figure 5- 2. Max detectable distance is 10 meters and min detectable distance is 1 meter.

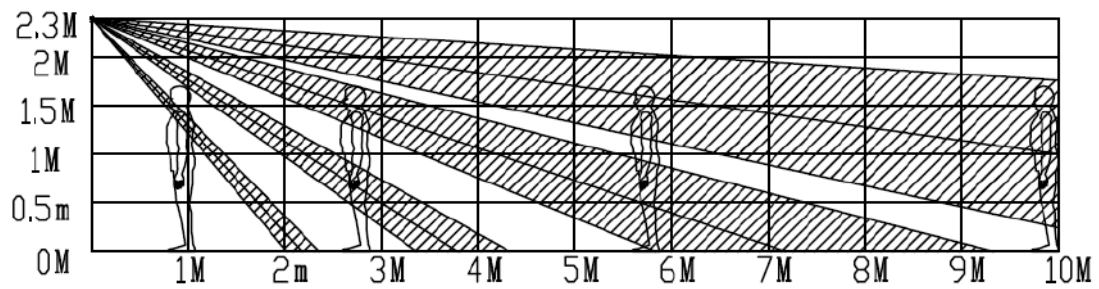


Figure 5- 2

DHI-ARD1731-W2(868)

Wireless PIR-Camera



- Maximum resolution 1600*1200.
- Based on the RF-HD image transmission technology, transmission of 6 HD images with resolution of 1600*1200 needs up to 10 seconds.
- One-week cloud cache for videos and images.
- Temperature monitoring.
- Offers frequency hopping and two-way communication technology, ensuring the stability of communication.
- Cloud update and automatic recovery from update failure.

System Overview

With its built-in 2 MP CMOS image sensor, PIR-Camera captures high-definition snapshots when it detects intrusions, transmitting them to the alarm hub, where they are then sent to the mobile app or alarm center (CMS/ARC) for you to perform visual alarm verification. The camera harnesses 2.4G RF-HD transmission technology to improve the resolution of images and the speed they are transmitted at. Built to keep you safe, the camera actively protects your privacy by only taking snapshots when an intrusion occurs.

Scene

Wireless PIR-Camera is ideal for use in villas, apartments and office buildings.

Technical Specification

Video

Field of View	88° (H); 68° (V)
Image Type	JPEG
Resolution	1600 × 1200; 1280 × 960; 640 × 480; 320 × 240
Frame Rate	2
Illumination Mode	Infrared Light
Illumination Range	12 m (39.37 ft)
Day/Night Switch	Color/Black & White

Function

Indicator Light	1 × green alarm indicator
Button	1 × power switch
Remote Update	Cloud update
Low Battery Detection	Yes
Battery Level Display	Yes

Tamper	Tamper alarm
Signal Strength	RF Signal test RF-HD signal test

Technical

Detection Mode	PIR
Sensitivity	3 levels adjustable
Detection Range	12 m (39.37 ft) (86°) with installation height of 2.2 m (7.22 ft)
Detection Speed	0.3 m/s–3 m/s (0.98 ft/s–9.84 ft/s)
Pet Immunity Level	≤18 kg (39.68 lb)
White Light Resistance Level	2000 lux
Two-way Digital Temperature Compensation	Yes
Scenario	Indoor
Operating Current	65 μA
Alarm Current	Day: 170 mA (Avg); 800 mA (Max) Night: 230 mA (Avg); 2.8 A (Max)

Wireless

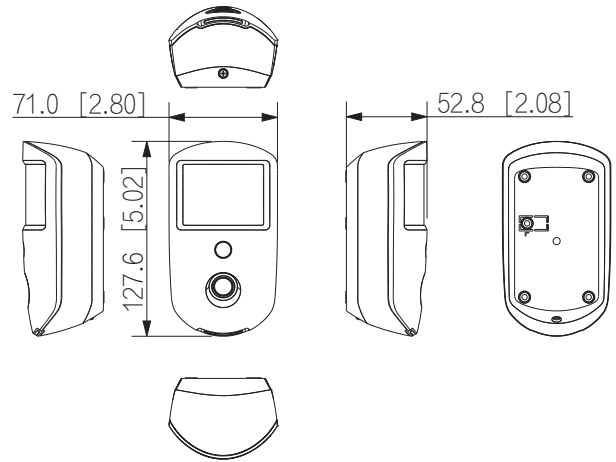
Carrier Frequency	RF: 868.0 MHz–868.6 MHz RF-HD: 2.4GHz
Communication Distance	RF: Up to 1,600 m (5,249.34 ft) in an open space RF-HD: Up to 300 m (984.25 ft) in an open space
Communication Mechanism	Two-way
Frequency Hopping	Yes
Encryption Mode	AES128

General

Power Supply	CR123A*3
Battery Life	4 years (if triggered twice a week with a battery efficiency of 70%)

Operating Temperature	-10 °C to +55 °C (+14 °F to +131 °F) (indoor)
Operating Humidity	10%–90% (RH)
Product Dimensions	127.6 mm × 71.0 mm × 53.2 mm (5.02" × 2.80" × 2.09")
Packaging Dimensions	121.0 mm × 65.0 mm × 170.0 mm (4.76" × 2.56" × 6.69")
Net Weight	202 g (0.45 lb)
Gross Weight	333 g (0.73 lb)
Installation	Wall mount
Casing	PC + ABS
Certifications	CE

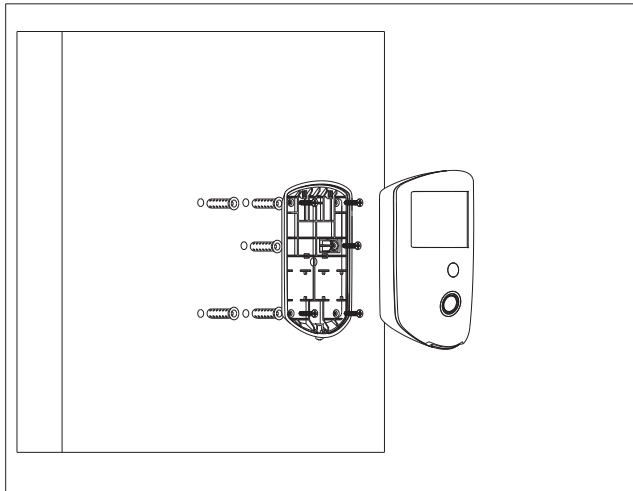
Dimensions (mm[inch])



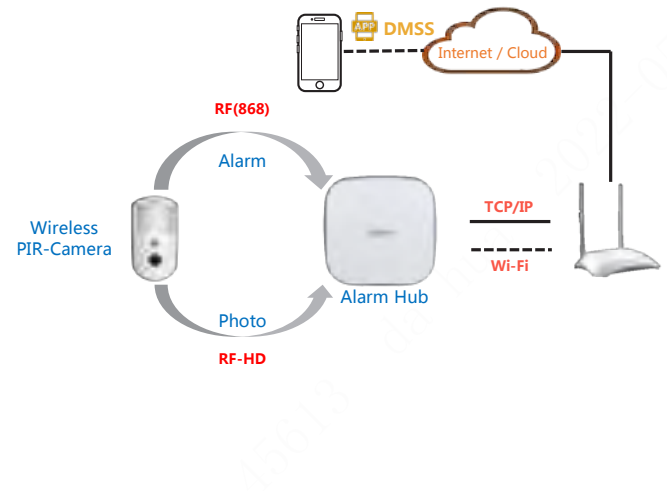
Ordering Information

Type	Model	Description
Wireless PIR-Camera	DHI-ARD1731-W2(868)	Wireless PIR-Camera

Installation



Application



DHI-ARD1731-W2

Wireless PIR-Camera



System Overview

With its built-in 2 MP CMOS image sensor, PIR-Camera captures high-definition snapshots when it detects intrusions, transmitting them to the alarm hub, where they are then sent to the mobile app or alarm center (CMS/ARC) for you to perform visual alarm verification. The camera harnesses 2.4G RF-HD transmission technology to improve the resolution of images and the speed they are transmitted at. Built to keep you safe, the camera actively protects your privacy by only taking snapshots when an intrusion occurs.

Scene

Wireless PIR-Camera is ideal for use in villas, apartments and office buildings.

Technical Specification

Video

Field of View	88° (H);68° (V)
Image Type	JPEG
Resolution	1600 × 1200; 1280 × 960; 640 × 480; 320 × 240
Frame Rate	2
Illumination Mode	Infrared Light
Illumination Range	12 m (39.37 ft)
Day/Night Switch	Color/Black & White

Function

Indicator Light	1 × green alarm indicator
Button	1 × power switch
Remote Update	Cloud update
Low Battery Detection	Yes
Battery Level Display	Yes

- Maximum resolution 1600*1200.
- Based on the RF-HD image transmission technology, transmission of 6 HD images with resolution of 1600*1200 needs up to 10 seconds.
- One-week cloud cache for videos and images.
- Temperature monitoring.
- Offers frequency hopping and two-way communication technology, ensuring the stability of communication.
- Cloud update and automatic recovery from update failure.

Tamper	Tamper alarm
Signal Strength	RF Signal test RF-HD signal test

Technical

Detection Mode	PIR
Sensitivity	3 levels adjustable
Detection Range	12 m (39.37 ft) (86°) with installation height of 2.2 m (7.22 ft)
Detection Speed	0.3 m/s–3 m/s (0.98 ft/s–9.84 ft/s)
Pet Immunity Level	≤18 kg (39.68 lb)
White Light Resistance Level	2000 lux
Two-way Digital Temperature Compensation	Yes
Scenario	Indoor
Operating Current	65 μA
Alarm Current	Day: 170 mA (Avg); 800 mA (Max) Night: 230 mA (Avg); 2.8 A (Max)

Wireless

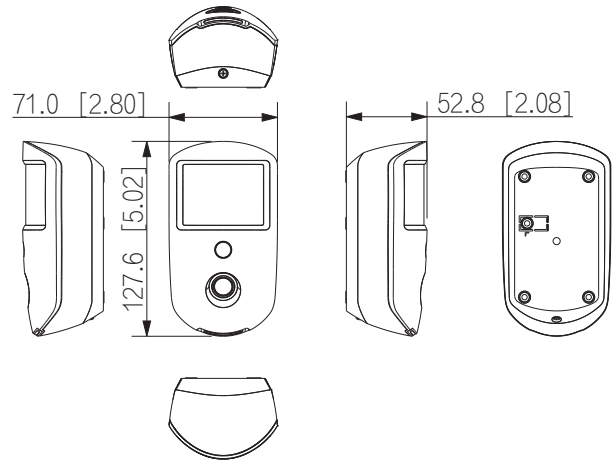
Carrier Frequency	RF:433.1 MHz–434.6 MHz RF-HD:2.4GHz
Communication Distance	RF: Up to 1,200 m (3,937.01 ft) in an open space RF-HD: Up to 300 m (984.25 ft) in an open space
Communication Mechanism	Two-way
Frequency Hopping	Yes
Encryption Mode	AES128

General

Power Supply	CR123A*3
Battery Life	4 years (if triggered twice a week with a battery efficiency of 70%)

Operating Temperature	-10 °C to +55 °C (+14 °F to +131 °F) (indoor)
Operating Humidity	10%–90% (RH)
Product Dimensions	127.6 mm × 71.0 mm × 53.2 mm (5.02" × 2.80" × 2.09")
Packaging Dimensions	121.0 mm × 65.0 mm × 170.0 mm (4.76" × 2.56" × 6.69")
Net Weight	202 g (0.45 lb)
Gross Weight	333 g (0.73 lb)
Installation	Wall mount
Casing	PC + ABS
Certifications	CE; FCC

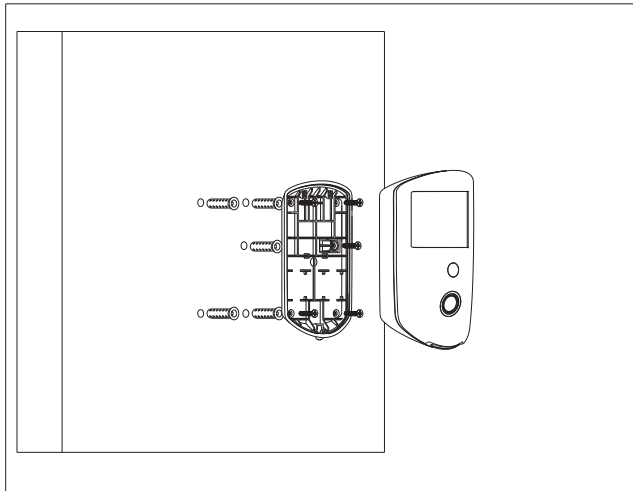
Dimensions (mm[inch])



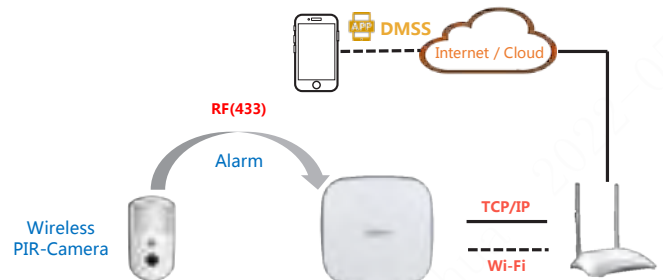
Ordering Information

Type	Model	Description
Wireless PIR-Camera	DHI-ARD1731-W2	Wireless PIR-Camera

Installation



Application



DHI-ARD2231-W2(868)

Wireless Dual-Tech Detector



System Overview

Wireless Dual-Tech Detector is an indoor detector that detects human motion. Using passive IR and microwave detection technologies, the device detects the movement of persons and senses when they have entered the detection area. Through these technologies, false detections caused by thermal interference are also greatly reduced. The device is easy to install and use, and can be directly configured on the app.

Technical Specification

Function

Indicator Light	1 × green alarm indicator
Button	1 × power switch
Remote Update	Cloud update
Low Battery Detection	Yes
Tamper	Yes
Measuring Range (Temperature)	Indoor: -15 °C to +65 °C (+5 °F to +149 °F)
Measuring Accuracy	±1 °C (±1.8 °F)

Technical

Sensor	Dual-element low-noise PIR sensor, microwave sensor
Detection Mode	PIR + Microwave
Sensitivity	3 levels adjustable
Detection Range	12 m (39.37 ft) (90°) with installation height of 2.2 m (7.21 ft)
Detection Speed	0.3 m/s–3 m/s (0.98 ft/s–9.84 ft/s)
Microwave Frequency	24 G
Pet Immunity Level	≤ 18 kg (39.68 lb), height < 50 cm (19.68 ft)

- Pet immunity function.
- Auto temperature compensation.
- 3-level sensitivity adjustment.
- Displays the temperature of the surrounding environment and supports the overheating alarm.
- Frequency hopping and two-way communication technology ensure that communication is stable.
- Supports cloud update and automatically restores when cloud update fails.
- PIR and microwave motion detection.
- Supports jamming detection and communication encryption.

White Light Resistance Level	2000 lux
Two-way Digital Temperature Compensation	Yes, no attenuation of detection distance in high temperature.
Test Mode	Yes
Operating Current	11 uA
Alarm Current	71 mA

Wireless

Carrier Frequency	868.0 MHz–868.6 MHz
Communication Mechanism	Two-way
Communication Distance	Up to 1,600 m (5,249.34 ft) in an open space
Encryption Mode	AES128
Frequency Hopping	Yes

General

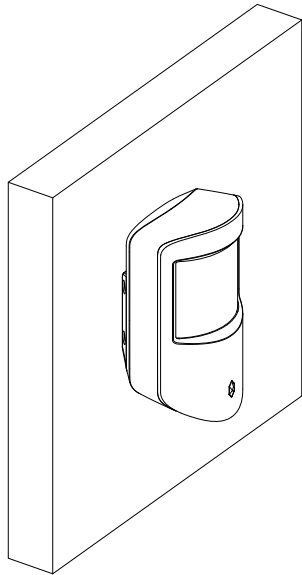
Power Supply	CR123A × 1
Battery Life	3 years (If triggered 10 times a day with a battery efficiency of 70%)
Power Consumption	Max. 615 mW
Operating Temperature	Indoor: -10 °C to +55 °C (+14 °F to +131 °F) Certified temperature: -10 °C to +40 °C (+14 °F to +104 °F)
Operating Humidity	10%–90% (RH)
Product Dimensions	104.0 mm × 60.0 mm × 50.0 mm (4.09" × 2.36" × 1.97")
Packaging Dimensions	135.0 mm × 98.5 mm × 56.8 mm (5.31" × 3.88" × 2.24")
Net Weight	106 g (0.23 lb)
Gross Weight	184 g (0.41 lb)

Wireless Dual-Tech Detector | DHI-ARD2231-W2(868)

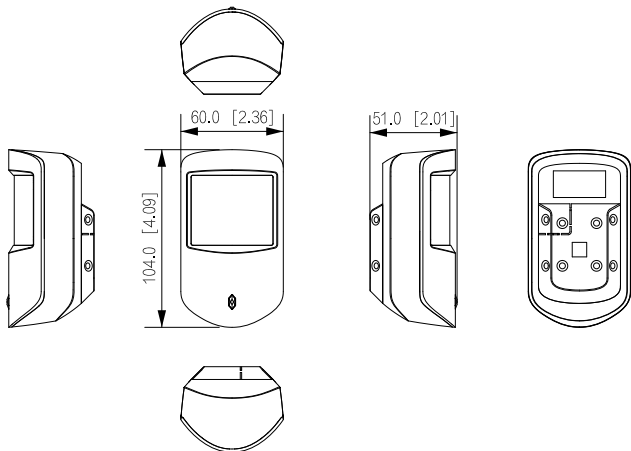
Installation	Wall mount, Ceiling mount (With the bracket ARA33)
Casing Material	PC + ABS
Certifications	CE

Ordering Information		
Type	Part Number	Description
Wireless Dual-Tech Detector	DHI-ARD2231-W2(868)	Wireless Dual-Tech Detector

Installation

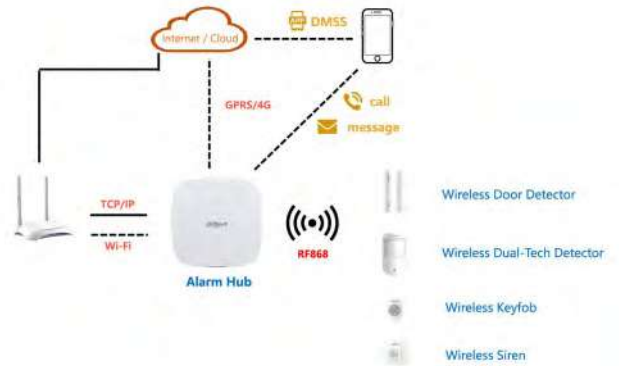


Dimensions (mm[inch])



Rev 002.000 © 2023 Dahua. All rights reserved. Design and specifications are subject to change without notice. The images, specifications and information mentioned in the document are only for reference, and might differ from the actual product.

Application



DHI-ARD2231-W2

Wireless Dual-Tech Detector



System Overview

Wireless Dual-Tech Detector is an indoor detector that detects human motion. Using passive IR and microwave detection technologies, the device detects the movement of persons and senses when they have entered the detection area. Through these technologies, false detections caused by thermal interference are also greatly reduced. The device is easy to install and use, and can be directly configured on the app.

Technical Specification

Function

Indicator Light	1 × green alarm indicator
Button	1 × power switch
Remote Update	Cloud update
Low Battery Detection	Yes
Tamper	Yes
Measuring Range (Temperature)	Indoor: -15 °C to +65 °C (+5 °F to +149 °F)
Measuring Accuracy	±1 °C (±1.8 °F)

Technical

Sensor	Dual-element low-noise PIR sensor, microwave sensor
Detection Mode	PIR + Microwave
Sensitivity	3 levels adjustable
Detection Range	12 m (39.37 ft) (90°) with installation height of 2.2 m (7.21 ft)
Detection Speed	0.3 m/s–3 m/s (0.98 ft/s–9.84 ft/s)
Microwave Frequency	24 G
Pet Immunity Level	≤ 18 kg (39.68 lb), height < 50 cm (19.68 ft)
White Light Resistance Level	2000 lux

- Pet immunity function.
- Auto temperature compensation.
- 3-level sensitivity adjustment.
- Displays the temperature of the surrounding environment and supports the overheating alarm.
- Frequency hopping and two-way communication technology ensure that communication is stable.
- Supports cloud update and automatically restores when cloud update fails.
- PIR and microwave motion detection.
- Supports jamming detection and communication encryption.

Two-way Digital Temperature Compensation	Yes, no attenuation of detection distance in high temperature.
Test Mode	Yes
Operating Current	11 uA
Alarm Current	69 mA

Wireless

Carrier Frequency	433.1 MHz–434.6 MHz
Communication Mechanism	Two-way
Communication Distance	Up to 1,200 m (3937.01 ft) in an open space
Encryption Mode	AES128
Frequency Hopping	Yes

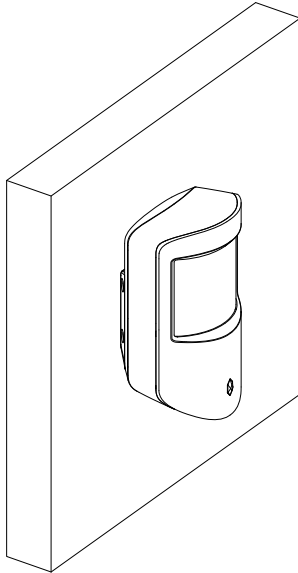
General

Power Supply	CR123A × 1
Battery Life	3 years (If triggered 10 times a day with a battery efficiency of 70%)
Power Consumption	Max. 640 mW
Operating Temperature	Indoor: -10 °C to +55 °C (+14 °F to +131 °F) Certified temperature: -10 °C to +40 °C (+14 °F to +104 °F)
Operating Humidity	10%–90% (RH)
Product Dimensions	104.0 mm × 60.0 mm × 50.0 mm (4.09" × 2.36" × 1.97")
Packaging Dimensions	135.0 mm × 98.5 mm × 56.8 mm (5.31" × 3.88" × 2.24")
Net Weight	106 g (0.23 lb)
Gross Weight	184 g (0.41 lb)
Installation	Wall mount, Ceiling mount (With the bracket ARA33)
Casing Material	PC + ABS
Certifications	CE FCC

Ordering Information

Type	Part Number	Description
Wireless Dual-Tech Detector	DHI-ARD2231-W2	Wireless Dual-Tech Detector

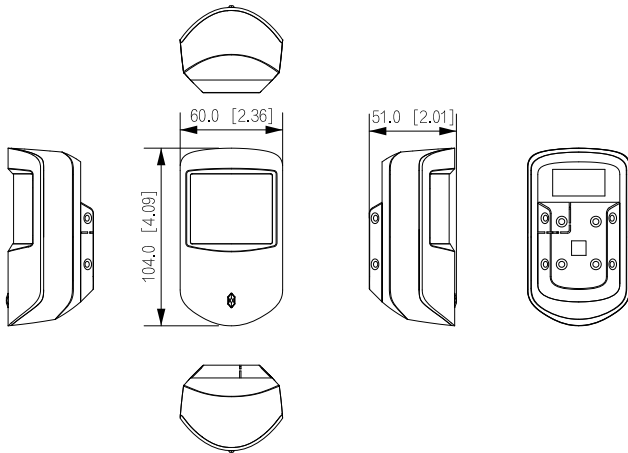
Installation



Application



Dimensions (mm[inch])



DHI-HY-SA21A-W2(868)

Wireless Smoke Alarm



- Split-spectrum sensor technology
- Test and silence features in one single button
- Loud sound output over 85 dB(A) at 3 meters
- Low quiescent current consumption
- Surface-mount device (SMD) circuit board design
- Low battery warning signal

System Overview

Dahua Wireless Smoke Alarm provides battery-powered smoke detection and alarm functions within a single unit. Advanced electronics in conjunction with a photoelectric smoke sensing chamber provide early detection of smoke and high immunity against unwanted alarms. This kind of smoke alarm does not require a mains supply and is suitable for general residential applications. Timely notification of the smoke alarm can be displayed on DMSS App in real time.

Scene

Mainly applied for villas, shops, apartments, etc.

Technical Specification

Working Principle

Collection Type	Smoke
Sampling Period	10 s
Sensor Type	Photoelectric

Alarm

Alarm Type	Smoke alarm, fault alarm, low battery warning
Alarm Volume	85dB–90dB(A) at 3 m (9.84 ft)
Alarm Mode	Visual and audible alarm
Silence Function	Yes
Silence Duration	About 12 min
Alarm Response Threshold	0.2 dB/m - 0.3 dB/m

Technical Specification

Basic Parameters

Indicator Light	Red and green LED indicator
Led Instructions	Standby: Green indicator flashes once per minute Alarm: Red indicator flashes once per second Fault: Red indicator flashes once per minute Low battery warning: Red indicator flashes once per minute
Coverage Area	When the height of the space is less than 8 m (3.28 ft), the protection area of a device is 20 m ² –40 m ²

Power Supply

Battery Life	3 year
Operating Voltage	3V CR123A lithium battery (replaceable)
Operating Current	Monitoring current: ≤ 35uA Alarm current: ≤ 35mA

Operating Ambient

Operating Environment	Indoor
Operating Temperature	-10°C to +55°C (+14°F to +131°F)
Operating Humidity	≤ 95% RH (non condensing)

Appearance

Color	White
Casing	ABS
Dimensions	φ98mm × H43.1mm (φ3.85" × H1.70")
Weight	140 g (0.30 lb)
Installation	Ceiling Mount

Certifications

Certifications	TÜV and CE listed
Compliance Standard	EN 14604:2005+AC:2008

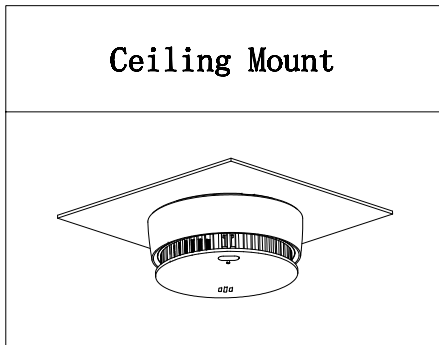
Wireless

Carrier Frequency	868 MHz–868.3 MHz
Communication Distance	Up to 1000 m (3280.84 ft) in an open space
Communication Mechanism	Two-way
Frequency Hopping	Yes
Encryption Mode	AES128

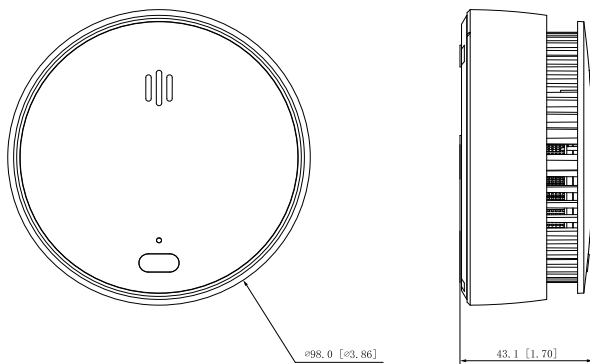
Ordering Information

Type	Part Number	Description
Smoke Alarm	DHI-HY-SA21A-W2(868)	Wireless Smoke Alarm

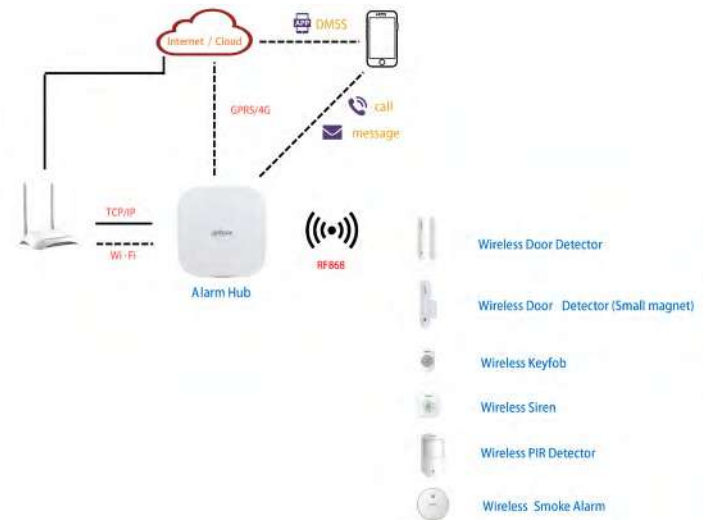
Installation



Dimensions (mm[inch])



Application



DHI-HY-SA21A-W2

Wireless Smoke Alarm



- Split-spectrum sensor technology
- Test and silence features in one single button
- Loud sound output over 85 dB(A) at 3 meters
- Low quiescent current consumption
- Surface-mount device (SMD) circuit board design
- Low battery warning signal

System Overview

Dahua Wireless Smoke Alarm provides battery-powered smoke detection and alarm functions within a single unit. Advanced electronics in conjunction with a photoelectric smoke sensing chamber provide early detection of smoke and high immunity against unwanted alarms. This kind of smoke alarm does not require a mains supply and is suitable for general residential applications. Timely notification of the smoke alarm can be displayed on DMSS App in real time.

Scene

Mainly applied for villas, shops, apartments, etc.

Technical Specification

Working Principle

Collection Type	Smoke
Sampling Period	10 s
Sensor Type	Photoelectric

Alarm

Alarm Type	Smoke alarm, fault alarm, low battery warning
Alarm Volume	85dB–90dB(A) at 3 m (9.84 ft)
Alarm Mode	Visual and audible alarm
Silence Function	Yes
Silence Duration	About 12 min
Alarm Response Threshold	0.2 dB/m - 0.3 dB/m

Technical Specification

Basic Parameters

Indicator Light	Red and green LED indicator
Led Instructions	Standby: Green indicator flashes once per minute Alarm: Red indicator flashes once per second Fault: Red indicator flashes once per minute Low battery warning: Red indicator flashes once per minute
Coverage Area	When the height of the space is less than 8 m (3.28 ft), the protection area of a device is 20 m ² –40 m ²

Power Supply

Battery Life	3 year
Operating Voltage	3V CR123A lithium battery (replaceable)
Operating Current	Monitoring current: ≤ 35uA Alarm current: ≤ 35mA

Operating Ambient

Operating Environment	Indoor
Operating Temperature	-10°C to +55°C (+14°F to +131°F)
Operating Humidity	≤ 95% RH (non condensing)

Appearance

Color	White
Casing	ABS
Dimensions	φ98 mm × H43.1 mm (φ3.85" × H1.70")
Weight	140 g (0.30 lb)
Installation	Ceiling Mount

Certifications

Certifications	TÜV and CE listed
Compliance Standard	EN 14604:2005+AC:2008

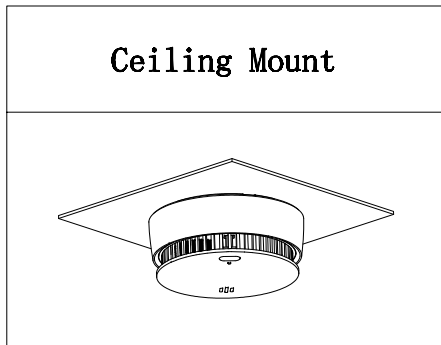
Wireless

Carrier Frequency	433.1 MHz–434.6 MHz
Communication Distance	Up to 1000 m (3280.84 ft) in an open space
Communication Mechanism	Two-way
Frequency Hopping	Yes
Encryption Mode	AES128

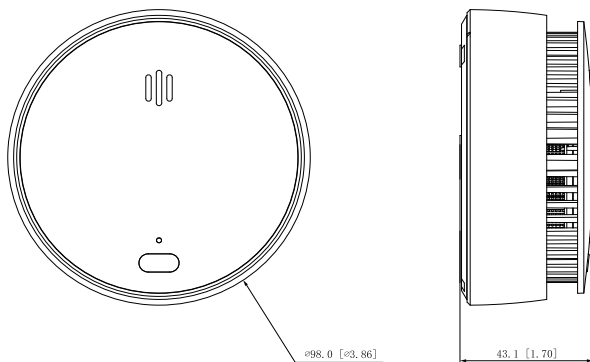
Ordering Information

Type	Part Number	Description
Smoke Alarm	DHI-HY-SA21A-W2	Wireless Smoke Alarm

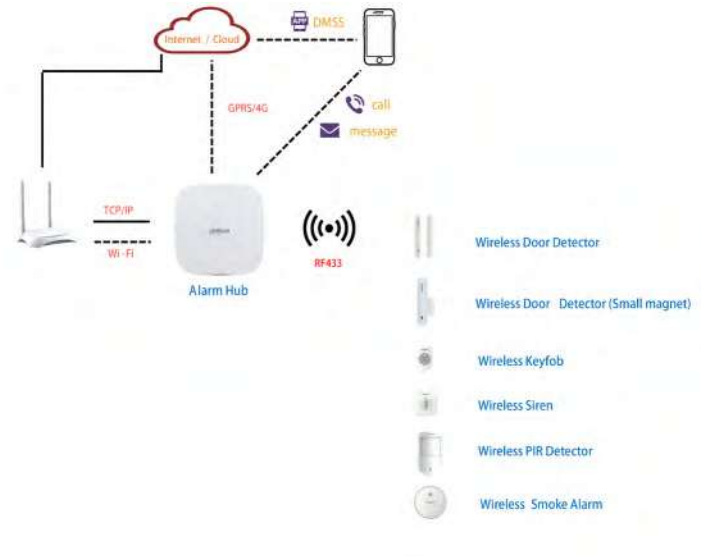
Installation



Dimensions (mm[inch])



Application





ACCESSOIRES
SANS FILS



DHI-ARA12-W2(868)

Wireless siren



- Signal strength detection.
- Low battery alarm.
- Temperature measurement.
- Frequency hopping function and two-way communication technology ensure communication stability.
- Cloud update and automatic recovery from update failure.

System Overview

Wireless siren is an indoor siren that loudly alarms when an alarm event occurs. It features danger warning and intrusion determent.

Scene

Mainly applied for villas, shops, apartments, etc.

Technical Specification

Port

Indicator Light	1 × green alarm indicator
Button	1 × power button

Function

Tamper Alarm	Yes
Remote Upgrade	Cloud update
Test Mode	Yes
Low Battery Alarm	Yes
Search	Signal strength detection

Wireless

Carrier Frequency	868.0 MHz–868.6 MHz
Communication Distance	Up to 1,000 m (3,280.84 ft) in an open space
Communication Mechanism	Two-way
Frequency Hopping	Yes
Encryption Mode	AES128

General

Power Supply	2 × CR123A batteries
--------------	----------------------

Power Consumption	Max. 240 mW
Operating Temperature	−10 °C to +55 °C (+14 °F to +131 °F) (indoor)
Operating Humidity	10%–90% (RH).
Product Dimensions	81.0 mm × 81.0 mm × 26.0 mm (3.19" × 3.19" × 1.02") (L × W × H)
Packaging Dimensions	135.0 mm × 98.5 mm × 56.8 mm (5.31" × 3.88" × 2.24") (L × W × H)
Installation	Bracket mount
Net Weight	105 g (0.23 lb)
Gross Weight	175 g (0.39 lb)
Certifications	CE
Battery Life	2.5 years in working status (triggered twice every week and alerts 120 s for each triggering)
Sound Pressure	≥ 105 ± 3 dB\1M
Casing	PC + ABS

Temperature

Measuring Range	−15 °C to +65 °C (+18.8 °F to +149 °F) (indoor)
Measuring Precision	± 1 °C (± 33.8 °F)
Resolution	1 °C (33.8 °F)

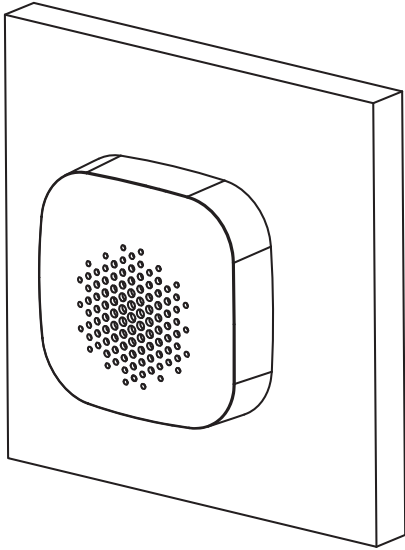
Audio/Video Parameter

Volume Adjustment	3 volumn levels
-------------------	-----------------

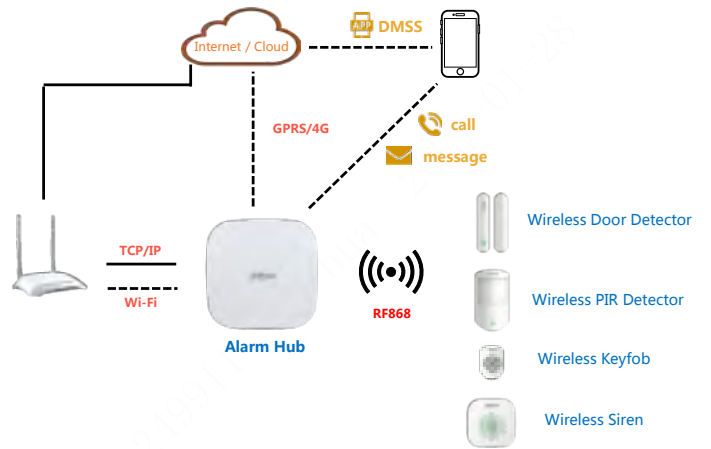
Ordering Information

Type	Part Number	Description
Wireless siren	DHI-ARA12-W2(868)	Wireless siren

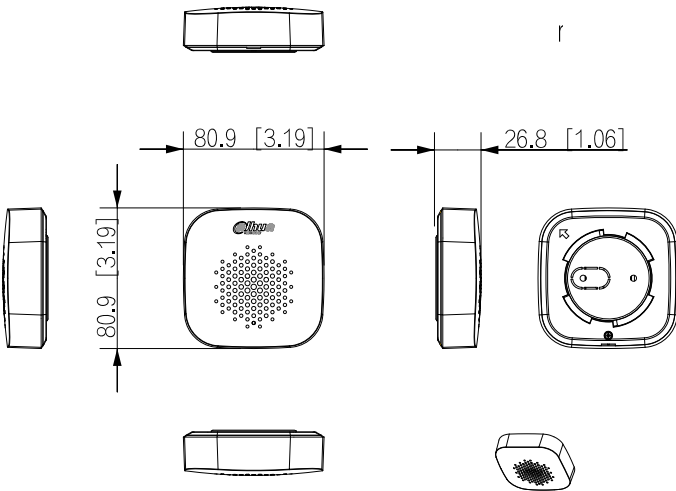
Installation



Application



Dimensions (mm[inch])



DHI-ARA12-W2

Wireless siren



- Signal strength detection.
- Low battery alarm.
- Temperature measurement.
- Frequency hopping function and two-way communication technology ensure communication stability.
- Cloud update and automatic recovery from update failure.

System Overview

Wireless siren is an indoor siren that loudly alarms when an alarm event occurs. It features danger warning and intrusion determent.

Scene

Mainly applied for villas, shops, apartments, etc.

Technical Specification

Port

Indicator Light	1 × green alarm indicator
Button	1 × power button

Function

Tamper Alarm	Yes
Remote Upgrade	Cloud update
Test Mode	Yes
Low Battery Alarm	Yes
Search	Signal strength detection

Wireless

Carrier Frequency	433.1 MHz–434.6 MHz
Communication Distance	Up to 800 m (2,624.67 ft) in an open space
Communication Mechanism	Two-way
Frequency Hopping	Yes
Encryption Mode	AES128

General

Power Supply	2 × CR123A batteries
--------------	----------------------

Power Consumption	Max. 230 mW
Operating Temperature	−10 °C to +55 °C (+14 °F to +131 °F) (indoor)
Operating Humidity	10%–90% (RH).
Product Dimensions	81.0 mm × 81.0 mm × 26.0 mm (3.19" × 3.19" × 1.02") (L × W × H)
Packaging Dimensions	135.0 mm × 98.5 mm × 56.8 mm (5.31" × 3.88" × 2.24") (L × W × H)
Installation	Bracket mount
Net Weight	105 g (0.23 lb)
Gross Weight	175 g (0.39 lb)
Certifications	CE
Battery Life	2.5 years in working status (triggered twice every week and alerts 120 s for each triggering)
Sound Pressure	≥ 105 ± 3 dB\1M
Casing	PC + ABS

Temperature

Measuring Range	−15 °C to +65 °C (+18.8 °F to +149 °F) (indoor)
Measuring Precision	± 1 °C (± 33.8 °F)
Resolution	1 °C (33.8 °F)

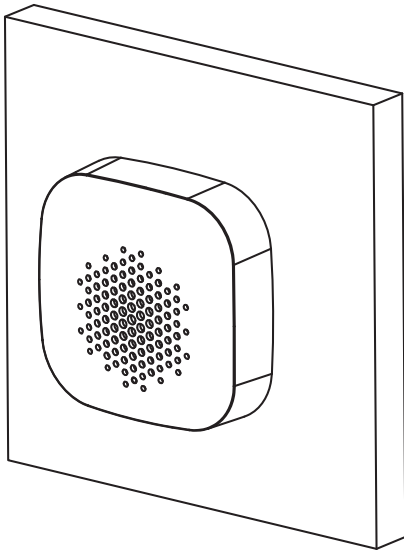
Audio/Video Parameter

Volume Control	3 volumn levels
----------------	-----------------

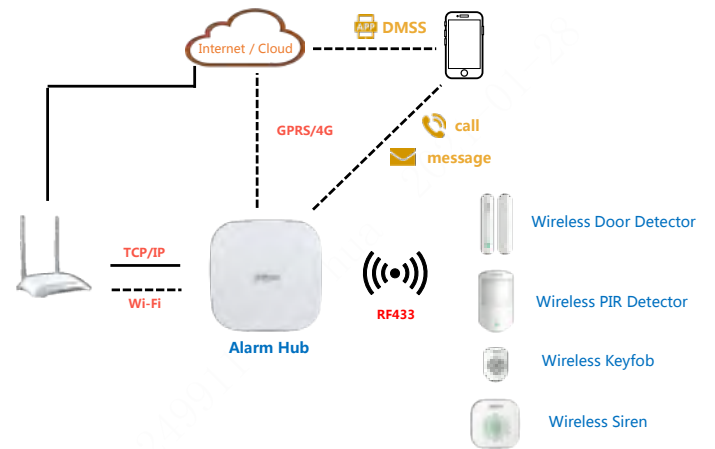
Ordering Information

Type	Model	Description
Wireless siren	DHI-ARA12-W2	Wireless siren

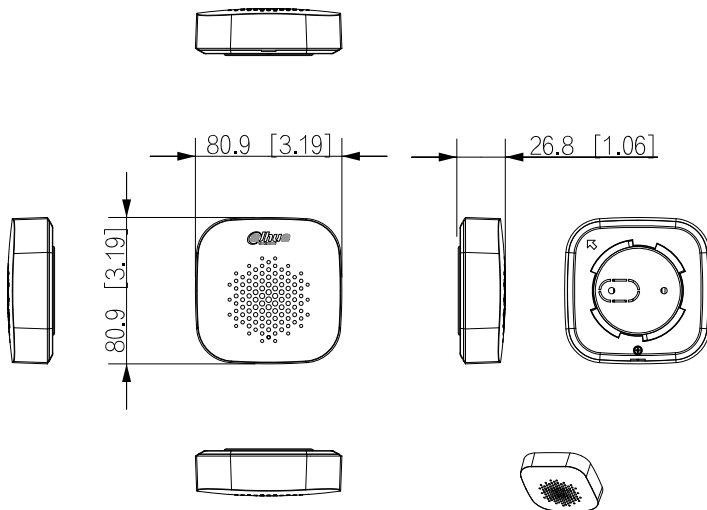
Installation



Application



Dimensions (mm[inch])



DHI-ARA13-W2(868)

Wireless outdoor siren



- IP65 rated.
- Outdoor product (–25 °C to +60 °C).
- 12 VDC and battery power supply.
- Multiple alarm sounds: Fire, medical, intrusion, panic, and more.
- Sound pressure level: 110 dB.
- Temperature monitoring.
- Frequency hopping and two-way communication.
- Cloud update and automatic recovery from update failure.

System Overview

Wireless outdoor siren is an outdoor siren that alarms loudly when an alarm event occurs, attracting the attention of everyone within its vicinity. It features danger warning, intrusion deterrent, and is used in outdoor scenes such as in villas, homes, and on streets.

Scene

Mainly applied for villas, apartments, streets, etc.

Technical Specification

Function

Indicator Light	1 × green alarm indicator 12 × alarm LED groups
Button	1 × power switch
Buzzer	1 × buzzer
Remote Update	Cloud update
Low Battery Detection	Yes
Battery Level Display	Yes
Tamper	Yes
Signal Strength	7

Wireless

Carrier Frequency	868.0 MHz–868.6 MHz
Communication Distance	Up to 1,600 m (5,249.34 ft) in an open space
Communication Mechanism	Two-way
Frequency Hopping	Yes

Encryption Mode	AES128
-----------------	--------

General

Power Supply Mode	Battery (default), 12 VDC
Battery Model	CR123A
Battery Life	4 CR123A batteries can be used for 3.4 years (if triggered fortnightly and the alarm sounds for 120 s each time with a battery efficiency of 80%)
Operating Temperature	–25 °C to +60 °C (–13 °F to +140 °F)
Operating Humidity	10%–90% (RH)
Product Dimensions	200 mm × 200 mm × 52.5 mm (7.87" × 7.87" × 2.07") (L × W × H)
Packaging Dimensions	255 mm × 239 mm × 64 mm (10.04" × 9.41" × 2.52") (L × W × H)
Net Weight	610 g (1.34 lb)
Gross Weight	920 g (2.03 lb)
Installation	Wall mount
Casing	PC + ABS
Protection	IP65
Certifications	CE

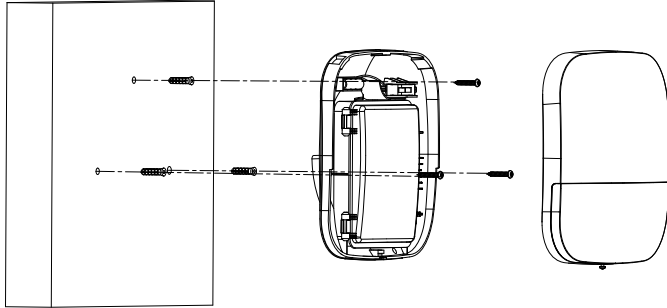
Technical

Scenario	Outdoor
Operating Current	92 μA
Alarm Current	420 mA
Sound and Light Alarm	Light alarm and multiple alarm sounds, including fire, medical, intrusion, panic, and more.
Sound Pressure	110 dB

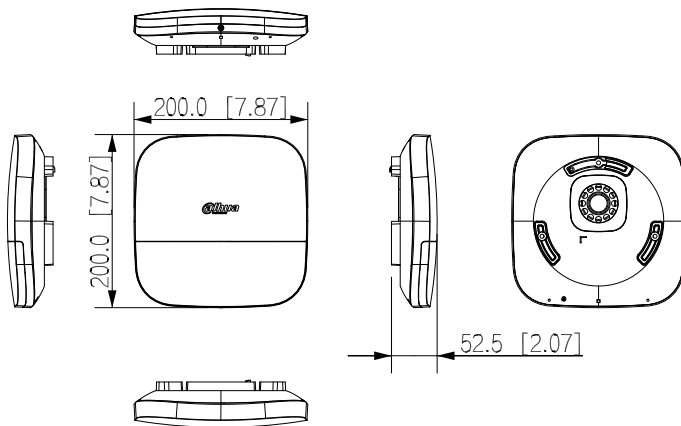
Ordering Information

Type	Model	Description
Wireless outdoor siren	DHI-ARA13-W2(868)	Wireless outdoor siren

Installation



Dimensions (mm[inch])



Application

Wireless Door Detector



Wireless PIR Detector



Wireless Keyfob



Wireless Single Channel



RF868



Alarm Hub



RF868



Wireless Outdoor Sensor

DHI-ARA13-W2

Wireless outdoor siren



- IP65 rated.
- Outdoor product (–25 °C to +60 °C).
- 12 VDC and battery power supply.
- Multiple alarm sounds: Fire, medical, intrusion, panic, and more.
- Sound pressure level: 110 dB.
- Temperature monitoring.
- Frequency hopping and two-way communication.
- Cloud update and automatic recovery from update failure.

System Overview

Wireless outdoor siren is an outdoor siren that alarms loudly when an alarm event occurs, attracting the attention of everyone within its vicinity. It features danger warning, intrusion deterrent, and is used in outdoor scenes such as in villas, homes, and on streets.

Scene

It is ideal for scenarios such as villas, apartments and streets.

Technical Specification

Function

Indicator Light	1 × green alarm indicator 12 × alarm LED groups
Button	1 × power switch
Buzzer	1 × buzzer
Remote Update	Cloud update
Low Battery Detection	Yes
Battery Level Display	Yes
Tamper	Yes
Signal Strength	Signal strength detection

Wireless

Carrier Frequency	433.1 MHz–434.6 MHz
Communication Distance	Up to 1,200 m (3,937.01 ft) in an open space
Communication Mechanism	Two-way
Frequency Hopping	Yes

Encryption Mode	AES128
-----------------	--------

General

Power Supply Mode	Battery (default), 12 VDC
Battery Model	CR123A
Battery Life	4 CR123A batteries can be used for 3.4 years (if triggered fortnightly and the alarm sounds for 120 s each time with a battery efficiency of 80%)
Operating Temperature	–25 °C to +60 °C (–13 °F to +140 °F)
Operating Humidity	10%–90% (RH)
Product Dimensions	200 mm × 200 mm × 52.5 mm (7.87" × 7.87" × 2.07") (L × W × H)
Packaging Dimensions	255 mm × 239 mm × 64 mm (10.04" × 9.41" × 2.52") (L × W × H)
Net Weight	610 g (1.34 lb)
Gross Weight	920 g (2.03 lb)
Installation	Wall mount
Casing	PC + ABS
Protection	IP65
Certifications	FCC

Technical

Scenario	Outdoor
Operating Current	92 μA
Alarm Current	420 mA
Sound and Light Alarm	Light alarm and multiple alarm sounds, including fire, medical, intrusion, panic, and more.

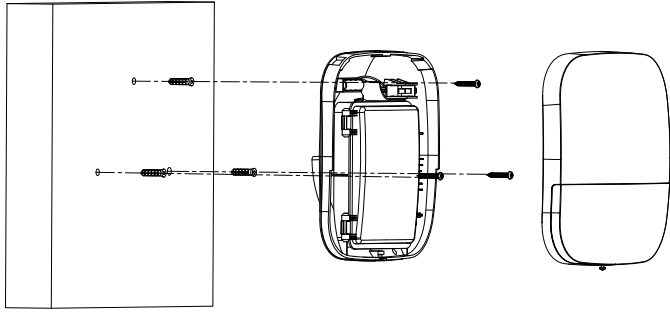
Sound Pressure	110 dB
----------------	--------

Application

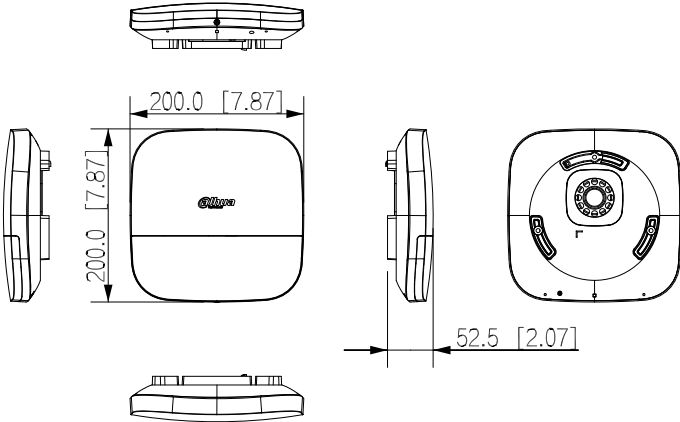
Ordering Information

Type	Model	Description
Wireless outdoor siren	DHI-ARA13-W2	Wireless outdoor siren

Installation



Dimensions (mm[inch])



Wireless Door Detector



Wireless PIR Detector



Wireless Keyfob



Wireless Single Channel



RF433



Alarm Hub



RF433



Wireless Outdoor Sensor

DHI-ARA20-W

Four-Key Remote Control



Feature

- Arm/Stay arm/Disarm/SOS
- LED indicator
- FSK, OOK modulation modes
- Frequency band is 434MHz by default
- Max transmit power +10 dBm
- Low consumption, current under sleep < 10nA
- Under +10dBm output power, TX current is 19.8mA (FSK transmit mode)
- Super-LOW current power down mode (30nA OFF current, 50nA standby current)
- Data transmission rate: max 100Kbps
- Battery voltage detection
- 128 bit AES encryption algorithm

DHI-ARA20-W

Technical Specifications

Model	Description	Min	Regular	Max	Unit
Name	Wireless key fob				
Working voltage	1.8	3.0	3.6	V	
Frequency		3.15	434	915	MHz
Max reflection power		9.2	9.6	10	dBm
Transmitting current	+10dBm 3.0V	18.9	19.8	21	mA
Data rate	FSK Modulation	0.1	4.8	100	Kbps
Key			4		
Temperature		-10°C		+50°C	
Ingress protection			IP20		
Dimension	L*W*H (mm)		62*30*14		

DHI-ARA24-W2(868)

Wireless keyfob



- SOS emergency alarm.
- Frequency hopping function and two-way communication technology ensure communication stability.
- Cloud update and automatic recovery from update failure.

System Overview

An all new industrial design and advanced technological system, makes the new generation of wireless alarm products easier to install, look better, communicate more reliably and perform more stably. From the comfort of the mobile apps DMSS (for end users) and COS Pro (for installers), receive notifications in real-time, control and manage your devices, perform remote operations, and more.

Scene

Mainly applied for villas, shops, apartments, etc.

Technical Specification

Port

Indicator Light	1 × two-color status indicator (green: normal, red: abnormal)
Button	4 (Home, Away, Disarm, and SOS)

Function

Remote Upgrade	Cloud update
Low Battery Alarm	Yes
Search	Signal strength detection

Wireless

Carrier Frequency	868.0 MHz–868.6 MHz
Communication Distance	Up to 900 m (2,952.76 ft) in an open space
Communication Mechanism	Two-way
Encryption Mode	AES128
Frequency Hopping	Yes

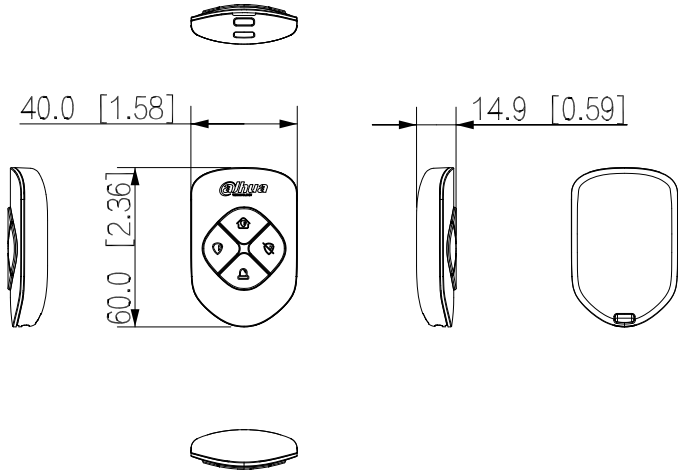
General

Power Supply	CR2032 battery
Power Consumption	Max. 100 mW
Operating Temperature	−10 °C to +55 °C (+14 °F to +131 °F) (indoor)
Operating Humidity	10%–90% (RH)
Product Dimensions	60.0 mm × 39.5 mm × 15.0 mm (2.36" × 1.56" × 0.59") (L × W × H)
Packaging Dimensions	135.0 mm × 98.5 mm × 27.8 mm (5.31" × 3.88" × 1.09") (L × W × H)
Net Weight	20 g (0.04 lb)
Gross Weight	65 g (0.14 lb)
Certifications	CE
Casing	PC + ABS
Battery Life	3 years

Ordering Information

Type	Model	Description
Wireless keyfob	DHI-ARA24-W2(868)	Wireless keyfob

Dimensions (mm[inch])



Application



DHI-ARA24-W2

Wireless keyfob



- SOS emergency alarm.
- Frequency hopping function and two-way communication technology ensure communication stability.
- Cloud update and automatic recovery from update failure.

System Overview

An all new industrial design and advanced technological system, makes the new generation of wireless alarm products easier to install, look better, communicate more reliably and perform more stably. From the comfort of the mobile apps DMSS (for end users) and COS Pro (for installers), receive notifications in real-time, control and manage your devices, perform remote operations, and more.

Scene

Mainly applied for villas, shops, apartments, etc.

Technical Specification

Input/Output

Indicator Light	1 × two-color status indicator (green: normal, red: abnormal)
Button	4 (Home, Away, Disarm, and SOS)

Function

Remote Upgrade	Cloud update
Low Battery Alarm	Yes
Search	Signal strength detection

Wireless

Carrier Frequency	433.1 MHz–434.6 MHz
Communication Distance	Up to 500 m (1,640.42 ft) in an open space
Communication Mechanism	Two-way
Encryption Mode	AES128
Frequency Hopping	Yes

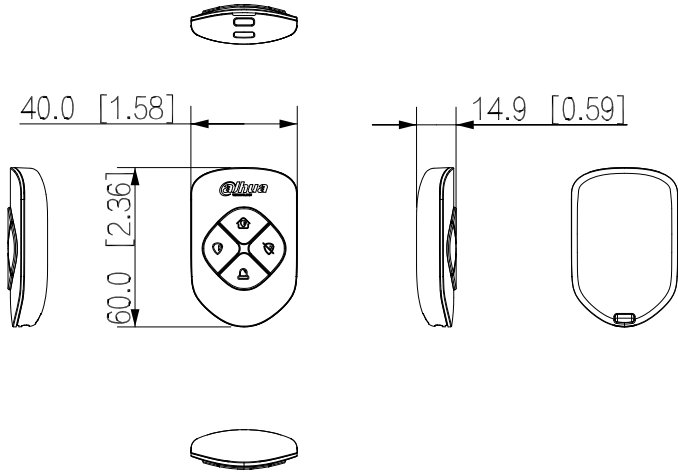
General

Power Supply	CR2032 battery
Power Consumption	Max. 85 mW
Operating Temperature	−10 °C to +55 °C (+14 °F to +131 °F) (indoor)
Operating Humidity	10%–90% (RH)
Product Dimensions	60.0 mm × 39.5 mm × 15.0 mm (2.36" × 1.56" × 0.59") (L × W × H)
Packaging Dimensions	135.0 mm × 98.5 mm × 27.8 mm (5.31" × 3.88" × 1.09") (L × W × H)
Net Weight	20 g (0.04 lb)
Gross Weight	65 g (0.14 lb)
Certifications	CE
Casing	PC + ABS
Battery Life	3 years

Ordering Information

Type	Model	Description
Wireless keyfob	DHI-ARA24-W2	Wireless keyfob

Dimensions (mm[inch])



Application



DHI-ARA43-W2(868)

Alarm Repeater



- Connects up to 32 peripherals.
- Two-way RF communication.
- LED indicator displays device status.
- Supports manual and auto pairing, extending RF distance for your security system.
- Auto switches from dual antennas to reduce blind areas.
- Cloud update and auto recovery of update failure.
- Battery backs device working for over 35 hours when external power supply fails.

System Overview

Alarm repeater is a wireless repeater device that extends the communication range between the alarm hub and other accessories, and forwards messages received from the accessory to the hub. It provides a secondary communication path for accessories, improving the overall stability and reliability of communication of the wireless security system. You can use the DMSS app to manually select a path for accessories or allow the system to automatically select one for them.

Scene

It is suitable for security use in scenes, such as villas with multiple floors, garages that are far away from residential areas, or office buildings and shops with partitions.

Technical Specification

Input/Output

Wireless Zone	32 × wireless peripherals
---------------	---------------------------

Port

Storage Battery	Built-in lithium battery
Indicator Light	1 that indicates pairing and working
Power Switch	1 × power switch

Function

Pairing Mode	Auto/Manual
Tamper Alarm	Yes
Remote Update	Cloud update
Power Failure Protection for Configured Parameters	Yes
Disconnection Detection of External Power Supply	Yes

Low Battery Alarm	Yes
Search	Signal strength detection

Wireless

Carrier Frequency	868.0 MHz–868.6 MHz
Communication Distance	Up to 1,600 m (5249.34 ft) in an open space
Communication Mechanism	Two-way
Encryption Mode	AES128
Frequency Hopping	Yes

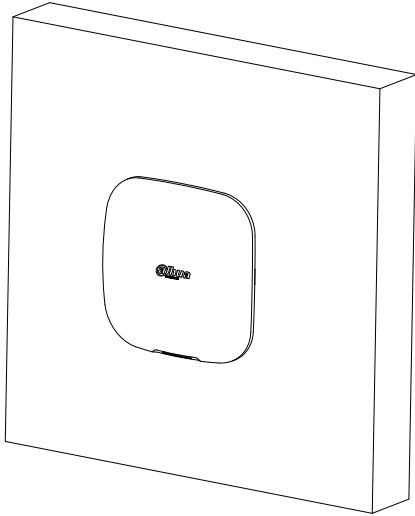
General

Power Supply	12 VDC, 1.5 A
Battery Life	Battery standby time: 35 h
Operating environment	−10 °C to +55 °C (+14 °F to +131 °F) (indoor)
Operating Humidity	10%–90% (RH)
Product Dimensions	163.0 mm × 163.0 mm × 32.0 mm (6.42" × 6.42" × 1.26")
Packaging Dimensions	219.0 mm × 187.0 mm × 91.0 mm (8.62" × 7.36" × 3.58")
Installation	Wall mount; Desktop
Net Weight	0.32 kg (0.71 lb)
Gross Weight	0.74 kg (1.63 lb)
Certifications	CE
Casing	PC+ABS

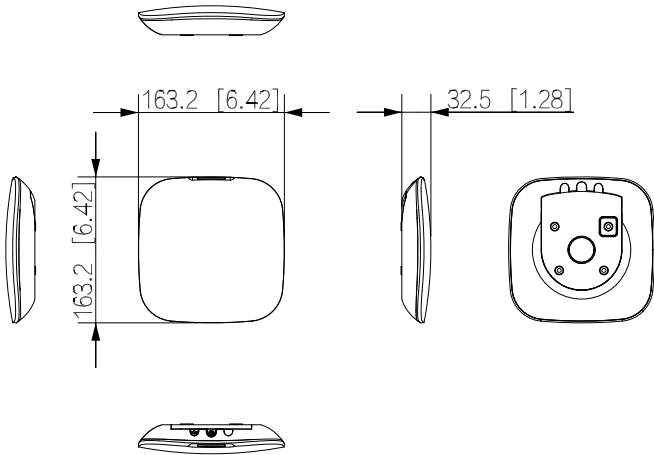
Ordering Information

Type	Model	Description
Alarm Accessory	DHI-ARA43-W2(868)	Wireless repeater

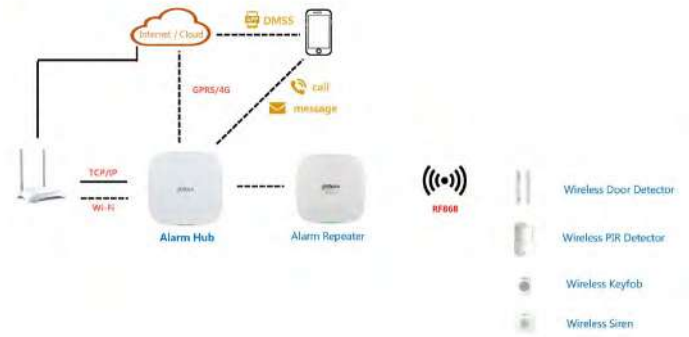
Installation



Dimensions (mm[inch])



Application



DHI-ARA43-W2

Alarm Repeater



- Connects up to 32 peripherals.
- Two-way RF communication.
- LED indicator displays device status.
- Supports manual and auto pairing, extending RF distance for your security system.
- Auto switches from dual antennas to reduce blind areas.
- Cloud update and auto recovery of update failure.
- Battery backs device working for over 35 hours when external power supply fails.

System Overview

Alarm repeater is a wireless repeater device that extends the communication range between the alarm hub and other accessories, and forwards messages received from the accessory to the hub. It provides a secondary communication path for accessories, improving the overall stability and reliability of communication of the wireless security system. You can use the DMSS app to manually select a path for accessories or allow the system to automatically select one for them.

Scene

It is suitable for security use in scenes, such as villas with multiple floors, garages that are far away from residential areas, or office buildings and shops with partitions.

Technical Specification

Input/Output

Wireless Zone	32 × wireless peripherals
---------------	---------------------------

Port

Storage Battery	Built-in lithium battery
Indicator Light	1 that indicates pairing and working
Power Switch	1 × power switch

Function

Pairing Mode	Auto/Manual
Tamper Alarm	Yes
Remote Update	Cloud update
Power Failure Protection for Configured Parameters	Yes
Disconnection Detection of External Power Supply	Yes

Low Battery Alarm	Yes
Search	Signal strength detection

Wireless

Carrier Frequency	433.1 MHz–434.6 MHz
Communication Distance	Up to 1000 m (3280.84 ft) in an open space
Communication Mechanism	Two-way
Encryption Mode	AES128
Frequency Hopping	Yes

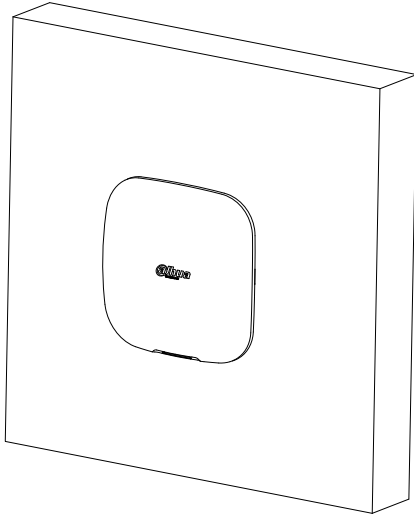
General

Power Supply	12 VDC, 1.5 A
Battery Life	Battery standby time: 35 h
Operating environment	−10 °C to +55 °C (+14 °F to +131 °F) (indoor)
Operating Humidity	10%–90% (RH)
Product Dimensions	163.0 mm × 163.0 mm × 32.0 mm (6.42" × 6.42" × 1.26")
Packaging Dimensions	219.0 mm × 187.0 mm × 91.0 mm (8.62" × 7.36" × 3.58")
Installation	Wall mount; Desktop
Net Weight	0.32 kg (0.71 lb)
Gross Weight	0.74 kg (1.63 lb)
Certifications	CE
Casing	PC+ABS

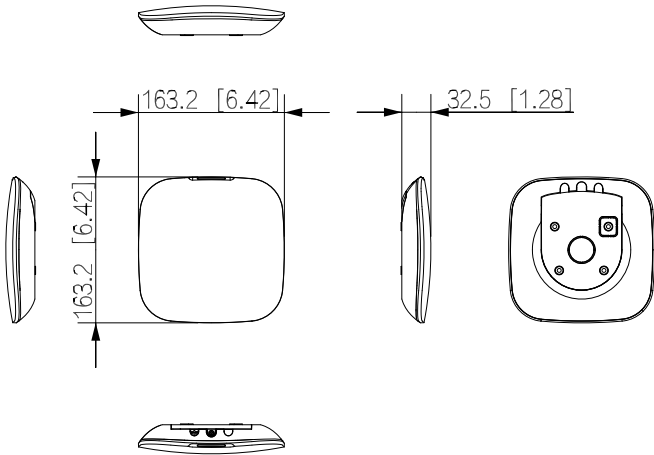
Ordering Information

Type	Model	Description
Alarm Accessory	DHI-ARA43-W2	Wireless repeater

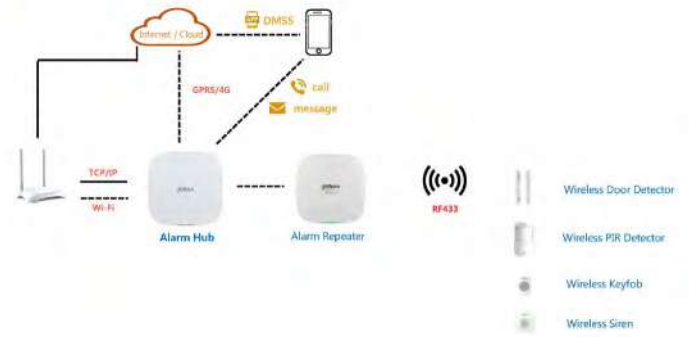
Installation



Dimensions (mm[inch])



Application



- Wireless Door Detector
- Wireless PIR Detector
- Wireless Keyfob
- Wireless Siren

DHI-ARD821-W2(868)

Wireless Panic Button



- Two-way RF communication.
- Provides multiple LED colors to indicate different statuses.
- Cloud update and automatic recovery from update failure.
- Offers accidental press prevention.
- IP54 rated.

System Overview

Highly intuitive, the Wireless Panic Button supports multiple types of alarms to meet a wide variety of scenarios, triggering alarms for intrusions, fire, gas leaks, and more. It can also be used to notify the monitoring center and your loved ones that you are in need of medical aid, allowing them the opportunity to come to your assistance. Notices of alarm events are sent to the monitoring center to ensure a prompt response, and to you to keep you up to date.

Scene

Wireless Panic Button is ideal for use in apartments, villas, office buildings, stores and more.

Technical Specification

Function

Indicator Light	1 for multiple statuses (pairing, communication, and more)
Remote Update	Cloud update
Button	1
Signal Strength	Yes
Low Battery Detection	Yes
Battery Level Display	Displays battery level on app

Wireless

Carrier Frequency	868.0 MHz–868.6 MHz
Communication Distance	Up to 1,200 m (3937.01 ft) in an open space
Communication Mechanism	Two-way
Encryption Mode	AES128
Frequency Hopping	Yes

General

Operating Temperature	-10 °C to +55 °C (+14 °F to +131 °F) (indoor)
Operating Humidity	10%–90% (RH)
Battery Model	CR2032
Battery Life	3 years (if used twice a week)
Product Dimensions	55 mm × 36 mm × 14.2 mm (2.17" × 1.42" × 0.56") (L × W × H)
Packaging Dimensions	95 mm × 59.5 mm × 30.5 mm (3.74" × 2.34" × 1.20") (L × W × H)
Installation	Wall mount; portable
Net Weight	18 g (0.04 lb)
Gross Weight	48 g (0.11 lb)
Certifications	CE
Casing Material	PC + ABS
Protection	IP54

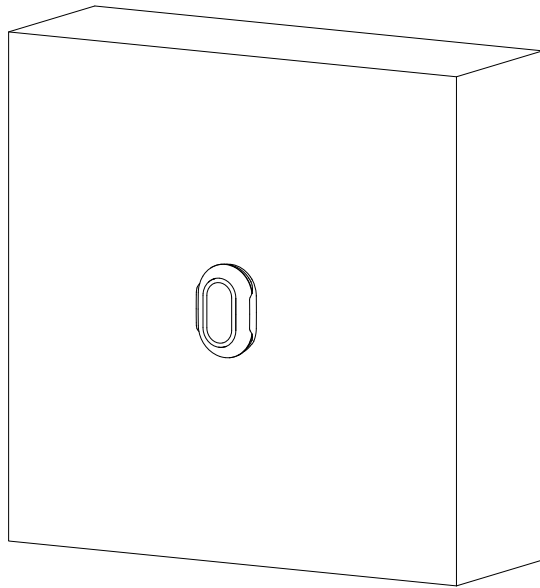
Technical

Operating Current	28 mA
Test Mode	Yes

Ordering Information

Type	Part Number	Description
Wireless Panic Button	DHI-ARD821-W2(868)	3 types optional: Wireless Panic Button, Wireless Panic Button (with straps) and Wireless Panic Button (with bracket)

Installation



Application



Alarm Hub

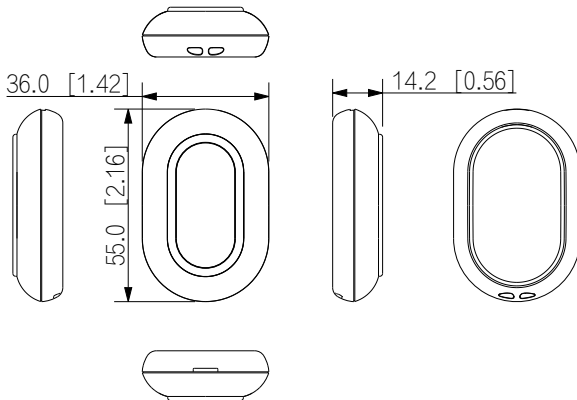


RF868



Wireless Panic Button

Dimensions (mm[inch])



DHI-ARD821-W2

Wireless Panic Button



- Two-way RF communication.
- Provides multiple LED colors to indicate different statuses.
- Cloud update and automatic recovery from update failure.
- Offers accidental press prevention.
- IP54 rated.

System Overview

Highly intuitive, the Wireless Panic Button supports multiple types of alarms to meet a wide variety of scenarios, triggering alarms for intrusions, fire, gas leaks, and more. It can also be used to notify the monitoring center and your loved ones that you are in need of medical aid, allowing them the opportunity to come to your assistance. Notices of alarm events are sent to the monitoring center to ensure a prompt response, and to you to keep you up to date.

Scene

Wireless Panic Button is ideal for use in apartments, villas, office buildings, stores and more.

Technical Specification

Function

Indicator Light	1 for multiple statuses (pairing, communication, and more)
Remote Update	Cloud update
Button	1
Signal Strength	Yes
Low Battery Detection	Yes
Battery Level Display	Displays battery level on app

Wireless

Carrier Frequency	433.1 MHz–434.6 MHz
Communication Distance	Up to 800 m (2624.67 ft) in an open space
Communication Mechanism	Two-way
Encryption Mode	AES128
Frequency Hopping	Yes

General

Operating Temperature	−10 °C to +55 °C (+14 °F to +131 °F) (indoor)
Operating Humidity	10%–90% (RH)
Battery Model	CR2032
Battery Life	3 years (if used twice a week)
Product Dimensions	55 mm × 36 mm × 14.2 mm (2.17" × 1.42" × 0.56") (L × W × H)
Packaging Dimensions	95 mm × 59.5 mm × 30.5 mm (3.74" × 2.34" × 1.20") (L × W × H)
Installation	Wall mount; portable
Net Weight	18 g (0.04 lb)
Gross Weight	48 g (0.11 lb)
Certifications	CE
Casing Material	PC + ABS
Protection	IP54

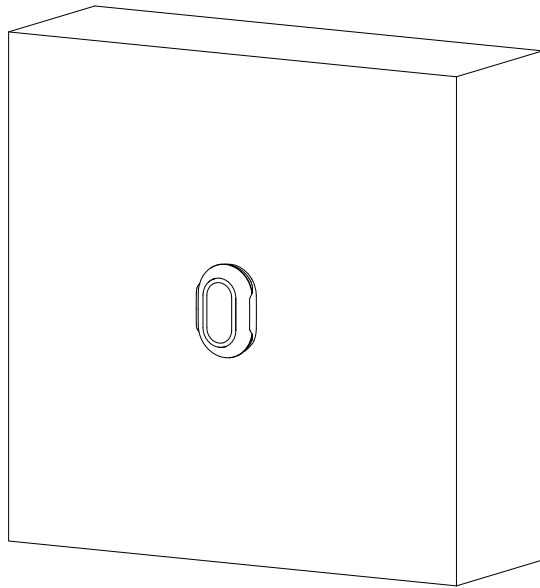
Technical

Operating Current	28 mA
Test Mode	Yes

Ordering Information

Type	Part Number	Description
Wireless Panic Button	DHI-ARD821-W2	3 types optional: Wireless Panic Button, Wireless Panic Button (with straps) and Wireless Panic Button (with bracket)

Installation



Application



Alarm Hub

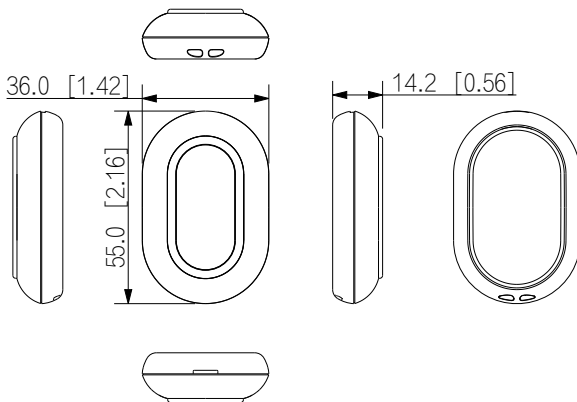


RF433



Wireless Panic Button

Dimensions (mm[inch])



DHI-ARD822-W2(868)

Wireless Panic Button



- Two-way RF communication.
- Provides multiple LED colors to indicate different statuses.
- Cloud update and automatic recovery from update failure.
- Offers accidental press prevention.
- IP54 rated.

System Overview

Highly intuitive, the Wireless Panic Button supports multiple types of alarms to meet a wide variety of scenarios, triggering alarms for intrusions, fire, gas leaks, and more. It can also be used to notify the monitoring center and your loved ones that you are in need of medical aid, allowing them the opportunity to come to your assistance. Notices of alarm events are sent to the monitoring center to ensure a prompt response, and to you to keep you up to date.

Scene

Wireless Panic Button is ideal for use in apartments, villas, office buildings, stores and more.

Technical Specification

Function

Indicator Light	1 for multiple statuses (pairing, communication, and operation)
Remote Update	Cloud update
Button	2
Signal Strength	Yes
Low Battery Detection	Yes
Battery Level Display	Displays battery level on app

Wireless

Carrier Frequency	868.0 MHz–868.6 MHz
Communication Distance	Up to 1,200 m (3937.01 ft) in an open space
Communication Mechanism	Two-way
Encryption Mode	AES128

Frequency Hopping	Yes
-------------------	-----

General

Operating Temperature	–10 °C to +55 °C (+14 °F to +131 °F) (indoor)
Operating Humidity	10%–90% (RH)
Power Supply	1 × CR2032
Battery Life	3 years (if used twice a week)
Product Dimensions	55 mm × 36 mm × 14.2 mm (2.17" × 1.42" × 0.56") (L × W × H)
Packaging Dimensions	95 mm × 59.5 mm × 30.5 mm (3.74" × 2.34" × 1.20") (L × W × H)
Installation	Wall mount; portable
Net Weight	18 g (0.04 lb)
Gross Weight	48 g (0.11 lb)
Certifications	CE
Casing Material	PC + ABS
Protection	IP54

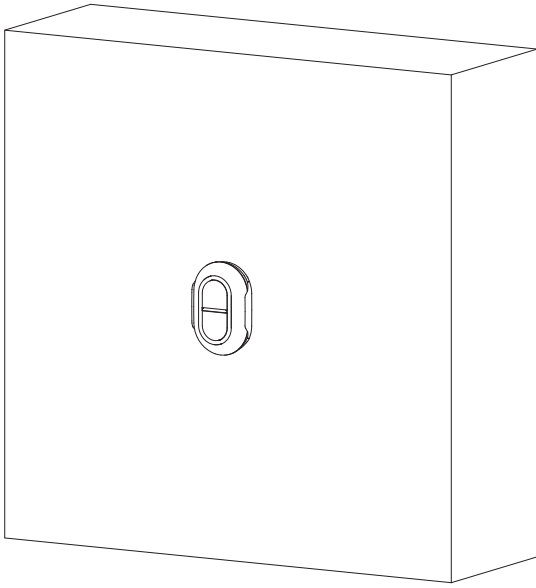
Technical

Operating Current	28 mA
Test Mode	Yes

Ordering Information

Type	Model	Description
Wireless Panic Button	DHI-ARD822-W2(868)	3 types optional: Wireless Panic Button, Wireless Panic Button (with straps) and Wireless Panic Button (with bracket)

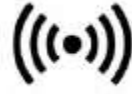
Installation



Application



Alarm Hub

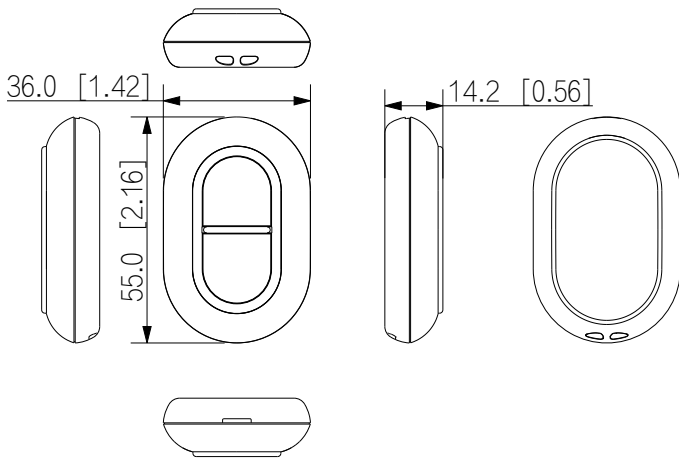


RF868



Wireless Panic Button

Dimensions (mm[inch])



DHI-ARD822-W2

Wireless Panic Button



- Two-way RF communication.
- Provides multiple LED colors to indicate different statuses.
- Cloud update and automatic recovery from update failure.
- Offers accidental press prevention.
- IP54 rated.

System Overview

Highly intuitive, the Wireless Panic Button supports multiple types of alarms to meet a wide variety of scenarios, triggering alarms for intrusions, fire, gas leaks, and more. It can also be used to notify the monitoring center and your loved ones that you are in need of medical aid, allowing them the opportunity to come to your assistance. Notices of alarm events are sent to the monitoring center to ensure a prompt response, and to you to keep you up to date.

Scene

Wireless Panic Button is ideal for use in apartments, villas, office buildings, stores and more.

Technical Specification

Function

Indicator Light	1 for multiple statuses (pairing, communication, and operation)
Remote Update	Cloud update
Button	2
Signal Strength	Yes
Low Battery Detection	Yes
Battery Level Display	Displays battery level on app

Wireless

Carrier Frequency	433.1 MHz–434.6 MHz
Communication Distance	Up to 800 m (2624.67 ft) in an open space
Communication Mechanism	Two-way
Encryption Mode	AES128

Frequency Hopping	Yes
-------------------	-----

General

Operating Temperature	–10 °C to +55 °C (+14 °F to +131 °F) (indoor)
Operating Humidity	10%–90% (RH)
Power Supply	1 × CR2032
Battery Life	3 years (if used twice a week)
Product Dimensions	55 mm × 36 mm × 14.2 mm (2.17" × 1.42" × 0.56") (L × W × H)
Packaging Dimensions	95 mm × 59.5 mm × 30.5 mm (3.74" × 2.34" × 1.20") (L × W × H)
Installation	Wall mount; portable
Net Weight	18 g (0.04 lb)
Gross Weight	48 g (0.11 lb)
Certifications	CE
Casing Material	PC + ABS
Protection	IP54

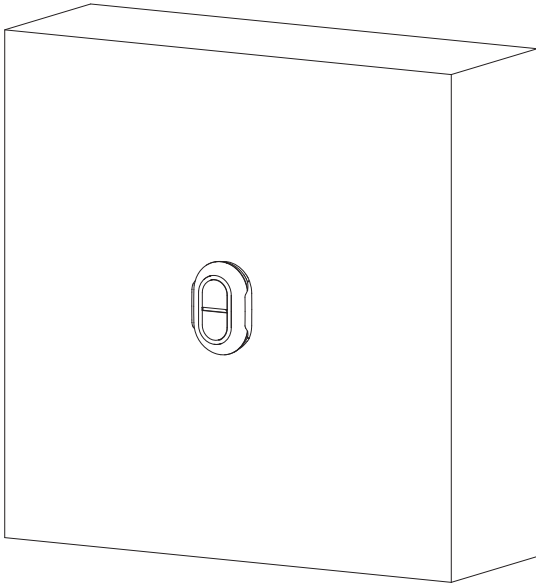
Technical

Operating Current	28 mA
Test Mode	Yes

Ordering Information

Type	Model	Description
Wireless Panic Button	DHI-ARD822-W2	3 types optional: Wireless Panic Button, Wireless Panic Button (with straps) and Wireless Panic Button (with bracket)

Installation



Application



Alarm Hub

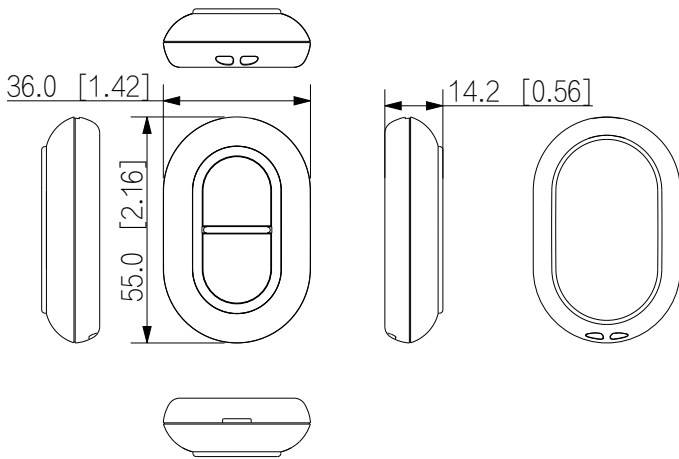


RF433



Wireless Panic Button

Dimensions (mm[inch])



DHI-ARK20C-MW

Wireless Alarm Keypad



Feature

- 20 keys and LCD screen support with backlight
- Bi-directional communication
- Up to 700m transmission distance (open space/no interference)
- Tamper switch equipped & leaving-wall protection
- 1.5 years battery life
- Wall mount

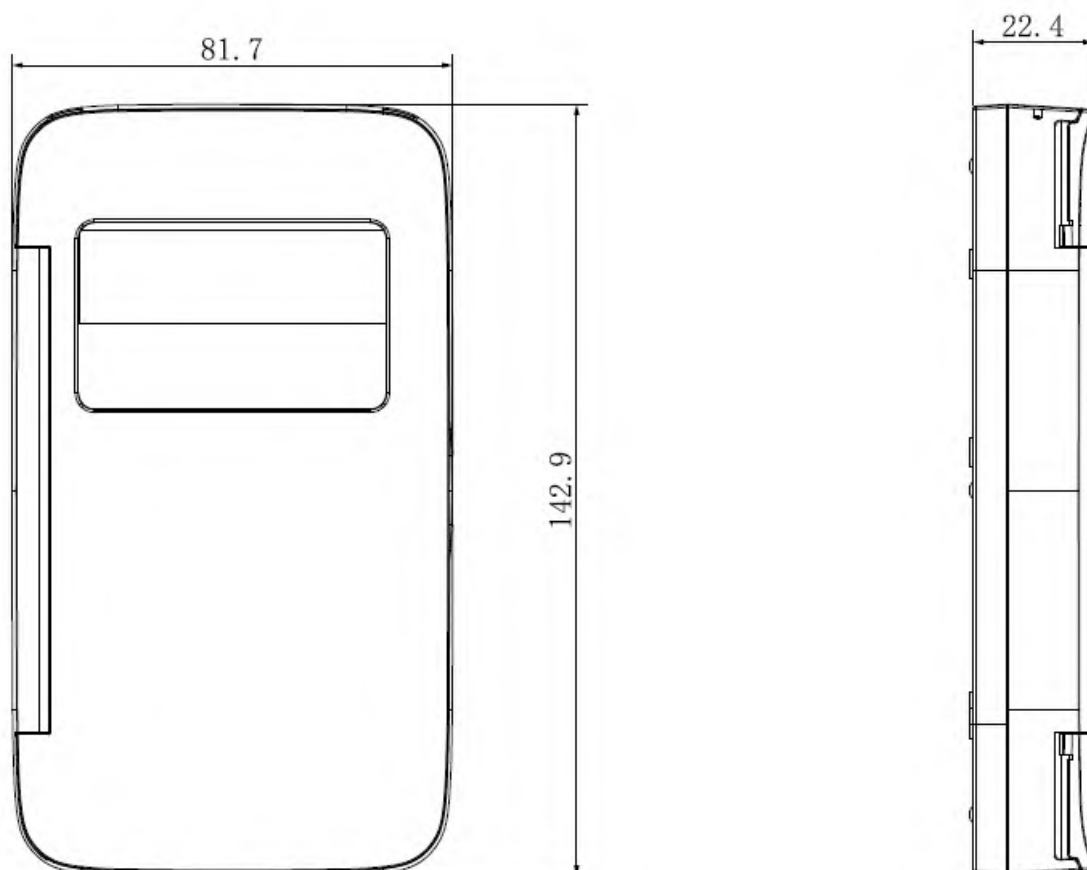
Technical Specifications

Model	DHI-ARK20C-MW
Name	Wireless alarm keypad
Wireless Frequency	433MHz
Transmit power	10dBm
Transmit Distance	700m (open area/no interference)
Tamper	Unit protection and leaving-wall protection
Power	2x CR123A Battery, 3V
Installation	Portable, wall mount
Dimensions	143*82*23 mm(L*W*H)
Weight	0.25kg
Temperature	-10°C~50°C

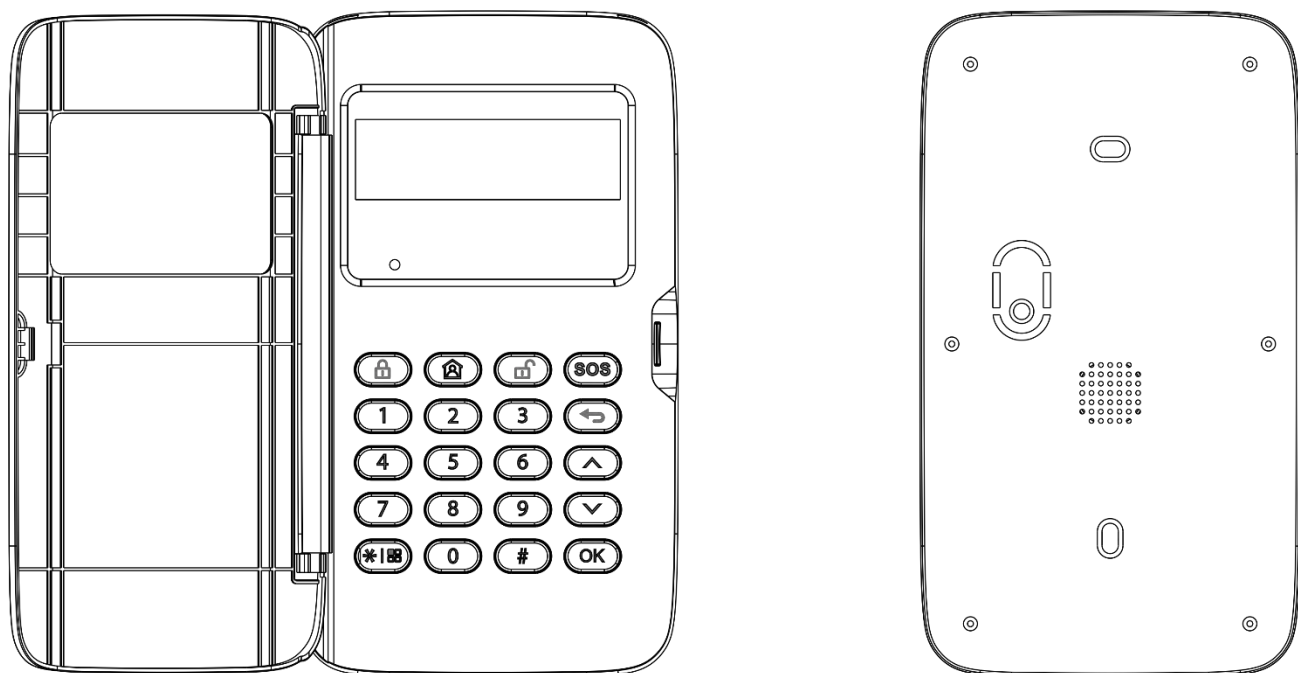
DHI-ARK20C-MW

Humidity	< 95%
----------	-------

Dimensions



DHI-ARK20C-MW



Key

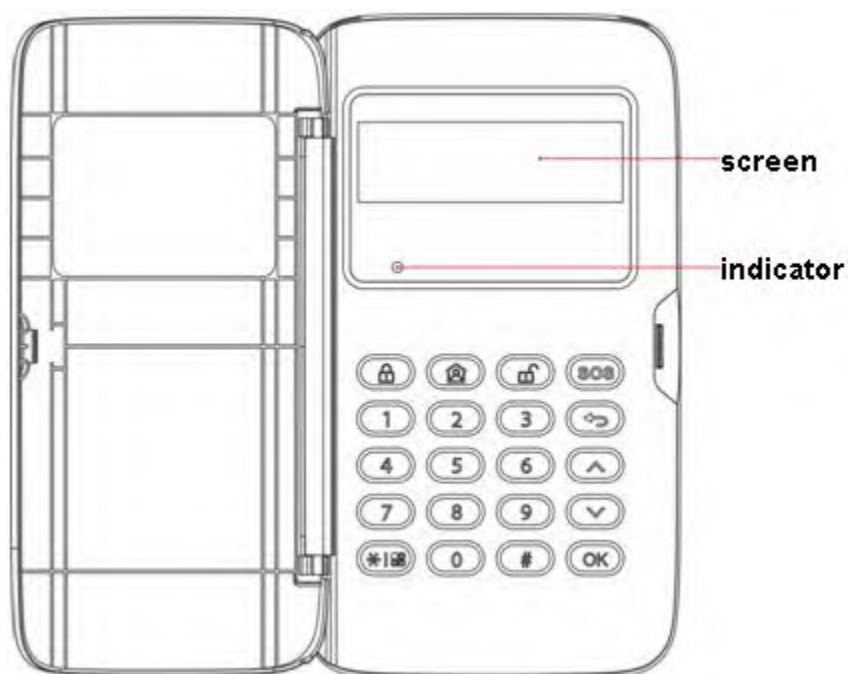











Figure 错误!文档中没有指定样式的文字。 -1

DHI-ARK20C-MW

Key	Name	Note
	Menu	Click this key to: <ul style="list-style-type: none"> • Enter main menu • Enter *.
	Arm	This key is used to quickly arm. Note: Valid in homepage only.
	Home Arm	This key is used to quickly arm at home. Note: Valid in homepage only.
	Disarm	This key is used to quickly disarm. Note: Valid in homepage only.
	Emergency Alarm	Long press this key for 3s, buzzer starts to alarm, and send alarm info to controller.
	Return	Click this key, you can: <ul style="list-style-type: none"> • Wireless match code. • Delete wrong input • Back to previous menu.
	Page Up	In menu, click this key to page up.
	Page Down	Click this key, you can : <ul style="list-style-type: none"> • In menu, click this key to page down. • Long press this key to view zone alarm info.
	OK	Click this key, you can: <ul style="list-style-type: none"> • Enter sub menu • Save setup. • Restart keypad.

DHI-ARK30T-W2(868)

Wireless Keypad



- Supports 3 shortcut alarms: Medical, fire, emergency.
- Arm/Disarm with password or IC card.
- Supports signal strength detection to select suitable installation sites.
- Low battery alarm.
- Temperature measurement.
- Frequency hopping function and two-way communication.
- Cloud update and automatic recovery from update failure.

System Overview

Wireless Keypad is used with Alarm Hub, and supports multiple users, allowing each one to access the alarm security system with their own private passcode. The system also conveniently keeps a log of the operations performed by each user, making it easy to review and analyze usage history.

Scene

Ideal for use in villas, shops, apartments and more.

Technical Specification

Function

Indicator Light	4 indicators (communication, arm/disarm, fault, and alarm)
Button	15 buttons (0-9, *, #, arm, disarm, and home arm)
Buzzer	1 × built-in buzzer
Arm and Disarm	Password; IC card
Remote Update	Cloud update
Low Battery Detection	Yes
Tamper	Yes
Measuring Range (Temperature)	-15 °C to +65 °C (+5 °F to +149 °F) (indoor)
Measuring Accuracy	1 °C (33.8 °F)
User Management	32 users

Wireless

Carrier Frequency	868.0 MHz-868.6 MHz
Communication Mechanism	Two-way

Communication Distance	Up to 1,600 m (5,249.34 ft) in an open space
Encryption Mode	AES128
Frequency Hopping	Yes

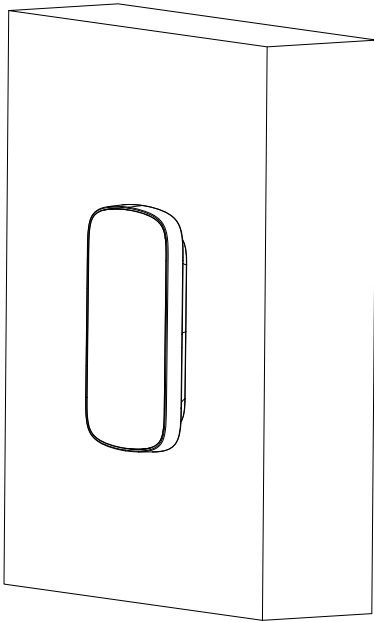
General

Power Supply	4 × AA batteries
Battery Life	3 years (if the device is used to arm and disarm once a day)
Power Consumption	Max. 2.3 W
Operating Temperature	-10 °C to +55 °C (+14 °F to +131 °F) (indoor)
Operating Humidity	10%-90% (RH)
Product Dimensions	146.0 mm × 82.0 mm × 22.6 mm (5.75" × 3.23" × 0.89")
Packaging Dimensions	180.0 mm × 104.0 mm × 58.0 mm (7.07" × 4.09" × 2.28")
Net Weight	240 g (0.529 lb) (with battery) 145 g (0.32 lb) (without battery)
Gross Weight	370 g (0.816 lb)
Installation	Wall mount
Casing Material	PC + ABS
Certifications	CE

Ordering Information

Type	Part Number	Description
Keypad	DHI-ARK30T-W2(868)	Wireless Keypad

Installation



Application



Alarm Hub

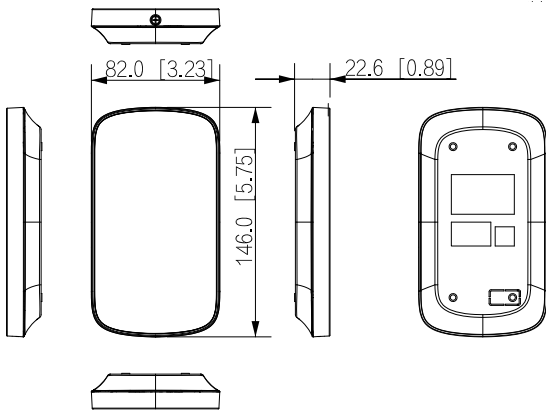


RF868



Wireless Keypad

Dimensions (mm[inch])



DHI-ARK30T-W2

Wireless Keypad



System Overview

Wireless Keypad is used with Alarm Hub, and supports multiple users, allowing each one to access the alarm security system with their own private passcode. The system also conveniently keeps a log of the operations performed by each user, making it easy to review and analyze usage history.

Scene

Ideal for use in villas, shops, apartments and more.

Technical Specification

Function

Indicator Light	4 indicators (communication, arm/disarm, fault, and alarm)
Button	15 buttons (0-9, *, #, arm, disarm, and home arm)
Buzzer	1 × built-in buzzer
Arm and Disarm	Password; IC card
Remote Update	Cloud update
Low Battery Detection	Yes
Tamper	Yes
Measuring Range (Temperature)	-15 °C to +65 °C (+5 °F to +149 °F) (indoor)
Measuring Accuracy	1 °C (33.8 °F)
User Management	32 users

Wireless

Carrier Frequency	433.1 MHz-434.6 MHz
Communication Mechanism	Two-way

- Supports 3 shortcut alarms: Medical, fire, emergency.
- Arm/Disarm with password or IC card.
- Supports signal strength detection to select suitable installation sites.
- Low battery alarm.
- Temperature measurement.
- Frequency hopping function and two-way communication.
- Cloud update and automatic recovery from update failure.

Communication Distance	Up to 1,200 m (3,937.01 ft) in an open space
Encryption Mode	AES128
Frequency Hopping	Yes

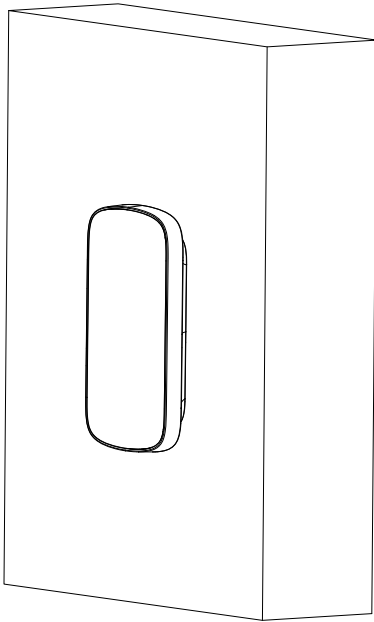
General

Power Supply	4 × AA batteries
Battery Life	3 years (if the device is used to arm and disarm once a day)
Power Consumption	Max. 2.3 W
Operating Temperature	-10 °C to +55 °C (+14 °F to +131 °F) (indoor)
Operating Humidity	10%-90% (RH)
Product Dimensions	146.0 mm × 82.0 mm × 22.6 mm (5.75" × 3.23" × 0.89")
Packaging Dimensions	180.0 mm × 104.0 mm × 58.0 mm (7.07" × 4.09" × 2.28")
Net Weight	240 g (0.529 lb) (with battery) 145 g (0.32 lb) (without battery)
Gross Weight	370 g (0.816 lb)
Installation	Wall mount
Casing Material	PC + ABS
Certifications	CE

Ordering Information

Type	Part Number	Description
Keypad	DHI-ARK30T-W2	Wireless Keypad

Installation



Application



Alarm Hub

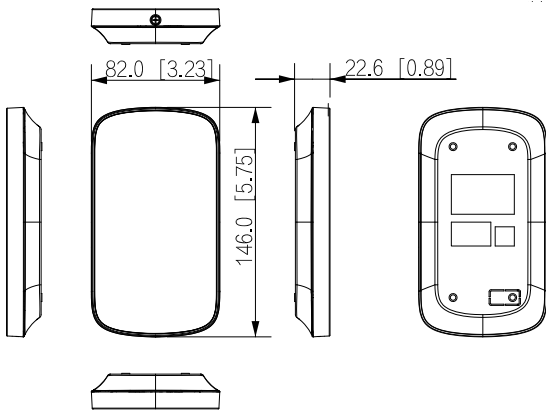


RF433



Wireless Keypad

Dimensions (mm[inch])



DHI-ARM310-W2(868)

Wireless input expander



- Six types of alarm: intrusion, medical, fire, emergency, gas, and tamper.
- NC and NO are available for alarm inputs (NO by default).
- Signal strength detection.
- Low battery alarm.
- Temperature monitoring.
- Frequency hopping function and two-way communication technology ensure communication stability.
- Cloud update and automatic recovery from update failure.

System Overview

Wireless input expander is a conversion device that connects to a detector through wired mode, and sends the message in wireless mode to the security system. It can be set up via the DMSS app for iOS and Android phones.

Scene

Mainly applied for villas, shops, apartments, etc.

Technical Specification

Port

Indicator Light	1 × green alarm indicator
Button	1 × power button
Protection Zone	1-channel dry contact input

Function

Tampering Alarm	Yes
Remote Upgrade	Cloud update
Low Battery Alarm	Yes
Test Mode	Yes
Search	Signal strength detection

Wireless

Carrier Frequency	868.0 MHz–868.6 MHz
Communication Distance	Up to 1,200 m (3,937.01 ft) in an open space
Communication Mechanism	Two-way
Frequency Hopping	Yes

Encryption Mode	AES128
-----------------	--------

General

Power Supply Mode	CR123A battery
Power Consumption	Max. 125 mW
Operating Temperature	−10 °C to +55 °C (+14 °F to +131 °F) (indoor)
Operating Humidity	10%–90% (RH)
Dimensions	100.2mm × 20.8mm × 20.3mm (3.94" × 0.82" × 0.80")
Package Dimensions	135.0 mm × 98.5 mm × 27.8mm (5.31" × 3.88" × 1.09")
Installation Mode	Bracket mount
Net Weight	70 g (0.15 lb)
Gross Weight	115 g (0.25 lb)
Certification	CE
Battery Life	4 years (The external input type is NO) 2 years (The external input type is NC or Pulse)
Casing Material	PC + ABS

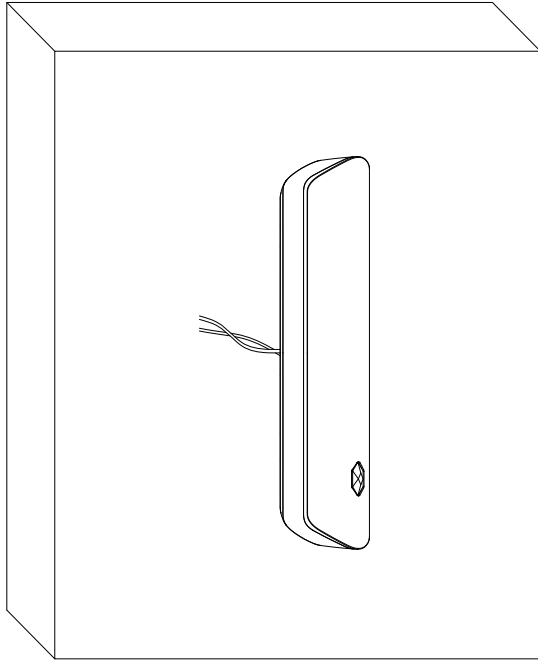
Temperature

Measurement Range	−15 °C to +65 °C (+5 °F to +149 °F) (indoor)
Measurement Precision	±1 °C (±1.8 °F)
Resolution	1 °C (33.8 °F)

Ordering Information

Type	Part Number	Description
Wireless input expander	DHI-ARM310-W2(868)	Single input transmitter

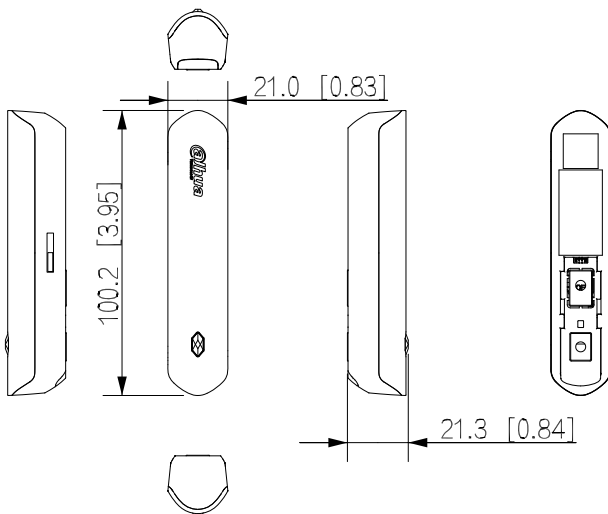
Installation



Application



Dimensions (mm[inch])



DHI-ARM310-W2

Wireless input expander



- Six types of alarm: intrusion, medical, fire, emergency, gas, and tamper.
- NC and NO are available for alarm inputs (NO by default).
- Signal strength detection.
- Low battery alarm.
- Temperature monitoring.
- Frequency hopping function and two-way communication technology ensure communication stability.
- Cloud update and automatic recovery from update failure.

System Overview

Wireless input expander is a conversion device that connects to a detector through wired mode, and sends the message in wireless mode to the security system. It can be set up via the DMSS app for iOS and Android phones.

Scene

Mainly applied for villas, shops, apartments, etc.

Technical Specification

Port

Indicator Light	1 × green alarm indicator
Button	1 × power button
Protection Zone	1-channel dry contact input

Function

Tampering Alarm	Yes
Remote Upgrade	Cloud update
Low Battery Alarm	Yes
Test Mode	Yes
Search	Signal strength detection

Wireless

Carrier Frequency	433.1 MHz–434.6 MHz
Communication Distance	Up to 1,000 m (3,280.84 ft) in an open space
Communication Mechanism	Two-way
Frequency Hopping	Yes

Encryption Mode	AES128
-----------------	--------

General

Power Supply Mode	CR123A battery
Power Consumption	Max. 70 mW
Operating Temperature	−10 °C to +55 °C (+14 °F to +131 °F) (indoor)
Operating Humidity	10%–90% (RH)
Dimensions	100.2mm × 20.8mm × 20.3mm (3.94" × 0.82" × 0.80")
Package Dimensions	135.0 mm × 98.5 mm × 27.8mm (5.31" × 3.88" × 1.09")
Installation Mode	Bracket mount
Net Weight	70 g (0.15 lb)
Gross Weight	115 g (0.25 lb)
Certification	CE
Battery Life	4 years (The external input type is NO) 2 years (The external input type is NC or Pulse)
Casing Material	PC + ABS

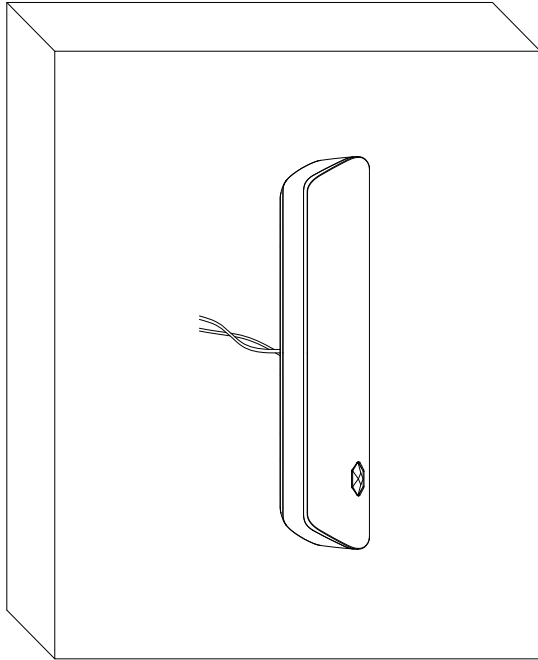
Temperature

Measurement Range	−15 °C to +65 °C (+5 °F to +149 °F) (indoor)
Measurement Precision	±1 °C (±1.8 °F)
Resolution	1 °C (33.8 °F)

Ordering Information

Type	Part Number	Description
Wireless input expander	DHI-ARM310-W2	Single input transmitter

Installation



Application



Alarm Hub



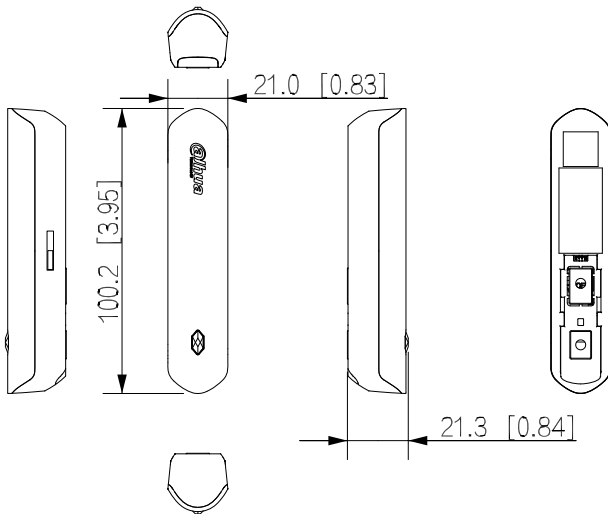
Wireless Input Expander

cable



Wired Detector

Dimensions (mm[inch])



DHI-ARM320-W2(868)

Dahua Wireless Input Expander



- Six types of alarms: Intrusion, medical, fire, emergency, gas, and tamper.
- Connects to external power supplies.
- Triggers alarms when the device is moved.
- Alarms go off when the device overheats.
- Cloud update.
- The two-way wireless encrypted communication mechanism improves the security and stability of communication.
- With the wireless frequency hopping mechanism, the device automatically hops to other available frequency bands when the original frequency band is being interfered with by other wireless radios, to ensure communication remains smooth.

System Overview

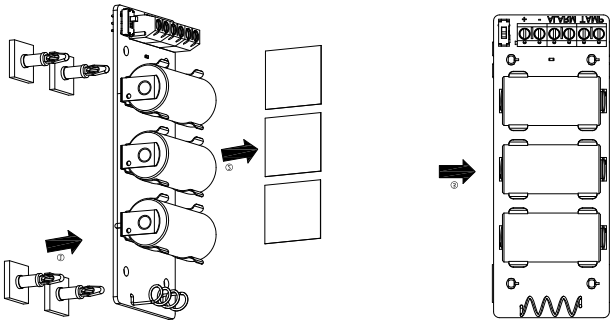
The Wireless Input Expander is a conversion device that connects third-party detectors to Dahua Wireless Hub. When the alarm of the third-party detector is triggered, the Expander sends the signal to the Hub through RF, and then the Hub reports it to platforms. Different alarm types can be configured on the DMSS app, depending on the types of connected detectors. The expander has a triaxial accelerometer in it to prevent the device from movement. An input channel is also provided to connect the tamper port of the third-party detectors. The Expander is powered by dry batteries, and can also provide power supply for detectors connected to it.

Technical Specification

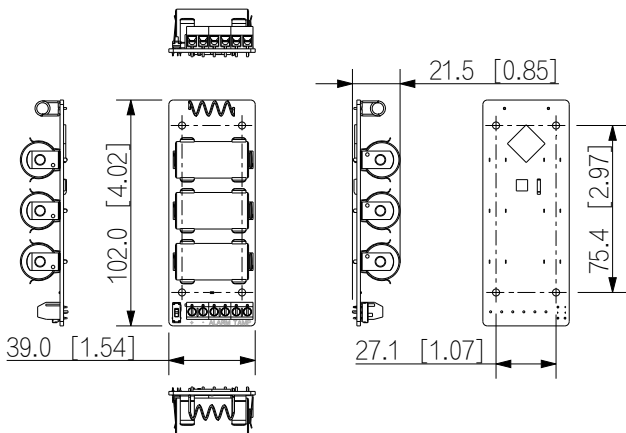
Port	
Alarm Input	2 (1 for alarm and 1 for anti-tampering)
Auxiliary Power Output	3.3 V, up to 10 mA
Function	
Button	1 × power button
Remote Update	Cloud update
Low Battery Detection	Yes
Tamper	Yes
Measuring Range (Temperature)	-10 °C to +55 °C (+14 °F to +131 °F) (indoor)
Technical	
Sensor	Triaxial accelerometer
LED Indicator	1 × green alarm indicator
Scenario	Indoor

Operating Current	45 uA (with 1 min heartbeat, normally open mode, charge not being provided for other devices and device moved alarm not enabled)
Alarm Current	50 mA
Wireless	
Carrier Frequency	868.0 MHz–868.6 MHz
Communication Mechanism	Two-way
Communication Distance	Up to 1600 m (5249.34 ft) in an open space
Encryption Mode	AES128
Frequency Hopping	Yes
General	
Power Supply	3 × CR123A battery
Battery Model	CR123A
Battery Life	5 years (4 years if the external input type is pulse)
Power Consumption	Max. 150 mW (without providing charge for other devices)
Operating Temperature	-10 °C to +55 °C (+14 °F to +131 °F) (indoor)
Operating Humidity	10%–90% (RH)
Product Dimensions	102 mm × 39 mm × 21.5 mm (4.02" × 1.54" × 0.85")
Net Weight	77 g (0.17 lb)
Gross Weight	135 g (0.30 lb)
Installation	Surface mount, or mount inside a third-party device
Certifications	CE
Anti-corrosion Level	Basic Protection
Packaging Dimensions	95 mm × 43 mm × 139 mm (3.74" × 1.69" × 5.47")

Installation



Dimensions (mm/inch)



DHI-ARM320-W2

Dahua Wireless Input Expander



- Six types of alarms: Intrusion, medical, fire, emergency, gas, and tamper.
- Connects to external power supplies.
- Triggers alarms when the device is moved.
- Alarms go off when the device overheats.
- Cloud update.
- The two-way wireless encrypted communication mechanism improves the security and stability of communication.
- With the wireless frequency hopping mechanism, the device automatically hops to other available frequency bands when the original frequency band is being interfered with by other wireless radios, to ensure communication remains smooth.

System Overview

The Wireless Input Expander is a conversion device that connects third-party detectors to Dahua Wireless Hub. When the alarm of the third-party detector is triggered, the Expander sends the signal to the Hub through RF, and then the Hub reports it to platforms. Different alarm types can be configured on the DMSS app, depending on the types of connected detectors. The expander has a triaxial accelerometer in it to prevent the device from movement. An input channel is also provided to connect the tamper port of the third-party detectors. The Expander is powered by dry batteries, and can also provide power supply for detectors connected to it.

Technical Specification

Port	
Alarm Input	2 (1 for alarm and 1 for anti-tampering)
Auxiliary Power Output	3.3 V, up to 10 mA
Function	
Button	1 × power button
Remote Update	Cloud update
Low Battery Detection	Yes
Tamper	Yes
Measuring Range (Temperature)	-10 °C to +55 °C (+14 °F to +131 °F) (indoor)
Technical	
Sensor	Triaxial accelerometer
Test Mode	Yes
LED Indicator	1 × green alarm indicator
Scenario	Indoor

Operating Current	45 uA (with 1 min heartbeat, normally open mode, charge not being provided for other devices and device moved alarm not enabled)
Alarm Current	50 mA

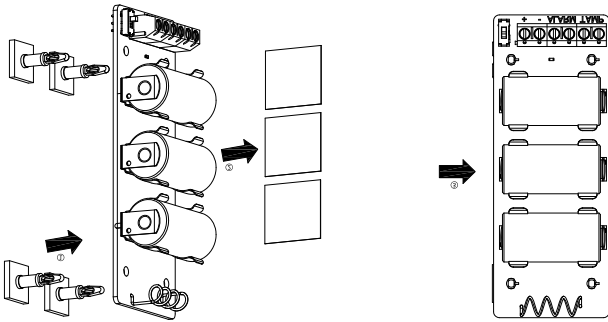
Wireless

Carrier Frequency	433.1 MHz–434.6 MHz
Communication Mechanism	Two-way
Communication Distance	Up to 1300 m (4265.10 ft) in an open space
Encryption Mode	AES128
Frequency Hopping	Yes

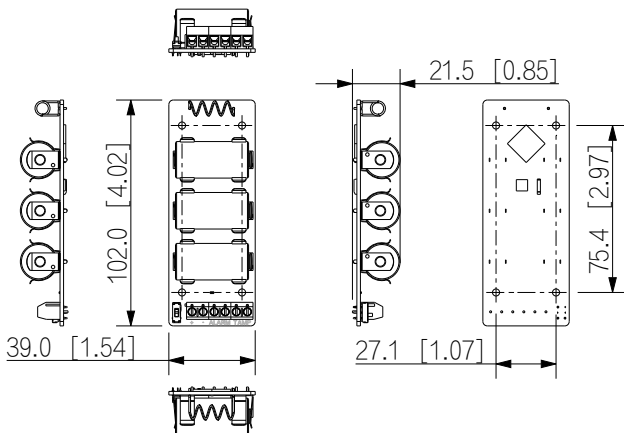
General

Power Supply	3 × CR123A battery
Battery Model	CR123A
Battery Life	5 years (4 years if the external input type is pulse)
Power Consumption	Max. 150 mW (without providing charge for other devices)
Operating Temperature	-10 °C to +55 °C (+14 °F to +131 °F) (indoor)
Operating Humidity	10%–90% (RH)
Product Dimensions	102 mm × 39 mm × 21.5 mm (4.02" × 1.54" × 0.85")
Net Weight	77 g (0.17 lb)
Gross Weight	135 g (0.30 lb)
Installation	Surface mount, or mount inside a third-party device
Certifications	CE
Anti-corrosion Level	Basic Protection
Packaging Dimensions	95 mm × 43 mm × 139 mm (3.74" × 1.69" × 5.47")

Installation



Dimensions (mm/inch)



DHI-ARM7011-W2(868)

Dahua Wireless Relay



System Overview

Relay is a dry contact device that is used to remotely control 0–36 VDC power. The dry contact of the relay is electrically isolated from the power supply circuit of the device. Relay can be used in low-voltage to control the supply of power to other devices. The device comes with overvoltage protection and overheating protection.

Technical Specification

Port

Alarm Input	1 for tamper, NO/NC
Relay Output	1, NO/NC (0–36 VDC, Max 5A)

Function

Indicator Light	1 for multiple statuses (pairing, communication)
Button	1
Remote Update	Cloud update

Technical

Test Mode	Yes
-----------	-----

Wireless

Carrier Frequency	868.0 MHz–868.6 MHz
Communication Mechanism	Two-way
Communication Distance	1200 m (3937.01 ft) in open areas
Encryption Mode	AES128
Frequency Hopping	Yes

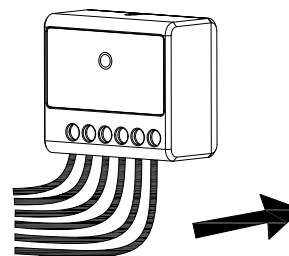
General

Power Supply	7–24 VDC
Operating Temperature	–10 °C to +55 °C (+14 °F to +131 °F) (indoor)

- Frequency hopping and two-way communication technology ensure that communication is stable.
- Supports jamming detection and communication encryption.
- Supports cloud update and automatically restores when cloud update fails.
- Overheating protection.
- Voltage detection.
- 1 channel external tamper input.

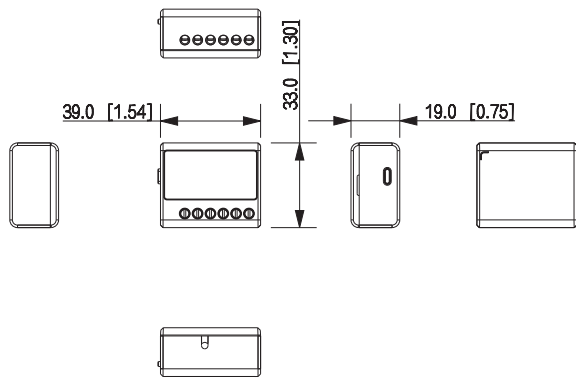
Operating Humidity	10%–90% (RH)
Storage Temperature	–10 °C to +55 °C (+14 °F to +131 °F)
Storage Humidity	10%–90% (RH)
Product Dimensions	39 mm × 33 mm × 19 mm (1.54" × 1.30" × 0.75")
Packaging Dimensions	95 mm × 59.5 mm × 30.5 mm (3.74" × 2.34" × 1.20")
Net Weight	45 g (0.10 lb)
Gross Weight	60 g (0.13 lb)
Installation	Wall mount
Casing Material	PC + ABS
Certifications	CE

Installation

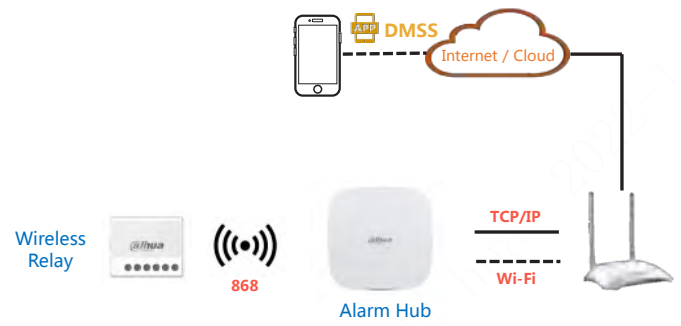


Wireless Relay | DHI-ARM7011-W2(868)

Dimensions (mm[inch])



Application



DHI-ARM7011-W2

Dahua Wireless Relay



System Overview

Relay is a dry contact device that is used to remotely control 0–36 VDC power. The dry contact of the relay is electrically isolated from the power supply circuit of the device. Relay can be used in low-voltage to control the supply of power to other devices. The device comes with overvoltage protection and overheating protection.

Technical Specification

Port

Alarm Input	1 for tamper, NO/NC
Relay Output	1, NO/NC (0–36 VDC, Max 5A)

Function

Indicator Light	1 for multiple statuses (pairing, communication)
Button	1
Remote Update	Cloud update

Technical

Test Mode	Yes
-----------	-----

Wireless

Carrier Frequency	433.1 MHz–434.6 MHz
Communication Mechanism	Two-way
Communication Distance	800 m (2624.67 ft) in open areas
Encryption Mode	AES128
Frequency Hopping	Yes

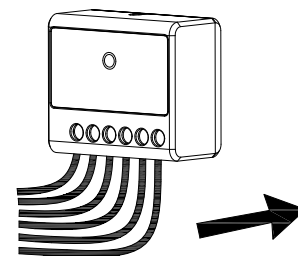
General

Power Supply	7–24 VDC
Operating Temperature	–10 °C to +55 °C (+14 °F to +131 °F) (indoor)

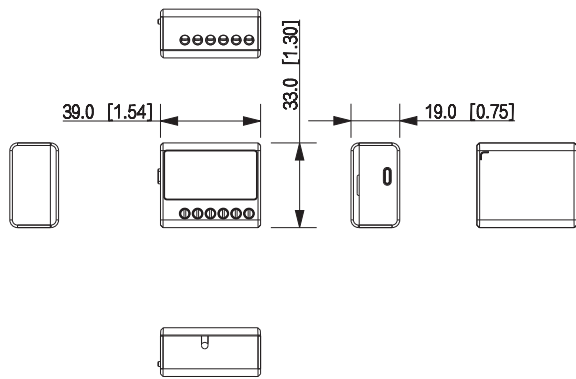
- Frequency hopping and two-way communication technology ensure that communication is stable.
- Supports jamming detection and communication encryption.
- Supports cloud update and automatically restores when cloud update fails.
- Overheating protection.
- Voltage detection.
- 1 channel external tamper input.

Operating Humidity	10%–90% (RH)
Storage Temperature	–10 °C to +55 °C (+14 °F to +131 °F)
Storage Humidity	10%–90% (RH)
Product Dimensions	39 mm × 33 mm × 19 mm (1.54" × 1.30" × 0.75")
Packaging Dimensions	95 mm × 59.5 mm × 30.5 mm (3.74" × 2.34" × 1.20")
Net Weight	45 g (0.10 lb)
Gross Weight	60 g (0.13 lb)
Installation	Wall mount
Casing Material	PC + ABS
Certifications	CE, FCC

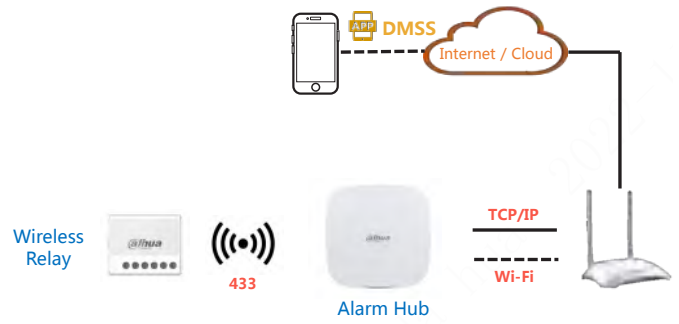
Installation



Dimensions (mm[inch])



Application



DHI-ARM7012-W2(868)

Dahua Wireless WallSwitch



System Overview

WallSwitch is a power switch that can be used to remotely control 100–240 VAC power. The output terminal N is directly connected to the power input terminal N, and the connection between the output terminal L and the power input terminal L is controlled through opening and closing of the built-in relay. The switch not only measures power consumption, but also comes with protection against overvoltage, overload and overheating.

Technical Specification

Port

Relay Output	1, NO/NC (100–240 VAC, Max 13A)
--------------	---------------------------------

Function

Indicator Light	1 for multiple statuses (pairing, communication)
Button	1
Remote Update	Cloud update

Technical

Test Mode	Yes
-----------	-----

Wireless

Carrier Frequency	868.0 MHz–868.6 MHz
Communication Mechanism	Two-way
Communication Distance	1200 m (3937.01 ft) in open areas
Encryption Mode	AES128
Frequency Hopping	Yes

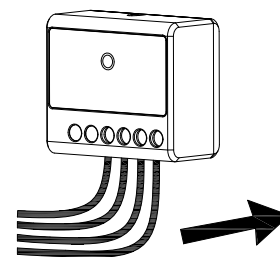
General

Power Supply	100–240 VAC, 50/60 HZ
Operating Temperature	–10 °C to +55 °C (+14 °F to +131 °F) (indoor)

- Frequency hopping and two-way communication technology ensure that communication is stable.
- Supports jamming detection and communication encryption.
- Supports cloud update and automatically restores when cloud update fails.
- Overheat and overload protection.
- Monitors voltage, current and energy consumption.

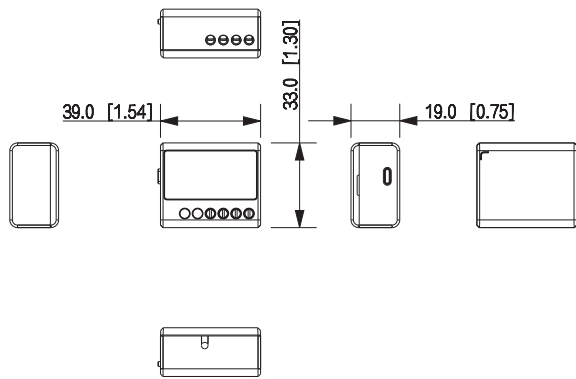
Operating Humidity	10%–90% (RH)
Storage Temperature	–10 °C to +55 °C (+14 °F to +131 °F)
Storage Humidity	10%–90% (RH)
Product Dimensions	39 mm × 33 mm × 19 mm (1.54" × 1.30" × 0.75")
Packaging Dimensions	95 mm × 59.5 mm × 30.5 mm (3.74" × 2.34" × 1.20")
Net Weight	45 g (0.10 lb)
Gross Weight	60 g (0.13 lb)
Installation	Wall mount
Casing Material	Plastic
Certifications	CE

Installation

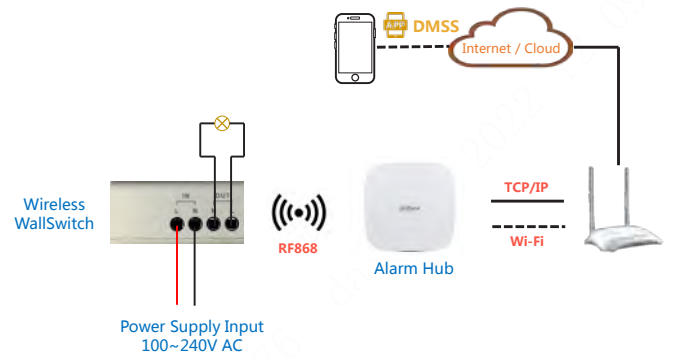


Wireless WallSwitch | DHI-ARM7012-W2(868)

Dimensions (mm[inch])



Application



DHI-ARM7012-W2

Dahua Wireless WallSwitch



System Overview

WallSwitch is a power switch that can be used to remotely control 100–240 VAC power. The output terminal N is directly connected to the power input terminal N, and the connection between the output terminal L and the power input terminal L is controlled through opening and closing of the built-in relay. The switch not only measures power consumption, but also comes with protection against overvoltage, overload and overheating.

Technical Specification

Port

Relay Output	1, NO/NC (100–240 VAC, Max 13 A)
--------------	----------------------------------

Function

Indicator Light	1 for multiple statuses (pairing, communication)
Button	1
Remote Update	Cloud update

Technical

Test Mode	Yes
-----------	-----

Wireless

Carrier Frequency	433.1 MHz–434.6 MHz
Communication Mechanism	Two-way
Communication Distance	800 m (2624.67 ft) in open areas
Encryption Mode	AES128
Frequency Hopping	Yes

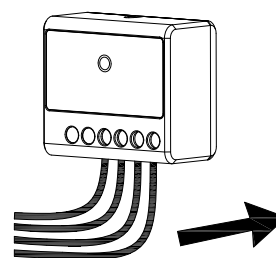
General

Power Supply	100–240 VAC, 50/60 HZ
Operating Temperature	–10 °C to +55 °C (+14 °F to +131 °F) (indoor)

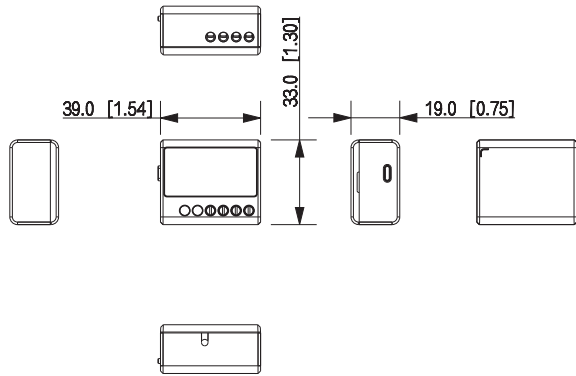
- Frequency hopping and two-way communication technology ensure that communication is stable.
- Supports jamming detection and communication encryption.
- Supports cloud update and automatically restores when cloud update fails.
- Overheat and overload protection.
- Monitors voltage, current and energy consumption.

Operating Humidity	10%–90% (RH)
Storage Temperature	–10 °C to +55 °C (+14 °F to +131 °F)
Storage Humidity	10%–90% (RH)
Product Dimensions	39 mm × 33 mm × 19 mm (1.54" × 1.30" × 0.75")
Packaging Dimensions	95 mm × 59.5 mm × 30.5 mm (3.74" × 2.34" × 1.20")
Net Weight	45 g (0.10 lb)
Gross Weight	60 g (0.13 lb)
Installation	Wall mount
Casing Material	Plastic
Certifications	CE

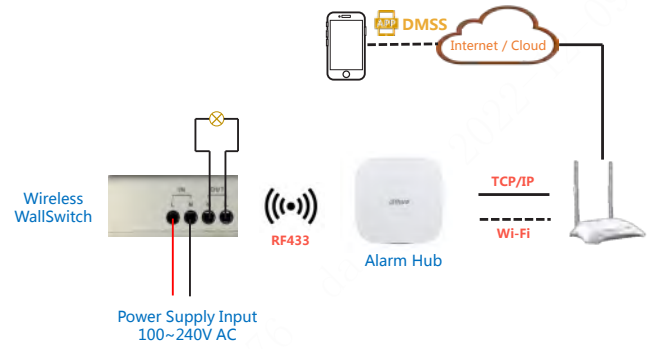
Installation



Dimensions (mm[inch])



Application



DHI-ICS1-W2(868)

Smart Plug



The Smart Plug is a highly intuitive power switch. It can be remotely controlled through the mobile app, scheduled to turn on and off, and set to activate automatically when alarms are triggered or the system is armed or disarmed.

Scene

Suitable for scenes where remote control, electrical safety and energy efficiency are prioritized such as houses, stores and office buildings.

Technical Specification

Port

Relay Output	1 port, NO/NC (100–240 VAC, max 16 A)
--------------	---------------------------------------

Wireless

Indicator Light	1 indicator light, displays multiple status Flash green: pairing Solid green: the circuit is closed Light off: the circuit is open
Remote Update	Supports cloud update
Button	1 button, perform multiple operations (open/close the circuit, restore to the factory settings and pair)
Signal Strength	Supports detecting signal strength.
Carrier Frequency	868 MHz
Communication Distance	In an open environment: 1,600 m (5249.34 ft)
Transmit Power	16 dBm
Communication Mechanism	Two-way communication.
Encryption	AES-128
Frequency Hopping	Yes

- Two-way RF communication.
- Displays the status with an LED indicator.
- Supports cloud update and auto recovery after an update fails.
- Offers protection against overcurrent, overvoltage, and overheating.
- Measure the voltage, current and temperature.
- Generates power consumption statistics and it can be reset to clear the statistics.
- Output control mode can be selected between bistable and pulse modes.

General

Operating Temperature	Indoor: -10 °C to +55 °C (+14 °F to +131 °F)
Operating Humidity	10%–90%(RH), non-condensing
Storage Temperature	-10 °C to +55 °C (+14 °F to +131 °F)
Storage Humidity	10%–90%(RH), non-condensing
Power Supply	100–240 VAC, 50/60 Hz
Product Dimensions	52 mm × 52 mm × 82 mm (2.05" × 2.05" × 8.32") (L × W × H)
Installation	With power strip/2 Pin
Net Weight	83 g (0.18 lb)
Power Consumption	0.3 W
Certifications	CE
Casing Material	PC

Data Monitoring

Data Monitoring	Yes
Data Type	Current; voltage; temperature

Accuracy

Current Measurement Accuracy	Protection range: 0 A–16 A Measurement Accuracy: level 1.0 and above.
Voltage Measurement Accuracy	Protection range: 0 V –250 V Measurement Accuracy: level 1.0 and above.
Internal Temperature Monitoring Accuracy	Protection range: 0°C –55 °C Measurement Accuracy: ±2% or ±2 °C

Alarm

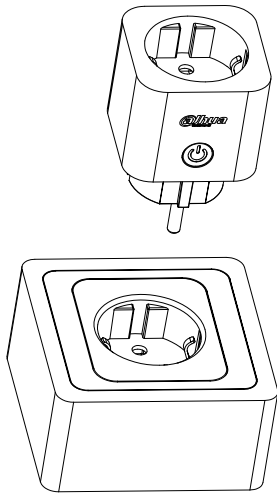
Alarm Type	Alarm for overcurrent, overvoltage, and overheating
------------	---

Smart Plug | DHI-ICS1-W2(868)

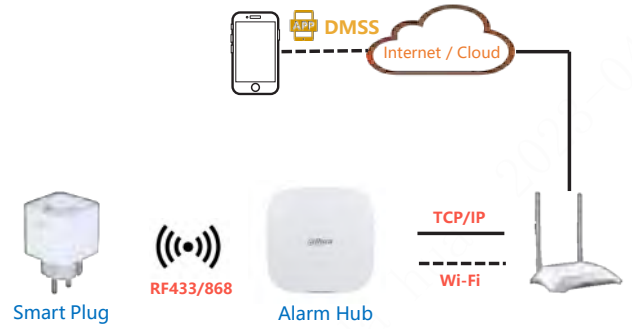
Ordering Information

Type	Model	Description
Smart Plug	DHI-ICS1-W2(868)	Smart Plug

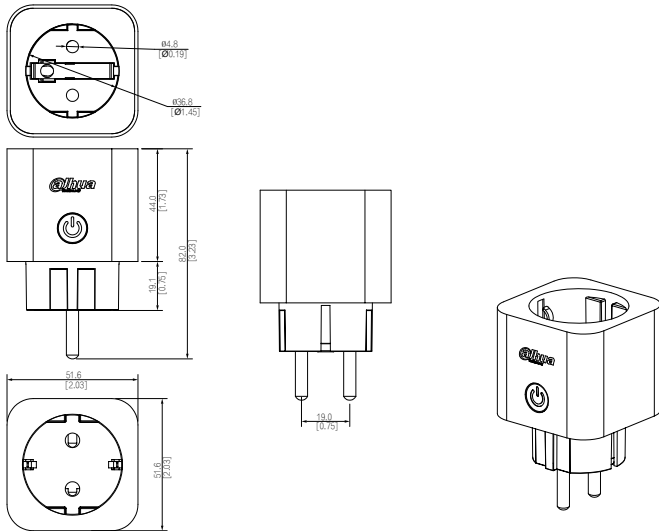
Installation



Application



Dimensions (mm[inch])



DHI-ICS1-W2

Smart Plug



The Smart Plug is a highly intuitive power switch. It can be remotely controlled through the mobile app, scheduled to turn on and off, and set to activate automatically when alarms are triggered or the system is armed or disarmed.

Scene

Suitable for scenes where remote control, electrical safety and energy efficiency are prioritized such as houses, stores and office buildings.

Technical Specification

Port

Relay Output	1 port, NO/NC (100–240 VAC, max 16 A)
--------------	---------------------------------------

Wireless

Indicator Light	1 indicator light, displays multiple status Flash green: pairing Solid green: the circuit is closed Light off: the circuit is open
Remote Update	Supports cloud update
Button	1 button, perform multiple operations (open/close the circuit, restore to the factory settings and pair)
Signal Strength	Supports detecting signal strength.
Carrier Frequency	433 MHz
Communication Distance	In an open environment: 800 m (2,624.67 ft)
Transmit Power	12 dbm
Communication Mechanism	Two-way communication.
Encryption	AES-128
Frequency Hopping	Yes

- Two-way RF communication.
- Displays the status with an LED indicator.
- Supports cloud update and auto recovery after an update fails.
- Offers protection against overcurrent, overvoltage, and overheating.
- Measure the voltage, current and temperature.
- Generates power consumption statistics and it can be reset to clear the statistics.
- Output control mode can be selected between bistable and pulse modes.

General

Operating Temperature	Indoor: -10 °C to +55 °C (+14 °F to +131 °F)
Operating Humidity	10%–90% (RH), non-condensing
Storage Temperature	-10 °C to +55 °C (+14 °F to +131 °F)
Storage Humidity	10%–90% (RH), non-condensing
Power Supply	100–240 VAC, 50/60 Hz
Product Dimensions	52 mm × 52 mm × 82 mm (2.05" × 2.05" × 8.32") (L × W × H)
Installation	With power strip/2 Pin
Net Weight	83 g (0.18 lb)
Power Consumption	0.3 W
Certifications	CE
Casing Material	PC

Data Monitoring

Data Monitoring	Yes
Data Type	Current; voltage; temperature

Accuracy

Current Measurement Accuracy	Protection range: 0 A-16 A Measurement Accuracy: level 1.0 and above.
Voltage Measurement Accuracy	Protection range: 0 V-250 V Measurement Accuracy: level 1.0 and above.
Internal Temperature Monitoring Accuracy	Protection range: 0 °C–55 °C Measurement Accuracy: ±2% or ±2 °C

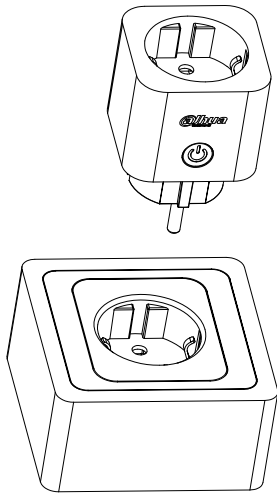
Alarm

Alarm Type	Alarm for overcurrent, overvoltage, and overheating
------------	---

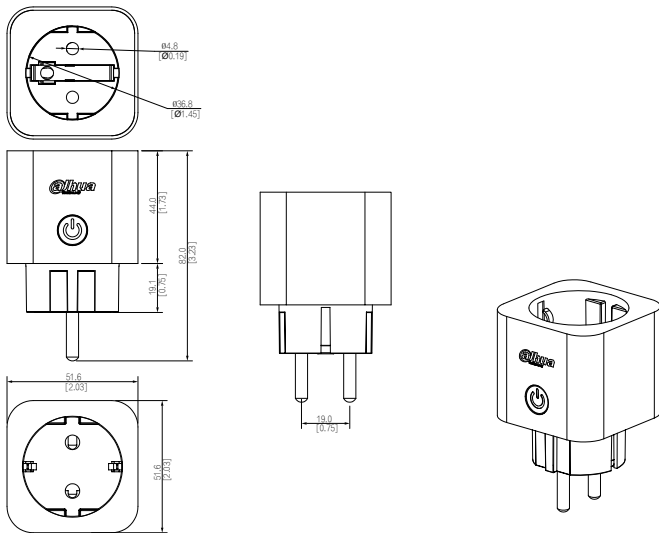
Ordering Information

Type	Model	Description
Smart Plug	DHI-ICS1-W2	Smart Plug

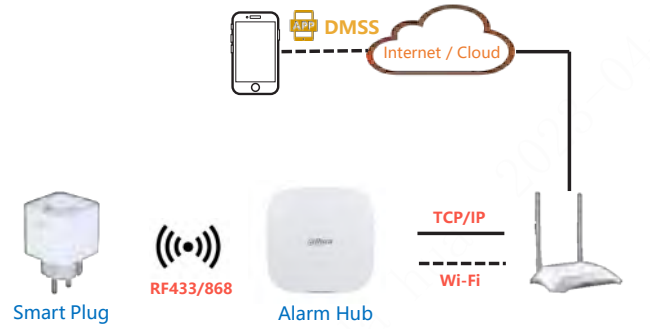
Installation



Dimensions (mm[inch])



Application





KITS
SANS FILS



DHI-ART-ARC3000H-03-FW2(868)

Alarm KIT



System Overview

An all new industrial design and advanced technological system, makes the new generation of wireless alarm products easier to install, look better, communicate more reliably and perform more stably. From the comfort of the mobile apps DMSS (for end users) and COS Pro (for installers), receive notifications in real-time, control and manage your devices, perform remote operations, and more.

Scene

Mainly applied for villas, shops, apartments, etc.

Technical Specification

Input and Output

Wireless Protection Zone	Hub: 150-channel wireless peripherals (6 sirens, 64 wireless keyfobs)
--------------------------	---

Port

Buzzer	Hub: Built-in
--------	---------------

Button	Hub: 1 × reset, 1 × power, 1 × AP Keyfob: 4 (Home, Away, Disarm, and SOS) Door Detector: 1 × power button PIR Detector: 1 × power button
--------	---

Indicator Light	Hub: 1 for multiple statuses (alarm, arming, disarming, networking, and malfunction) Keyfob: 1 × two-color status indicator (green: normal, red: abnormal) Door Detector: 1 × green alarm indicator PIR Detector: 1 × green alarm indicator
-----------------	--

Storage battery	Hub: Built-in lithium battery
-----------------	-------------------------------

Network Mode	Single SIM (GSM:900/1800 MHz, WCDMA:B1/B5/B8, LTE-FDD:B1/B3/B5/B7/B8/B20, LTE-TDD:B38/B40/B41); dual SIM single standby
--------------	---

Network Port	Hub: 1 × RJ-45 10 M/100 M Ethernet port
--------------	---

Function

Network Protocol	Hub: TCP/IP, including PPTP, L2TP, DHCP, UPNP, and NTP
------------------	--

- Supports 150 wireless peripherals (6 sirens, 64 wireless keyfobs).
- Peripherals status display (signal strength, battery level, temperature, program version).
- Dual SIM and Single Standby, auto switching.
- Automatic network replenishment (ANR).
- Video linkage on App.
- SOS emergency alarm.
- Frequency hopping function and two-way communication technology ensure communication stability.
- Cloud update and automatic recovery from update failure.

Offline Cache	Hub: Max. 50 entries (ANR)
Power Failure Protection for Configured Parameters	Hub: Yes
Remote Update	All: Cloud update
Video Linkage	Hub: Yes
SMS	Hub: Yes (up to 5 phone numbers)
Phone Call	Hub: Yes (up to 5 phone numbers)
Low Battery Alarm	All: Yes
Tamper Alarm	Hub: Yes Door Detector: Yes PIR Detector: Yes
User Management	Hub: Share function for App users
Search	Hub: Searching push messages, device status, and program version. Detecting signal strength. Keyfob: Signal strength detection Door Detector: Signal strength detection PIR Detector: Signal strength detection
Arm and Disarm	Hub: App; keyfob; schedule

Wireless

Carrier Frequency	All: 868.0 MHz–868.6 MHz
Communication Distance	Hub: Up to 2,000 m (6,561.68 ft) in an open space Keyfob: Up to 900 m (2,952.76 ft) in an open space Door Detector: Up to 1,200 m (3,937.01 ft) in an open space PIR Detector: Up to 1,600 m (5,249.34 ft) in an open space
Communication Mechanism	All: Two-way
Encryption Mode	All: AES128
Frequency Hopping	All: Yes
Wi-Fi	Hub: 2.4G

Peripherals

External Zone	Door Detector: 1-channel dry contact input
---------------	--

Temperature

Measuring Range (Temperature)	Door Detector: -15 °C to +65 °C (+18.8 °F to +149 °F) (indoor) PIR Detector: -15 °C to +65 °C (+18.8 °F to +149 °F) (indoor)
Measuring Precision (Temperature)	Door Detector: ± 1 °C (± 33.8 °F) PIR Detector: ± 1 °C (± 33.8 °F)
Resolution (Temperature)	Door Detector: 1 °C (33.8 °F) PIR Detector: 1 °C (33.8 °F)

Specification

Sensor	Door Detector: Reed switch PIR Detector: Dual elements low-noise PIR sensor
Test Mode	Door Detector: Yes PIR Detector: Yes
Scenario	Door Detector: Non-metal doors
Movement Distance	Door Detector: < 40 mm (1.57")
Detection Mode	PIR Detector: PIR
Detection Range	PIR Detector: 12 m (39.37 ft) (90°) with installation height of 2.2 m (7.21 ft)
Detection Speed	PIR Detector: 0.3 m/s-3 m/s (0.98 ft/s-9.84 ft/s)
Pet Immunity Level	PIR Detector: ≤ 18 kg (39.68 lb)
White Light Resistance Level	PIR Detector: 6500 lx
Two-way Digital Temperature Compensation	PIR Detector: Yes, no attenuation of detection distance in high temperature
Sensitivity	PIR Detector: 3 levels adjustable

General

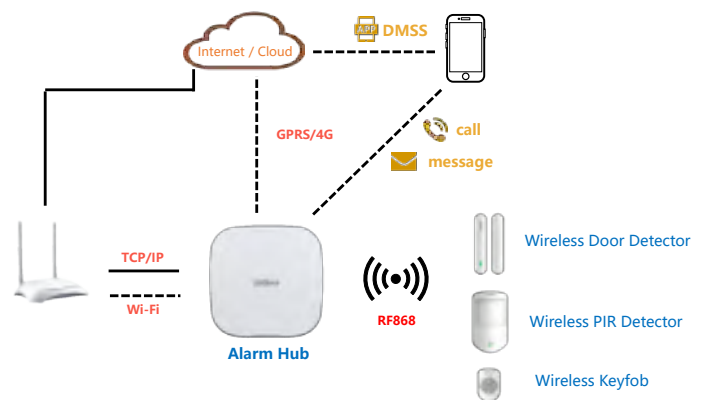
Power Supply	Hub: 12 V DC, 1.5 A (Europe, UK and USA power adapters are optional) Keyfob: CR2032 battery Door Detector: CR123A battery PIR Detector: CR123A battery
Battery Life	Hub: Storage battery standby for 12 Hours Keyfob: 5 years Door Detector: 5 years PIR Detector: 4 years
Power Consumption	Keyfob: Max. 100 mW Door Detector: Max. 125 mW PIR Detector: Max. 120 mW
Operating environment	Hub: -10 °C to +50 °C (+14 °F to +122 °F) (indoor) Keyfob: -10 °C to +55 °C (+14 °F to +131 °F) (indoor) Door Detector: -10 °C to +55 °C (+14 °F to +131 °F) (indoor) PIR Detector: -10 °C to +55 °C (+14 °F to +131 °F) (indoor)
Operating Humidity	All: 10%-90% (RH)

Product Dimensions	Hub: 163.0 mm × 163.0 mm × 32.0 mm (6.42" × 6.42" × 1.26") (L × W × H) Keyfob: 60.0 mm × 39.5 mm × 15.0 mm (2.36" × 1.56" × 0.59") (L × W × H) Door Detector: 100.2 mm × 20.8 mm × 20.3 mm (3.94" × 0.82" × 0.80") (L × W × H) PIR Detector: 104.0 mm × 60.0 mm × 50.0 mm (4.09" × 2.36" × 1.97") (L × W × H)
Packaging Dimensions	Hub: 219.0 mm × 187.0 mm × 91.0 mm (8.62" × 7.36" × 3.58") (L × W × H) Keyfob: 135.0 mm × 98.5 mm × 27.8 mm (5.31" × 3.88" × 1.09") (L × W × H) Door Detector: 135.0 mm × 98.5 mm × 27.8 mm (5.31" × 3.88" × 1.09") (L × W × H) PIR Detector: 135.0 mm × 98.5 mm × 56.8 mm (5.31" × 3.88" × 2.24") (L × W × H)
Installation	Hub: Wall mount; Desktop Door Detector: Bracket mount PIR Detector: Wall mount
Net Weight	Hub: 0.38 Kg (0.84 lb) Keyfob: 20 g (0.04 lb) Door Detector: 70 g (0.15 lb) PIR Detector: 100 g (0.22 lb)
Gross Weight	Hub: 0.8 Kg (1.76 lb) Keyfob: 65 g (0.14 lb) Door Detector: 115 g (0.25 lb) PIR Detector: 170 g (0.37 lb)
Casing	All: PC + ABS
Certifications	All: CE

Ordering Information

Type	Model	Description
Alarm KIT	DHI-ART-ARC3000H-03-FW2(868)	Alarm hub (4G/Europe power adapter by default; UK and USA power adapters are optional), wireless keyfob, wireless door detector, wireless PIR detector.

Application



DHI-ART-ARC3000H-03-FW2

Alarm KIT



- Supports 150 wireless peripherals (6 sirens, 64 wireless keyfobs).
- Peripherals status display (signal strength, battery level, temperature, program version).
- Wired, Wi-Fi, 4G, 3G or GPRS network connection.
- Dual SIM and Single Standby, auto switching.
- Automatic network replenishment (ANR).
- Video linkage on App.
- SOS emergency alarm.
- Frequency hopping function and two-way communication technology ensure communication stability.
- Cloud update and automatic recovery from update failure.

System Overview

An all new industrial design and advanced technological system, makes the new generation of wireless alarm products easier to install, look better, communicate more reliably and perform more stably. From the comfort of the mobile apps DMSS (for end users) and COS Pro (for installers), receive notifications in real-time, control and manage your devices, perform remote operations, and more.

Scene

Mainly applied for villas, shops, apartments, etc.

Technical Specification

Input and Output

Wireless Protection Zone	Hub: 150-channel wireless peripherals (6 sirens, 64 wireless keyfobs)
Button	1 × power button

Port

Buzzer	Hub: Built-in
Button	Hub: 1 × reset, 1 × power, 1 × AP Keyfob: 4 (Home, Away, Disarm, and SOS) Door Detector: 1 × power button PIR Detector: 1 × power button
Indicator Light	Hub: 1 for multiple statuses (alarm, arming, disarming, networking, and malfunction) Keyfob: 1 × two-color status indicator (green: normal, red: abnormal) Door Detector: 1 × green alarm indicator PIR Detector: 1 × green alarm indicator

Storage battery	Hub: Built-in lithium battery
Network Mode	Europe: GSM:900/1800 MHz, WCDMA:B1/B5/B8, LTE-FDD:B1/B3/B5/B7/B8/B20, LTE-TDD:B38/B40/B41; USA: GSM:850/900/1800/1900 MHz, WCDMA:B1/B2/B5/B8, LTE-FDD:B1/B2/B3/B4/B5/B7/B8/B28, LTE-TDD:B40; Dual SIM single standby

Network Port	Hub: 1 × RJ-45 10 M/100 M Ethernet port
--------------	---

Function

Network Protocol	Hub: TCP/IP, including PPTP, L2TP, DHCP, UPNP, and NTP
Offline Cache	Hub: Max. 50 entries (ANR)
Power Failure Protection for Configured Parameters	Hub: Yes
Remote Update	All: Cloud update
Video Linkage	Hub: Yes
SMS	Hub: Yes (up to 5 phone numbers)
Phone Call	Hub: Yes (up to 5 phone numbers)
Low Battery Alarm	All: Yes
Tamper Alarm	Hub: Yes Door Detector: Yes PIR Detector: Yes
User Management	Hub: Share function for App users
Search	Hub: Searching push messages, device status, and program version. Detecting signal strength. Keyfob: Signal strength detection Door Detector: Signal strength detection PIR Detector: Signal strength detection
Arm and Disarm	Hub: App; keyfob; schedule

Wireless

Carrier Frequency	All: 433.1 MHz–434.6 MHz
Communication Distance	Hub: Up to 1,200 m (3,937.01 ft) in an open space Keyfob: Up to 500 m (1,640.42 ft) in an open space Door Detector: Up to 1,000 m (3,280.84 ft) in an open space PIR Detector: Up to 1,200 m (3,937.01 ft) in an open space
Communication Mechanism	All: Two-way

Encryption Mode	All: AES128
Frequency Hopping	All: Yes
Wi-Fi	Hub: 2.4G

Peripherals

External Zone	Door Detector: 1-channel dry contact input
---------------	--

Temperature

Measuring Range (Temperature)	Door Detector: -15 °C to +65 °C (+18.8 °F to +149 °F) (indoor) PIR Detector: -15 °C to +65 °C (+18.8 °F to +149 °F) (indoor)
Measuring Precision (Temperature)	Door Detector: ± 1 °C (± 33.8 °F) PIR Detector: ± 1 °C (± 33.8 °F)
Resolution (Temperature)	Door Detector: 1 °C (33.8 °F) PIR Detector: 1 °C (33.8 °F)

Specification

Sensor	Door Detector: Reed switch PIR Detector: Dual elements low-noise PIR sensor
Test Mode	Door Detector: Yes PIR Detector: Yes
Scenario	Door Detector: Non-metal doors
Movement Distance	Door Detector: < 40 mm (1.57")
Detection Mode	PIR Detector: PIR
Detection Range	PIR Detector: 12 m (39.37 ft) (90°) with installation height of 2.2 m (7.21 ft)
Detection Speed	PIR Detector: 0.3 m/s-3 m/s (0.98 ft/s-9.84 ft/s)
Pet Immunity Level	PIR Detector: ≤ 18 kg (39.68 lb)
White Light Resistance Level	PIR Detector: 6500 lx
Two-way Digital Temperature Compensation	PIR Detector: Yes, no attenuation of detection distance in high temperature
Sensitivity	PIR Detector: 3 levels adjustable

General

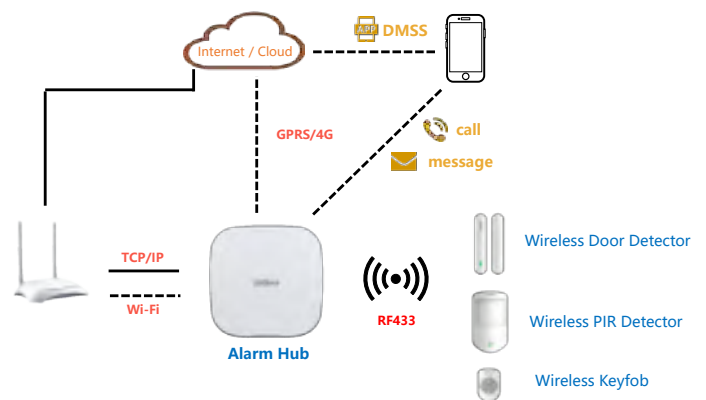
Power Supply	Hub: 12 V DC, 1.5 A (Europe, UK and USA power adapters are optional) Keyfob: CR2032 battery Door Detector: CR123A battery PIR Detector: CR123A battery
Battery Life	Hub: Storage battery standby for 12 Hours Keyfob: 5 years Door Detector: 5 years PIR Detector: 4 years
Power Consumption	Keyfob: Max. 85 mW Door Detector: Max. 70 mW PIR Detector: Max. 75 mW
Operating environment	Hub: -10 °C to +50 °C (+14 °F to +122 °F) (indoor) Keyfob: -10 °C to +55 °C (+14 °F to +131 °F) (indoor) Door Detector: -10 °C to +55 °C (+14 °F to +131 °F) (indoor) PIR Detector: -10 °C to +55 °C (+14 °F to +131 °F) (indoor)
Operating Humidity	All: 10%-90% (RH)

Product Dimensions	Hub: 163.0 mm × 163.0 mm × 32.0 mm (6.42" × 6.42" × 1.26") (L × W × H) Keyfob: 60.0 mm × 39.5 mm × 15.0 mm (2.36" × 1.56" × 0.59") (L × W × H) Door Detector: 100.2 mm × 20.8 mm × 20.3 mm (3.94" × 0.82" × 0.80") (L × W × H) PIR Detector: 104.0 mm × 60.0 mm × 50.0 mm (4.09" × 2.36" × 1.97") (L × W × H)
Packaging Dimensions	Hub: 219.0 mm × 187.0 mm × 91.0 mm (8.62" × 7.36" × 3.58") (L × W × H) Keyfob: 135.0 mm × 98.5 mm × 27.8 mm (5.31" × 3.88" × 1.09") (L × W × H) Door Detector: 135.0 mm × 98.5 mm × 27.8 mm (5.31" × 3.88" × 1.09") (L × W × H) PIR Detector: 135.0 mm × 98.5 mm × 56.8 mm (5.31" × 3.88" × 2.24") (L × W × H)
Installation	Hub: Wall mount; Desktop Door Detector: Bracket mount PIR Detector: Wall mount
Net Weight	Hub: 0.38 Kg (0.84 lb) Keyfob: 20 g (0.04 lb) Door Detector: 70 g (0.15 lb) PIR Detector: 100 g (0.22 lb)
Gross Weight	Hub: 0.8 Kg (1.76 lb) Keyfob: 65 g (0.14 lb) Door Detector: 115 g (0.25 lb) PIR Detector: 170 g (0.37 lb)
Casing	All: PC + ABS
Certifications	All: CE

Ordering Information

Type	Model	Description
Alarm KIT	DHI-ART-ARC3000H-03-FW2	Alarm hub (4G/Europe power adapter by default; UK and USA power adapters are optional), wireless keyfob, wireless door detector, wireless PIR detector.

Application



DHI-ART-ARC3000H-03-GW2(868)

Alarm KIT



- Supports 150 wireless peripherals (6 sirens, 64 wireless keyfobs).
- Peripherals status display (signal strength, battery level, temperature, program version).
- Wired, Wi-Fi or GPRS network connection.
- Dual SIM and Single Standby, auto switching.
- Automatic network replenishment (ANR).
- Video linkage on App.
- SOS emergency alarm.
- Frequency hopping function and two-way communication technology ensure communication stability.
- Cloud update and automatic recovery from update failure.

System Overview

An all new industrial design and advanced technological system, makes the new generation of wireless alarm products easier to install, look better, communicate more reliably and perform more stably. From the comfort of the mobile apps DMSS (for end users) and COS Pro (for installers), receive notifications in real-time, control and manage your devices, perform remote operations, and more.

Scene

Mainly applied for villas, shops, apartments, etc.

Technical Specification

Input and Output

Wireless Protection Zone	Hub: 150-channel wireless peripherals (6 sirens, 64 wireless keyfobs)
--------------------------	---

Port

Buzzer	Hub: Built-in
--------	---------------

Button	Hub: 1 × reset, 1 × power, 1 × AP Keyfob: 4 (Home, Away, Disarm, and SOS) Door Detector: 1 × power button PIR Detector: 1 × power button
--------	---

Indicator Light	Hub: 1 for multiple statuses (alarm, arming, disarming, networking, and malfunction) Keyfob: 1 × two-color status indicator (green: normal, red: abnormal) Door Detector: 1 × green alarm indicator PIR Detector: 1 × green alarm indicator
-----------------	--

Storage battery	Hub: Built-in lithium battery
-----------------	-------------------------------

Network Mode	Hub: Single SIM (GSM:900/1800MHz); dual SIM single standby
--------------	--

Network Port	Hub: 1 × RJ-45 10 M/100 M Ethernet port
--------------	---

Function

Network Protocol	Hub: TCP/IP, including PPTP, L2TP, DHCP, UPNP, and NTP
------------------	--

Offline Cache	Hub: Max. 50 entries (ANR)
Power Failure Protection for Configured Parameters	Hub: Yes
Remote Update	All: Cloud update
Video Linkage	Hub: Yes
SMS	Hub: Yes (up to 5 phone numbers)
Phone Call	Hub: Yes (up to 5 phone numbers)
Low Battery Alarm	All: Yes
Tamper Alarm	Hub: Yes Door Detector: Yes PIR Detector: Yes
User Management	Hub: Share function for App users
Search	Hub: Searching push messages, device status, and program version. Detecting signal strength. Keyfob: Signal strength detection Door Detector: Signal strength detection PIR Detector: Signal strength detection
Arm and Disarm	Hub: App; keyfob; schedule

Wireless

Carrier Frequency	All: 868.0 MHz–868.6 MHz
Communication Distance	Hub: Up to 2,000 m (6,561.68 ft) in an open space Keyfob: Up to 900 m (2,952.76 ft) in an open space Door Detector: Up to 1,200 m (3,937.01 ft) in an open space PIR Detector: Up to 1,600 m (5,249.34 ft) in an open space
Communication Mechanism	All: Two-way
Encryption Mode	All: AES128
Frequency Hopping	All: Yes

Wi-Fi	Hub: 2.4G
Peripherals	
External Zone	Door Detector: 1-channel dry contact input
Temperature	
Measuring Range (Temperature)	Door Detector: -15 °C to +65 °C (+18.8 °F to +149 °F) (indoor) PIR Detector: -15 °C to +65 °C (+18.8 °F to +149 °F) (indoor)
Measuring Precision (Temperature)	Door Detector: ± 1 °C (± 33.8 °F) PIR Detector: ± 1 °C (± 33.8 °F)
Resolution (Temperature)	Door Detector: 1 °C (33.8 °F) PIR Detector: 1 °C (33.8 °F)

Specification

Sensor	Door Detector: Reed switch PIR Detector: Dual elements low-noise PIR sensor
Test Mode	Door Detector: Yes PIR Detector: Yes
Scenario	Door Detector: Non-metal doors
Movement Distance	Door Detector: < 40 mm (1.57")
Detection Mode	PIR Detector: PIR
Detection Range	PIR Detector: 12 m (39.37 ft) (90°) with installation height of 2.2 m (7.21 ft)
Detection Speed	PIR Detector: 0.3 m/s-3 m/s (0.98 ft/s-9.84 ft/s)
Pet Immunity Level	PIR Detector: ≤ 18 kg (39.68 lb)
White Light Resistance Level	PIR Detector: 6500 lx
Two-way Digital Temperature Compensation	PIR Detector: Yes, no attenuation of detection distance in high temperature
Sensitivity	PIR Detector: 3 levels adjustable

General

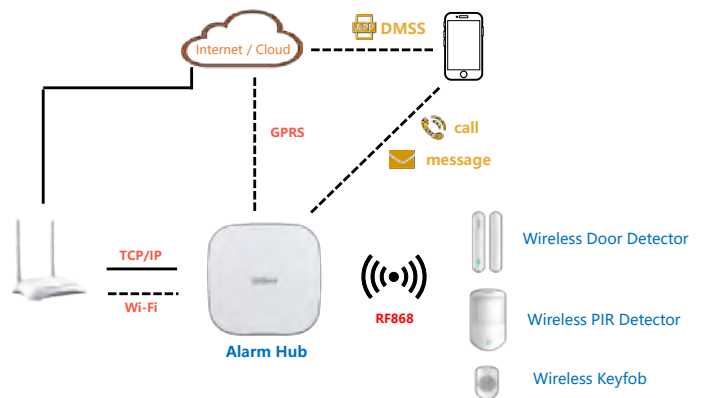
Power Supply	Hub: 12 V DC, 1.5 A (Europe, UK and USA power adapters are optional) Keyfob: CR2032 battery Door Detector: CR123A battery PIR Detector: CR123A battery
Battery Life	Hub: Storage battery standby for 12 Hours Keyfob: 5 years Door Detector: 5 years PIR Detector: 4 years
Power Consumption	Keyfob: Max. 85 mW Door Detector: Max. 70 mW PIR Detector: Max. 75 mW
Operating environment	Hub: -10 °C to +50 °C (+14 °F to +122 °F) (indoor) Keyfob: -10 °C to +55 °C (+14 °F to +131 °F) (indoor) Door Detector: -10 °C to +55 °C (+14 °F to +131 °F) (indoor) PIR Detector: -10 °C to +55 °C (+14 °F to +131 °F) (indoor)
Operating Humidity	All: 10%-90% (RH)

Product Dimensions	Hub: 163.0 mm × 163.0 mm × 32.0 mm (6.42" × 6.42" × 1.26") (L × W × H) Keyfob: 60.0 mm × 39.5 mm × 15.0 mm (2.36" × 1.56" × 0.59") (L × W × H) Door Detector: 100.2 mm × 20.8 mm × 20.3 mm (3.94" × 0.82" × 0.80") (L × W × H) PIR Detector: 104.0 mm × 60.0 mm × 50.0 mm (4.09" × 2.36" × 1.97") (L × W × H)
Packaging Dimensions	Hub: 219.0 mm × 187.0 mm × 91.0 mm (8.62" × 7.36" × 3.58") (L × W × H) Keyfob: 135.0 mm × 98.5 mm × 27.8 mm (5.31" × 3.88" × 1.09") (L × W × H) Door Detector: 135.0 mm × 98.5 mm × 27.8 mm (5.31" × 3.88" × 1.09") (L × W × H) PIR Detector: 135.0 mm × 98.5 mm × 56.8 mm (5.31" × 3.88" × 2.24") (L × W × H)
Installation	Hub: Wall mount; Desktop Door Detector: Bracket mount PIR Detector: Wall mount
Net Weight	Hub: 0.38 Kg (0.84 lb) Keyfob: 20 g (0.04 lb) Door Detector: 70 g (0.15 lb) PIR Detector: 100 g (0.22 lb)
Gross Weight	Hub: 0.8 Kg (1.76 lb) Keyfob: 65 g (0.14 lb) Door Detector: 115 g (0.25 lb) PIR Detector: 170 g (0.37 lb)
Casing	All: PC + ABS
Certifications	All: CE

Ordering Information

Type	Model	Description
Alarm KIT	DHI-ART-ARC3000H-03-GW2(868)	Alarm hub (2G;Europe power adapter by default; UK and USA power adapters are optional),wireless keyfob,wireless door detector,wireless PIR detector.

Application



DHI-ART-ARC3000H-03-GW2

Alarm KIT



System Overview

An all new industrial design and advanced technological system, makes the new generation of wireless alarm products easier to install, look better, communicate more reliably and perform more stably. From the comfort of the mobile apps DMSS (for end users) and COS Pro (for installers), receive notifications in real-time, control and manage your devices, perform remote operations, and more.

Scene

Mainly applied for villas, shops, apartments, etc.

Technical Specification

Input and Output

Wireless Protection Zone	Hub: 150-channel wireless peripherals (6 sirens, 64 wireless keyfobs)
--------------------------	---

Port

Buzzer	Hub: Built-in
Button	Hub: 1 × reset, 1 × power, 1 × AP Keyfob: 4 (Home, Away, Disarm, and SOS) Door Detector: 1 × power button PIR Detector: 1 × power button
Indicator Light	Hub: 1 for multiple statuses (alarm, arming, disarming, networking, and malfunction) Keyfob: 1 × two-color status indicator (green: normal, red: abnormal) Door Detector: 1 × green alarm indicator PIR Detector: 1 × green alarm indicator
Storage battery	Hub: Built-in lithium battery
Network Mode	Hub: Single SIM (GSM:900/1800MHz); dual SIM single standby
Network Port	Hub: 1 × RJ-45 10 M/100 M Ethernet port

Function

Network Protocol	Hub: TCP/IP, including PPTP, L2TP, DHCP, UPNP, and NTP
------------------	--

- Supports 150 wireless peripherals (6 sirens, 64 wireless keyfobs).
- Peripherals status display (signal strength, battery level, temperature, program version).
- Wired, Wi-Fi or GPRS network connection.
- Dual SIM and Single Standby, auto switching.
- Automatic network replenishment (ANR).
- Video linkage on App.
- SOS emergency alarm.
- Frequency hopping function and two-way communication technology ensure communication stability.
- Cloud update and automatic recovery from update failure.

Offline Cache	Hub: Max. 50 entries (ANR)
Power Failure Protection for Configured Parameters	Hub: Yes
Remote Update	All: Cloud update
Video Linkage	Hub: Yes
SMS	Hub: Yes (up to 5 phone numbers)
Phone Call	Hub: Yes (up to 5 phone numbers)
Low Battery Alarm	All: Yes
Tamper Alarm	Hub: Yes Door Detector: Yes PIR Detector: Yes
User Management	Hub: Share function for App users
Search	Hub: Searching push messages, device status, and program version. Detecting signal strength. Keyfob: Signal strength detection Door Detector: Signal strength detection PIR Detector: Signal strength detection
Arm and Disarm	Hub: App; keyfob; schedule

Wireless

Carrier Frequency	All: 433.1 MHz–434.6 MHz
Communication Distance	Hub: Up to 1,200 m (3,937.01 ft) in an open space Keyfob: Up to 500 m (1,640.42 ft) in an open space Door Detector: Up to 1,000 m (3,280.84 ft) in an open space PIR Detector: Up to 1,200 m (3,937.01 ft) in an open space
Communication Mechanism	All: Two-way
Encryption Mode	All: AES128
Frequency Hopping	All: Yes
Wi-Fi	Hub: 2.4G

Peripherals

External Zone	Door Detector: 1-channel dry contact input
---------------	--

Temperature

Measuring Range (Temperature)	Door Detector: -15 °C to +65 °C (+18.8 °F to +149 °F) (indoor) PIR Detector: -15 °C to +65 °C (+18.8 °F to +149 °F) (indoor)
Measuring Precision (Temperature)	Door Detector: ± 1 °C (± 33.8 °F) PIR Detector: ± 1 °C (± 33.8 °F)
Resolution (Temperature)	Door Detector: 1 °C (33.8 °F) PIR Detector: 1 °C (33.8 °F)

Specification

Sensor	Door Detector: Reed switch PIR Detector: Dual elements low-noise PIR sensor
Test Mode	Door Detector: Yes PIR Detector: Yes
Scenario	Door Detector: Non-metal doors
Movement Distance	Door Detector: < 40 mm (1.57")
Detection Mode	PIR Detector: PIR
Detection Range	PIR Detector: 12 m (39.37 ft) (90°) with installation height of 2.2 m (7.21 ft)
Detection Speed	PIR Detector: 0.3 m/s-3 m/s (0.98 ft/s-9.84 ft/s)
Pet Immunity Level	PIR Detector: ≤ 18 kg (39.68 lb)
White Light Resistance Level	PIR Detector: 6500 lx
Two-way Digital Temperature Compensation	PIR Detector: Yes, no attenuation of detection distance in high temperature
Sensitivity	PIR Detector: 3 levels adjustable

General

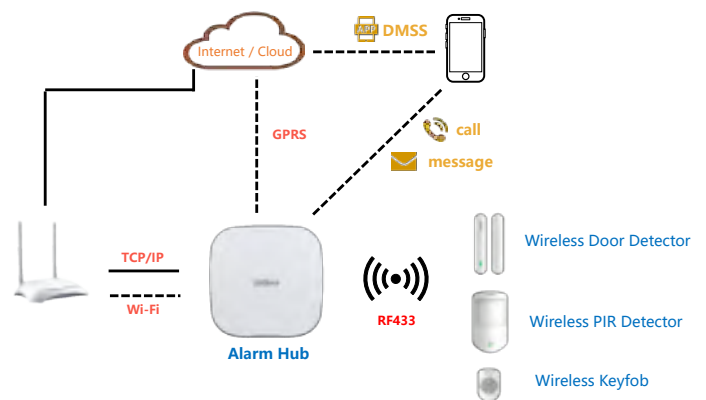
Power Supply	Hub: 12 V DC, 1.5 A (Europe, UK and USA power adapters are optional) Keyfob: CR2032 battery Door Detector: CR123A battery PIR Detector: CR123A battery
Battery Life	Hub: Storage battery standby for 12 Hours Keyfob: 5 years Door Detector: 5 years PIR Detector: 4 years
Power Consumption	Keyfob: Max. 85 mW Door Detector: Max. 70 mW PIR Detector: Max. 75 mW
Operating environment	Hub: -10 °C to +50 °C (+14 °F to +122 °F) (indoor) Keyfob: -10 °C to +55 °C (+14 °F to +131 °F) (indoor) Door Detector: -10 °C to +55 °C (+14 °F to +131 °F) (indoor) PIR Detector: -10 °C to +55 °C (+14 °F to +131 °F) (indoor)
Operating Humidity	All: 10%-90% (RH)

Product Dimensions	Hub: 163.0 mm × 163.0 mm × 32.0 mm (6.42" × 6.42" × 1.26") (L × W × H) Keyfob: 60.0 mm × 39.5 mm × 15.0 mm (2.36" × 1.56" × 0.59") (L × W × H) Door Detector: 100.2 mm × 20.8 mm × 20.3 mm (3.94" × 0.82" × 0.80") (L × W × H) PIR Detector: 104.0 mm × 60.0 mm × 50.0 mm (4.09" × 2.36" × 1.97") (L × W × H)
Packaging Dimensions	Hub: 219.0 mm × 187.0 mm × 91.0 mm (8.62" × 7.36" × 3.58") (L × W × H) Keyfob: 135.0 mm × 98.5 mm × 27.8 mm (5.31" × 3.88" × 1.09") (L × W × H) Door Detector: 135.0 mm × 98.5 mm × 27.8 mm (5.31" × 3.88" × 1.09") (L × W × H) PIR Detector: 135.0 mm × 98.5 mm × 56.8 mm (5.31" × 3.88" × 2.24") (L × W × H)
Installation	Hub: Wall mount; Desktop Door Detector: Bracket mount PIR Detector: Wall mount
Net Weight	Hub: 0.38 Kg (0.84 lb) Keyfob: 20 g (0.04 lb) Door Detector: 70 g (0.15 lb) PIR Detector: 100 g (0.22 lb)
Gross Weight	Hub: 0.8 Kg (1.76 lb) Keyfob: 65 g (0.14 lb) Door Detector: 115 g (0.25 lb) PIR Detector: 170 g (0.37 lb)
Casing	All: PC + ABS
Certifications	All: CE

Ordering Information

Type	Model	Description
Alarm KIT	DHI-ART-ARC3000H-03-GW2	Alarm hub (2G;Europe power adapter by default; UK and USA power adapters are optional),wireless keyfob,wireless door detector,wireless PIR detector.

Application



DHI-ART-ARC3000H-03-W2(868)

Alarm KIT



- Supports 150 wireless peripherals (6 sirens, 64 wireless keyfobs).
- Peripherals status display (signal strength, battery level, temperature, program version).
- Automatic network replenishment (ANR).
- Video linkage on App.
- SOS emergency call.
- Frequency hopping function and two-way communication technology ensure communication stability.
- Cloud update and automatic recovery from update failure.

System Overview

An all new industrial design and advanced technological system, makes the new generation of wireless alarm products easier to install, look better, communicate more reliably and perform more stably. From the comfort of the mobile apps DMSS (for end users) and COS Pro (for installers), receive notifications in real-time, control and manage your devices, perform remote operations, and more.

Scene

Mainly applied for villas, shops, apartments, etc.

Technical Specification

Input and Output

Wireless Protection Zone	Hub: 150-channel wireless peripherals (6 sirens, 64 wireless keyfobs)
--------------------------	---

Port

Buzzer	Hub: Built-in
Button	Hub: 1 × reset, 1 × power, 1 × AP Keyfob: 4 (Home, Away, Disarm, and SOS) Door Detector: 1 × power button PIR Detector: 1 × power button
Indicator Light	Hub: 1 for multiple statuses (alarm, arming, disarming, networking, and malfunction) Keyfob: 1 × two-color status indicator (green: normal, red: abnormal) Door Detector: 1 × green alarm indicator PIR Detector: 1 × green alarm indicator
Storage battery	Hub: Built-in lithium battery
Network Port	Hub: 1 × RJ-45 10 M/100 M Ethernet port

Function

Network Protocol	Hub: TCP/IP, including PPTP, L2TP, DHCP, UPNP, and NTP
Offline Cache	Hub: Max. 50 entries (ANR)

Power Failure Protection for Configured Parameters	Hub: Yes
Remote Update	All: Cloud update
Video Linkage	Hub: Yes
Low Battery Alarm	All: Yes
Tamper Alarm	Hub: Yes Door Detector: Yes PIR Detector: Yes
User Management	Hub: Share function for App users
Search	Hub: Searching push messages, device status, and program version. Detecting signal strength. Keyfob: Signal strength detection Door Detector: Signal strength detection PIR Detector: Signal strength detection
Arm and Disarm	Hub: App; keyfob; schedule

Wireless

Carrier Frequency	All: 868.0 MHz–868.6 MHz
Communication Distance	Hub: Up to 2,000 m (6,561.68 ft) in an open space Keyfob: Up to 900 m (2,952.76 ft) in an open space Door Detector: Up to 1,200 m (3,937.01 ft) in an open space PIR Detector: Up to 1,600 m (5,249.34 ft) in an open space
Communication Mechanism	All: Two-way
Encryption Mode	All: AES128
Frequency Hopping	All: Yes
Wi-Fi	Hub: 2.4G

Peripherals

External Zone	Door Detector: 1-channel dry contact input
---------------	--

Temperature

Measuring Range (Temperature)	"Door Detector: -15 °C to +65 °C (+18.8 °F to +149 °F) (indoor) PIR Detector: -15 °C to +65 °C (+18.8 °F to +149 °F) (indoor)"
Measuring Precision (Temperature)	Door Detector: ± 1 °C (± 33.8 °F) PIR Detector: ± 1 °C (± 33.8 °F)
Resolution (Temperature)	Door Detector: 1 °C (33.8 °F) PIR Detector: 1 °C (33.8 °F)

Specification

Sensor	Door Detector: Reed switch PIR Detector: Dual elements low-noise PIR sensor
Test Mode	Door Detector: Yes PIR Detector: Yes
Scenario	Door Detector: Non-metal doors
Movement Distance	Door Detector: < 40 mm (1.57")
Detection Mode	PIR Detector: PIR
Detection Range	PIR Detector: 12 m (39.37 ft) (90°) with installation height of 2.2 m (7.21 ft)
Detection Speed	PIR Detector: 0.3 m/s-3 m/s (0.98 ft/s-9.84 ft/s)
Pet Immunity Level	PIR Detector: ≤ 18 kg (39.68 lb)
White Light Resistance Level	PIR Detector: 6500 lx
Two-way Digital Temperature Compensation	PIR Detector: Yes, no attenuation of detection distance in high temperature
Sensitivity	PIR Detector: 3 levels adjustable

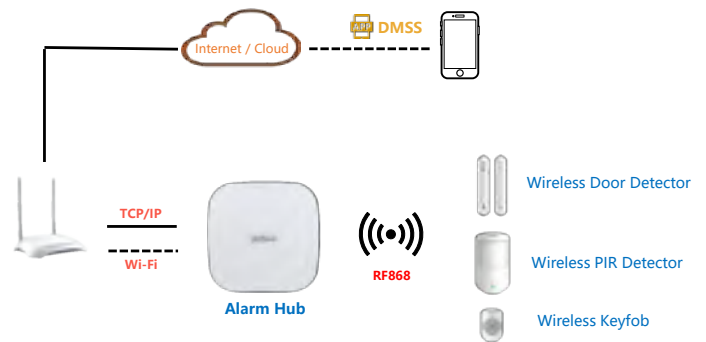
General

Power Supply	Hub: 12 V DC, 1.5 A (Europe, UK and USA power adapters are optional) Keyfob: CR2032 battery Door Detector: CR123A battery PIR Detector: CR123A battery
Battery Life	Hub: Storage battery standby for 12 Hours Keyfob: 5 years Door Detector: 5 years PIR Detector: 4 years
Power Consumption	Keyfob: Max. 100 mW Door Detector: Max. 125 mW PIR Detector: Max. 120 mW
Operating environment	Hub: -10 °C to +50 °C (+14 °F to +122 °F) (indoor) Keyfob: -10 °C to +55 °C (+14 °F to +131 °F) (indoor) Door Detector: -10 °C to +55 °C (+14 °F to +131 °F) (indoor) PIR Detector: -10 °C to +55 °C (+14 °F to +131 °F) (indoor)
Operating Humidity	All: 10%-90% (RH)
Product Dimensions	Hub: 163.0 mm × 163.0 mm × 32.0 mm (6.42" × 6.42" × 1.26") (L × W × H) Keyfob: 60.0 mm × 39.5 mm × 15.0 mm (2.36" × 1.56" × 0.59") (L × W × H) Door Detector: 100.2 mm × 20.8 mm × 20.3 mm (3.94" × 0.82" × 0.80") (L × W × H) PIR Detector: 104.0 mm × 60.0 mm × 50.0 mm (4.09" × 2.36" × 1.97") (L × W × H)

Packaging Dimensions	Hub: 219.0 mm × 187.0 mm × 91.0 mm (8.62" × 7.36" × 3.58") (L × W × H) Keyfob: 135.0 mm × 98.5 mm × 27.8 mm (5.31" × 3.88" × 1.09") (L × W × H) Door Detector: 135.0 mm × 98.5 mm × 27.8 mm (5.31" × 3.88" × 1.09") (L × W × H) PIR Detector: 135.0 mm × 98.5 mm × 56.8 mm (5.31" × 3.88" × 2.24") (L × W × H)
Installation	Hub: Wall mount; Desktop Door Detector: Bracket mount PIR Detector: Wall mount
Net Weight	Hub: 0.38 Kg (0.84 lb) Keyfob: 20 g (0.04 lb) Door Detector: 70 g (0.15 lb) PIR Detector: 100 g (0.22 lb)
Gross Weight	Hub: 0.8 Kg (1.76 lb) Keyfob: 65 g (0.14 lb) Door Detector: 115 g (0.25 lb) PIR Detector: 170 g (0.37 lb)
Casing	All: PC + ABS
Certifications	All: CE

Ordering Information		
Type	Model	Description
Alarm KIT	DHI-ART-ARC3000H-03-W2(868)	Alarm hub (Wi-Fi;Europe power adapter by default; UK and USA power adapters are optional),wireless keyfob,wireless door detector,wireless PIR detector.

Application



DHI-ART-ARC3000H-03-W2

Alarm KIT



System Overview

An all new industrial design and advanced technological system, makes the new generation of wireless alarm products easier to install, look better, communicate more reliably and perform more stably. From the comfort of the mobile apps DMSS (for end users) and COS Pro (for installers), receive notifications in real-time, control and manage your devices, perform remote operations, and more.

Scene

Mainly applied for villas, shops, apartments, etc.

Technical Specification

Input and Output

Wireless Protection Zone	Hub: 150-channel wireless peripherals (6 sirens, 64 wireless keyfobs)
--------------------------	---

Port

Buzzer	Hub: Built-in
Button	Hub: 1 × reset, 1 × power, 1 × AP Keyfob: 4 (Home, Away, Disarm, and SOS) Door Detector: 1 × power button PIR Detector: 1 × power button
Indicator Light	Hub: 1 for multiple statuses (alarm, arming, disarming, networking, and malfunction) Keyfob: 1 × two-color status indicator (green: normal, red: abnormal) Door Detector: 1 × green alarm indicator PIR Detector: 1 × green alarm indicator
Storage battery	Hub: Built-in lithium battery
Network Port	Hub: 1 × RJ-45 10 M/100 M Ethernet port

Function

Network Protocol	Hub: TCP/IP, including PPTP, L2TP, DHCP, UPNP, and NTP
Offline Cache	Hub: Max. 50 entries (ANR)

- Supports 150 wireless peripherals (6 sirens, 64 wireless keyfobs).
- Peripherals status display (signal strength, battery level, temperature, program version).
- Automatic network replenishment (ANR).
- Video linkage on App.
- SOS emergency alarm.
- Frequency hopping function and two-way communication technology ensure communication stability.
- Cloud update and automatic recovery from update failure.-

Power Failure Protection for Configured Parameters	Hub: Yes
Remote Update	All: Cloud update
Video Linkage	Hub: Yes
Low Battery Alarm	All: Yes
Tamper Alarm	Hub: Yes Door Detector: Yes PIR Detector: Yes
User Management	Hub: Share function for App users
Search	Hub: Searching push messages, device status, and program version. Detecting signal strength. Keyfob: Signal strength detection Door Detector: Signal strength detection PIR Detector: Signal strength detection
Arm and Disarm	Hub: App; keyfob; schedule

Wireless

Carrier Frequency	All: 433.1 MHz–434.6 MHz
Communication Distance	Hub: Up to 1,200 m (3,937.01 ft) in an open space Keyfob: Up to 500 m (1,640.42 ft) in an open space Door Detector: Up to 1,000 m (3,280.84 ft) in an open space PIR Detector: Up to 1,200 m (3,937.01 ft) in an open space
Communication Mechanism	All: Two-way
Encryption Mode	All: AES128
Frequency Hopping	All: Yes
Wi-Fi	Hub: 2.4G

Peripherals

External Zone	Door Detector: 1-channel dry contact input
---------------	--

Temperature

Measuring Range (Temperature)	Door Detector: -15 °C to +65 °C (+18.8 °F to +149 °F) (indoor) PIR Detector: -15 °C to +65 °C (+18.8 °F to +149 °F) (indoor)
Measuring Precision (Temperature)	Door Detector: ± 1 °C (± 33.8 °F) PIR Detector: ± 1 °C (± 33.8 °F)
Resolution (Temperature)	Door Detector: 1 °C (33.8 °F) PIR Detector: 1 °C (33.8 °F)

Specification

Sensor	Door Detector: Reed switch PIR Detector: Dual elements low-noise PIR sensor
Test Mode	Door Detector: Yes PIR Detector: Yes
Scenario	Door Detector: Non-metal doors
Movement Distance	Door Detector: < 40 mm (1.57")
Detection Mode	PIR Detector: PIR
Detection Range	PIR Detector: 12 m (39.37 ft) (90°) with installation height of 2.2 m (7.21 ft)
Detection Speed	PIR Detector: 0.3 m/s-3 m/s (0.98 ft/s-9.84 ft/s)
Pet Immunity Level	PIR Detector: ≤ 18 kg (39.68 lb)
White Light Resistance Level	PIR Detector: 6500 lx
Two-way Digital Temperature Compensation	PIR Detector: Yes, no attenuation of detection distance in high temperature
Sensitivity	PIR Detector: 3 levels adjustable

General

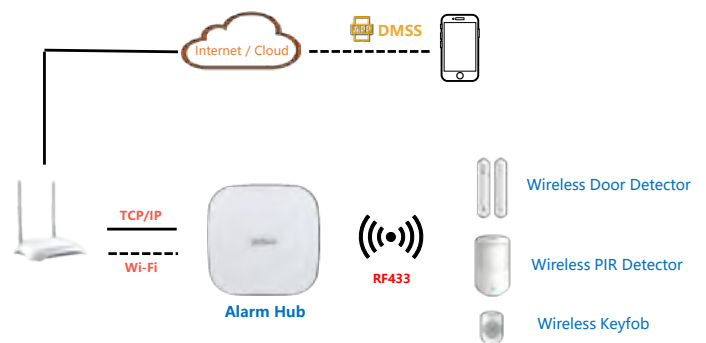
Power Supply	Hub: 12 V DC, 1.5 A (Europe, UK and USA power adapters are optional) Keyfob: CR2032 battery Door Detector: CR123A battery PIR Detector: CR123A battery
Battery Life	Hub: Storage battery standby for 12 Hours Keyfob: 5 years Door Detector: 5 years PIR Detector: 4 years
Power Consumption	Keyfob: Max. 85 mW Door Detector: Max. 70 mW PIR Detector: Max. 75 mW
Operating environment	Hub: -10 °C to +50 °C (+14 °F to +122 °F) (indoor) Keyfob: -10 °C to +55 °C (+14 °F to +131 °F) (indoor) Door Detector: -10 °C to +55 °C (+14 °F to +131 °F) (indoor) PIR Detector: -10 °C to +55 °C (+14 °F to +131 °F) (indoor)
Operating Humidity	All: 10%-90% (RH)

Product Dimensions	Hub: 163.0 mm × 163.0 mm × 32.0 mm (6.42" × 6.42" × 1.26") (L × W × H) Keyfob: 60.0 mm × 39.5 mm × 15.0 mm (2.36" × 1.56" × 0.59") (L × W × H) Door Detector: 100.2 mm × 20.8 mm × 20.3 mm (3.94" × 0.82" × 0.80") (L × W × H) PIR Detector: 104.0 mm × 60.0 mm × 50.0 mm (4.09" × 2.36" × 1.97") (L × W × H)
Packaging Dimensions	Hub: 219.0 mm × 187.0 mm × 91.0 mm (8.62" × 7.36" × 3.58") (L × W × H) Keyfob: 135.0 mm × 98.5 mm × 27.8 mm (5.31" × 3.88" × 1.09") (L × W × H) Door Detector: 135.0 mm × 98.5 mm × 27.8 mm (5.31" × 3.88" × 1.09") (L × W × H) PIR Detector: 135.0 mm × 98.5 mm × 56.8 mm (5.31" × 3.88" × 2.24") (L × W × H)
Installation	Hub: Wall mount; Desktop Door Detector: Bracket mount PIR Detector: Wall mount
Net Weight	Hub: 0.38 Kg (0.84 lb) Keyfob: 20 g (0.04 lb) Door Detector: 70 g (0.15 lb) PIR Detector: 100 g (0.22 lb)
Gross Weight	Hub: 0.8 Kg (1.76 lb) Keyfob: 65 g (0.14 lb) Door Detector: 115 g (0.25 lb) PIR Detector: 170 g (0.37 lb)
Casing	All: PC + ABS
Certifications	All: CE

Ordering Information

Type	Model	Description
Alarm KIT	DHI-ART-ARC3000H-03-W2	Alarm hub (Wi-Fi;Europe power adapter by default; UK and USA power adapters are optional),wireless keyfob,wireless door detector,wireless PIR detector.

Application





PRODUITS FILAIRES





CONTROLEURS FILAIRES



DHI-ARC2008C-V3

Alarm Controller



- 8-channel local alarm input (expandable to 72 channels); supports NO/NC detector, detector tamper, short circuit and mask alarm.
- 4 channel alarm outputs (expandable to 84 channels), along with forced start/shutdown, auto control, and alarm linkage.
- Multiple zone types, such as instant zone, delayed zone, and 24-hour silent zone.
- Alarm input/output port circuit protection.
- Supports fault alarms, including controller tamper alarm, keypad tamper alarm, power failure alarm, battery failure alarm, battery undervoltage alarm, PSTN offline alarm, network disconnection alarm, IP conflict alarm, and MAC conflict alarm.
- 2-channel RS-485 ports; up to 32-channel keypads; printer connection.
- Emergency alarms, such as fire, medical and duress alarm.
- CID (Contact ID Protocol); reuses landline telephone port (personal call requires customized PSTN hardware module).
- Configuration method includes keypad and web; quick configuration guide; remote configuration and search.
- Up to 8 subsystems; single zone and subsystem arming/disarming; arming/disarming with keypad, keyfob, IC card and other methods.
- Supports 3 alarm receiving center at the same time, supports 3 different alarm reporting strategies.
- High-volume log search function.
- Remote update.
- Multiple device recovery methods.
- Two Ethernet ports and two wired alarm centers.

System Overview

Driven by its advanced control technology and powerful data transmission capabilities, this series of alarm controller ensures the reliable, stable running of the entire system. This high security series supports being used locally, without networking, and being networked to form a powerful security monitoring system. When used along with professional alarm platform software, it fully displays its powerful networking and remote monitoring capabilities.

Scene

It is suitable for security use in scenes, such as schools, shops, factories, financial fields, legal fields and smart communities.

Technical Specification

Input/Output

Alarm Input	8 x channel local inputs (expandable to 72 channels)
-------------	--

Alarm Output	4 x channel local outputs (expandable to 84 channels)
--------------	---

Interface

Network Port	2 x RJ-45 10/100 self-adaptive Ethernet ports
--------------	---

Telephone Line	1-ch PSTN
----------------	-----------

Keyboard	32 x LCD keypads
----------	------------------

Remote Control	32 x ARA24-W2
----------------	---------------

Storage Battery	1 x port (battery: 12 VDC/7 Ah)
-----------------	---------------------------------

RS-232	1
--------	---

Indicator Light	3 x function indicators
-----------------	-------------------------

Button	1 x forced start button; 1 x default jumper; 1 x factory default jumper
--------	---

RS-485	2 (keypad, expansion module, and printer)
--------	---

Buzzer	1
--------	---

Function

Tamper Alarm	Controller tamper; housing tamper
--------------	-----------------------------------

Auxiliary Power Output	1 x 12 VDC, 1 A
------------------------	-----------------

Network Protocol	TCP/IP, DHCP, static IP
------------------	-------------------------

Remote Update	Yes
---------------	-----

Arm and Disarm	Keypad; keyfob; IC card; web; platform
----------------	--

Log	20,000
-----	--------

Power Failure Protection for Configure Parameters	Yes
---	-----

Search Remote Alarm Event	Yes
---------------------------	-----

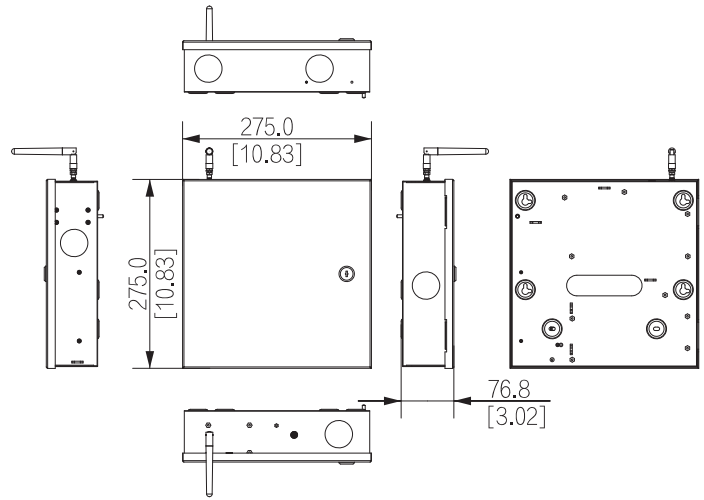
User Management	64 network users and 200 keypad users
-----------------	---------------------------------------

Access Configuration	Keypad; web
----------------------	-------------

ARC2 Series | DHI-ARC2008C-V3

Search	Configurations; system logs; zone faults; system faults; program versions
Language	English, Russian, Latin American Spanish, and Arabic
General	
Power Supply	100–240 VAC, 50/60 Hz
Power Consumption	Idling: 5 W Full load: 60 W
Operating Environment	–10 °C to +55 °C (+14 °F to +131 °F) 10%–90% (RH)
Product Dimensions	275 mm × 74.8 mm × 275 mm (10.83" × 2.94" × 10.83") (L × W × H)
Packaging Dimensions	375 mm × 155 mm × 312 mm (14.76" × 6.10" × 12.28") (L × W × H)
Installation	Wall mount
Net Weight	2.1 kg (4.63 lb)
Gross Weight	2.5 kg (5.51 lb)
Certifications	FCC; CE

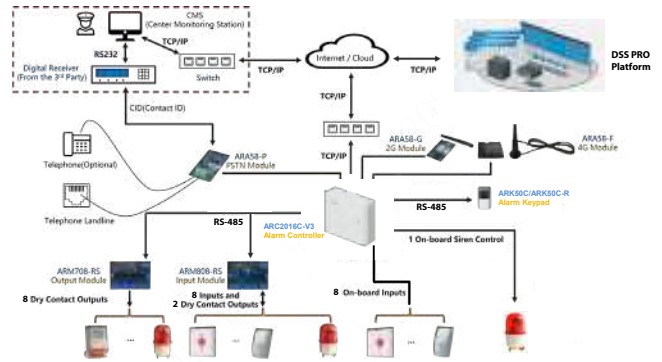
Dimensions (mm [inch])



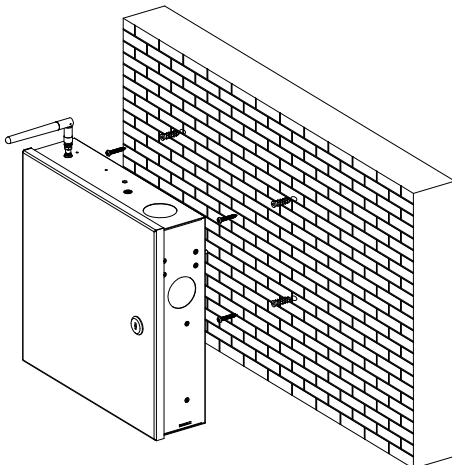
Ordering Information

Type	Model	Description
Alarm controller	DHI-ARC2008C-V3	Alarm controller
	DHI-ARK50C-R	Alarm keypad (supports card)
Accessories (Optional)	DHI-ARK50C	Alarm keypad
	ARM708-RS	Output module
	ARM808-RS	Input module
	ARA58-P	PSTN module
	ARA58-G-EN	2G module
	ARA58-F-EN	4G module

Application



Installation



DHI-ARC2016C-V3

Alarm Controller



System Overview

Driven by its advanced control technology and powerful data transmission capabilities, this series of alarm controller ensures the reliable, stable running of the entire system. This high security series supports being used locally, without networking, and being networked to form a powerful security monitoring system. When used along with professional alarm platform software, it fully displays its powerful networking and remote monitoring capabilities.

Scene

It is suitable for security use in scenes, such as schools, shops, factories, financial fields, legal fields and smart communities.

Technical Specification

Input/Output

Alarm Input	16 x channel local inputs (expandable to 80 channels)
-------------	---

Alarm Output	4 x channel local outputs (expandable to 84 channels)
--------------	---

Interface

Network Port	2 x RJ-45 10/100 self-adaptive Ethernet ports
--------------	---

Telephone Line	1-ch PSTN
----------------	-----------

Keyboard	32 x LCD keypads
----------	------------------

Remote Control	32 x ARA24-W2
----------------	---------------

Storage Battery	1 x port (battery: 12 VDC/7 Ah)
-----------------	---------------------------------

RS-232	1
--------	---

Indicator Light	3 x function indicators
-----------------	-------------------------

Button	1 x forced start button; 1 x default jumper; 1 x factory default jumper
--------	---

- 16-channel local alarm input (expandable to 80 channels); supports NO/NC detector, detector tamper, short circuit and mask alarm.
- 4 channel alarm outputs (expandable to 84 channels), along with forced start/shutdown, auto control, and alarm linkage.
- Multiple zone types, such as instant zone, delayed zone, and 24-hour silent zone.
- Alarm input/output port circuit protection.
- Supports fault alarms, including controller tamper alarm, keypad tamper alarm, power failure alarm, battery failure alarm, battery undervoltage alarm, PSTN offline alarm, network disconnection alarm, IP conflict alarm, and MAC conflict alarm.
- 2-channel RS-485 ports; up to 32-channel keypads; printer connection.
- Emergency alarms, such as fire, medical and duress alarm.
- CID (Contact ID Protocol); reuses landline telephone port (personal call requires customized PSTN hardware module).
- Configuration method includes keypad and web; quick configuration guide; remote configuration and search.
- Up to 8 subsystems; single zone and subsystem arming/disarming; arming/disarming with keypad, keyfob, IC card and other methods.
- Supports 3 alarm receiving center at the same time, supports 3 different alarm reporting strategies.
- High-volume log search function.
- Remote update.
- Multiple device recovery methods.
- Two Ethernet ports and two wired alarm centers.

RS-485	2 (keypad, expansion module, and printer)
--------	---

Buzzer	1
--------	---

Function

Tamper Alarm	Controller tamper; housing tamper
--------------	-----------------------------------

Auxiliary Power Output	1 x 12 VDC, 1 A
------------------------	-----------------

Network Protocol	TCP/IP, DHCP, static IP
------------------	-------------------------

Remote Update	Yes
---------------	-----

Arm and Disarm	Keypad; keyfob; IC card; web; platform
----------------	--

Log	20,000
-----	--------

Power Failure Protection for Configured Parameters	Yes
--	-----

Search Remote Alarm Event	Yes
---------------------------	-----

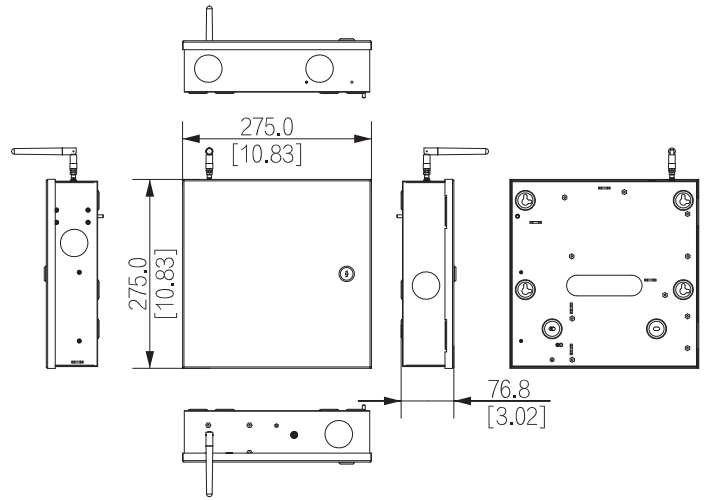
User Management	64 network users and 200 keypad users
-----------------	---------------------------------------

Access Configuration	Keypad; web
----------------------	-------------

ARC2 Series | DHI-ARC2016C-V3

Search	Configurations; system logs; zone faults; system faults; program versions
Language	English, Russian, Latin American Spanish, and Arabic
General	
Power Supply	100–240 VAC, 50/60 Hz
Power Consumption	Idling: 5 W Full load: 60 W
Operating Environment	–10 °C to +55 °C (+14 °F to +131 °F) 10%–90% (RH)
Product Dimensions	275 mm × 74.8 mm × 275 mm (10.83" × 2.94" × 10.83") (L × W × H)
Packaging Dimensions	375 mm × 155 mm × 312 mm (14.76" × 6.10" × 12.28") (L × W × H)
Installation	Wall mount
Net Weight	2.1 kg (4.63 lb)
Gross Weight	2.5 kg (5.51 lb)
Certifications	FCC; CE

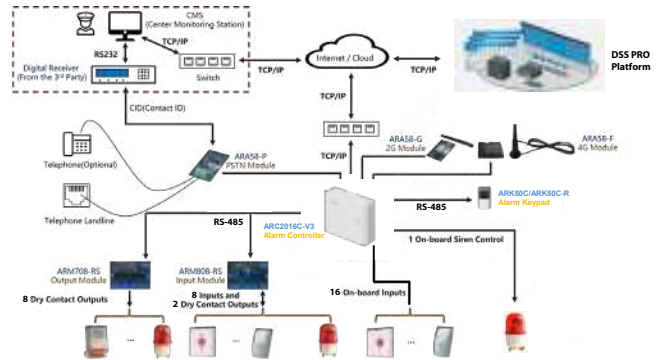
Dimensions (mm [inch])



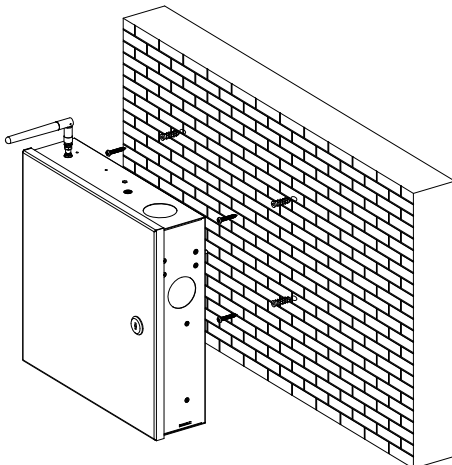
Ordering Information

Type	Model	Description
Alarm controller	DHI-ARC2016C-V3	Alarm controller
	DHI-ARK50C-R	Alarm keypad (supports card)
Accessories (Optional)	DHI-ARK50C	Alarm keypad
	ARM708-RS	Output module
	ARM808-RS	Input module
	ARA58-P	PSTN module
	ARA58-G-EN	2G module
	ARA58-F-EN	4G module

Application



Installation



DHI-ARC3008C

Security Control Panel



- Supports more than 11 zone types.
- 7 sorts of zone terminations, including closed-circuit (NC), open-circuit (NO), end-of-line (EOL) resistors, double end-of-line (DEOL) resistors, triple end-of-line (3DEOL) resistors, inertial type for vibration detector and pulse type for roller shutter.
- Configurable zone resistance (2K7, 4K7, and 6K8).
- GSM/GPRS/LTE network ports for events SMS reporting and remote control, events vocal message reporting by dialing and remote control, and mobile phone app connection ability when Ethernet connection failed.
- Supports abnormality alarm, including network disconnection alarm, PSTN fault alarm, tampering alarm, low battery alarm, battery loss alarm, power loss alarm, and keyboard fault alarm.
- In-field firmware upgradable.
- 3 telephone numbers for monitor station (PSTN).

System Overview

This security control panel is a high performance anti-theft controller designed for the middle and small alarm solutions. It features high security and excellent stability with embedded Linux operating system and platform, so the system can run steadily with advanced controlling technology and strong data transmission ability. This product can work both independently and with professional app on mobile phone, which is convenient for remote viewing and alarm status controlling. An all-round security surveillance network is formed when the product works with professional alarm platforms, which can be widely applied for financial service centers, shops, villas, apartments, museums, libraries, office buildings and other security protection scenarios.

Technical Specification

Port

Alarm Input	8 on-board zones, can be expanded to 72 for zone alarm input
Alarm Output	2 on-board PGMs, can be expanded to 82 (channel 1-2: MOS outputs, channel 3-82: Relay outputs)
Network	1 RJ-45 10M/100M self-adaptive Ethernet port
PSTN	One group of PSTN RJ-11 ports for connecting to PSTN module
RS-485	2-channel RS-485 ports, support keyboard (A1B1) and expansion module (A2B2)
2G	UART port for connecting to 2G module
4G	USB port for connecting to 4G module

Siren	1 12V/1A siren output port
Battery	1 12V/7Ah battery port
Auxiliary Power Output	2 12V/1A AUX power output ports
Tamper	1 cover removal tamper switch 1 siren tamper input

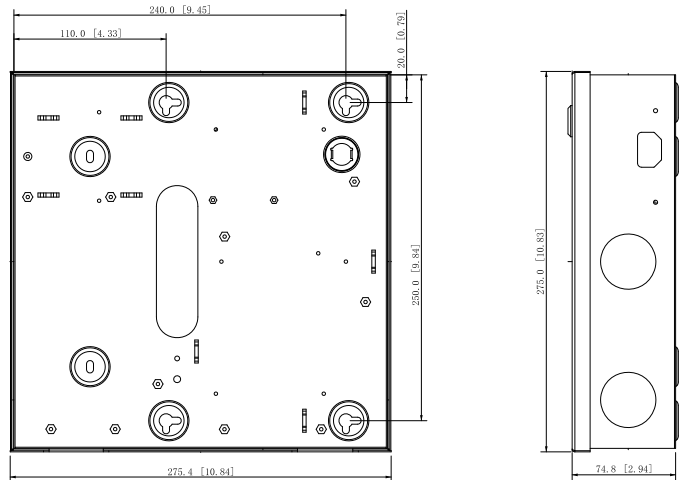
Function

SMS Notification	Supports up to 8 telephone numbers for SMS and remote control (with 2G or 4G module)
Phone Call Notification	Supports up to 8 telephone numbers for vocal message (with 2G or 4G module)
Network Protocol	TCP/IP, DHCP, static IP, P2P
Configuration Method	Keypad, client software
Arm/Disarm Method	Keyboard, swipe card, DMSS App, SMS, Schedule
External Agreement	Supports customized access to the third parties by SIA
Number of Keyboards	Max. 8 keypads
Area	8 areas
Partition	Each area includes 2 partitions
Timers	8 timers, can be used for user authorization restrictions, output linkage control, automatic arming and disarming control, and more
Power Management	Automatic switching between main power supply and backup power supply Alarm for main power loss Alarm for battery loss and battery voltage fault
Event Logs	Max. 1000

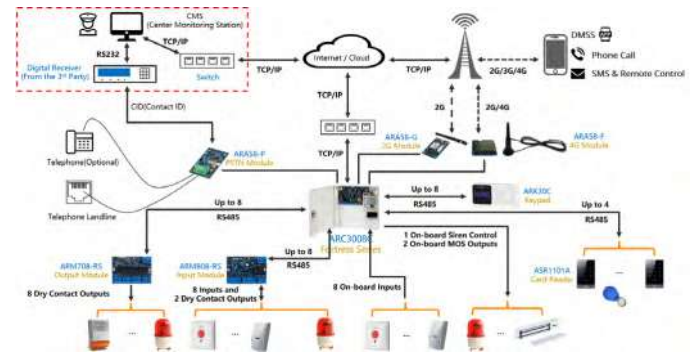
User Management	Max. 100 users 7 permission levels: Supervisor, Manager, Master, User, Temporary, Duress, and Patrol 1 TECHNICIAN
Query	Query for zone fault, system fault, program version, and signal strength
Language	English, Italian
App	DMSS App
RFID Card	Arm and disarm by swiping card (With ASR1101A/ASR1101A-D)
General	
Main Power	Input: 110-220V AC, 50/60Hz Output: 14.5V DC 2.7A
Standby Power	12V DC/7Ah lead-acid battery
Power Consumption	Max. 35W
Operating Temperature	-10°C to +50°C (14°F to 122 °F)
Operating Humidity	10%–90% (RH)
Product Dimensions	275.0 mm × 275.0 mm × 77.0 mm (10.83" × 10.83" × 3.03") (L × W × H)
Installation	Wall mount
Net Weight	≤3 kg (6.61 lb)
Certification	CE: 4789104635 EN 50131-3; Security Grade 2; Environment Class II

Ordering Information		
Type	Model	Description
Alarm Controller	DHI-ARC3008C	Security Control Panel
Accessories (Optional)	DHI-ARK30C	Keypad
	ARA58-P	PSTN Module
	ARA58-G-IT	2G module (embedded Italian voice)
	ARA58-G-EN	2G module (embedded English voice)
	ARA58-F-EN	4G module (embedded English voice)
	DHI-ARM808-RS	Zone expansion module (with 1 NO/NC optional relay output)
	DHI-ARM708-RS	Relay expansion module

Dimensions (mm/inch)



Application



DHI-ARC9016C-V3

Alarm Controller



System Overview

Driven by its advanced control technology and powerful data transmission capabilities, this series of alarm controller ensures the reliable, stable running of the entire system. This high security series supports being used locally, without networking, and being networked to form a powerful security monitoring system. When used along with professional alarm platform software, it fully displays its powerful networking and remote monitoring capabilities.

Scene

It is suitable for security use in scenes, such as schools, shops, factories, financial fields, legal fields and smart communities.

Technical Specification

Input/Output

Alarm Input 16 x channel local inputs (expandable to 256 channels)

Alarm Output 4 x channel local outputs (expandable to 256 channels)

Interface

Network Port 2 x RJ-45 10/100 self-adaptive Ethernet ports

Telephone Line 1-ch PSTN

Keyboard 32 x LCD keypads

Remote Control 32 x ARA24-W2

Storage Battery 1 x port (battery: 12 VDC/7 Ah)

RS-232 1

Indicator Light 3 x function indicators

Button 1 x forced start button; 1 x default jumper; 1 x factory default jumper

- 16-channel local alarm input (expandable to 256 channels); supports NO/NC detector, detector tamper, short circuit and mask alarm.
- 4 channel alarm outputs (expandable to 256 channels), along with forced start/shutdown, auto control, and alarm linkage.
- Multiple zone types, such as instant zone, delayed zone, and 24-hour silent zone.
- Alarm input/output port circuit protection.
- Supports fault alarms, including controller tamper alarm, keypad tamper alarm, power failure alarm, battery failure alarm, battery undervoltage alarm, PSTN offline alarm, network disconnection alarm, IP conflict alarm, and MAC conflict alarm.
- 2-channel RS-485 ports; up to 32-channel keypads; printer connection.
- Emergency alarms, such as fire, medical and duress alarm.
- CID (Contact ID Protocol); reuses landline telephone port (personal call requires customized PSTN hardware module).
- Configuration method includes keypad and web; quick configuration guide; remote configuration and search.
- Up to 8 subsystems; single zone and subsystem arming/disarming; arming/disarming with keypad, keyfob, IC card and other methods.
- Supports 3 alarm receiving center at the same time, supports 3 different alarm reporting strategies.
- High-volume log search function.
- Remote update.
- Multiple device recovery methods.
- Two Ethernet ports and two wired alarm centers.

RS-485	2 (keypad, expansion module, and printer)
M-BUS	2-ch M-Bus expansion (communication distance of up to 2.4 km for each channel)
Buzzer	1

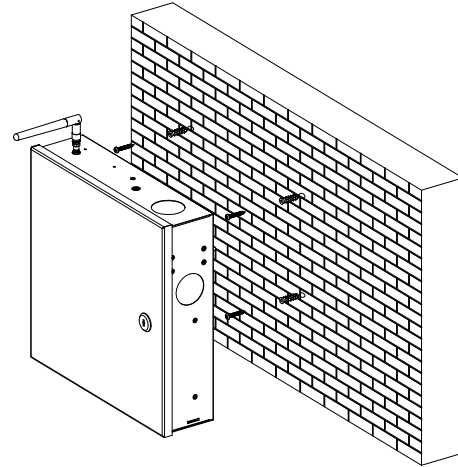
Function

Tamper Alarm	Controller tamper; housing tamper
Auxiliary Power Output	1 x 12 VDC, 1 A
Network Protocol	TCP/IP, DHCP, static IP
Remote Update	Yes
Arm and Disarm	Keypad; keyfob; IC card; web; platform
Log	20,000
Power Failure Protection for Configured Parameters	Yes
Search Remote Alarm Event	Yes
User Management	64 network users and 200 keypad users

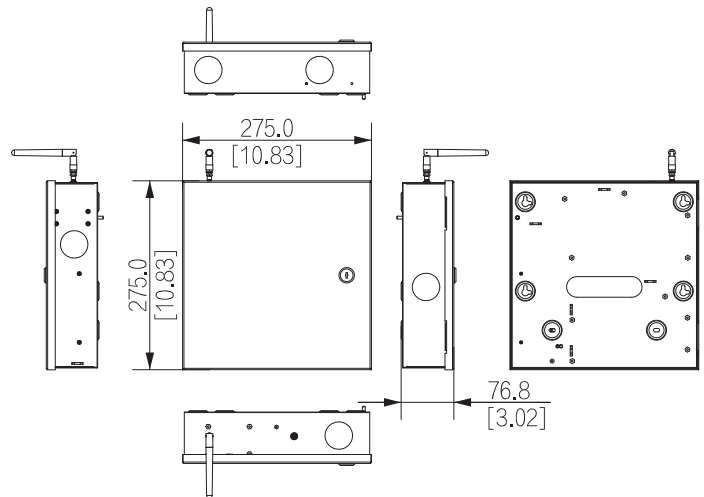
ARC2 Series | DHI-ARC9016C-V3

Access Configuration	Keypad; web
Search	Configurations; system logs; zone faults; system faults; program versions
Language	English, Russian, Latin American Spanish, and Arabic
General	
Power Supply	100–240 VAC, 50/60 Hz
Power Consumption	Idling: 5 W Full load: 60 W
Operating Environment	–10 °C to +55 °C (+14 °F to +131 °F) 10%–90% (RH)
Product Dimensions	275 mm × 74.8 mm × 275 mm (10.83" × 2.94" × 10.83") (L × W × H)
Packaging Dimensions	375 mm × 155 mm × 312 mm (14.76" × 6.10" × 12.28") (L × W × H)
Installation	Wall mount
Net Weight	2.1 kg (4.63 lb)
Gross Weight	2.5 kg (5.51 lb)
Certifications	FCC; CE

Installation

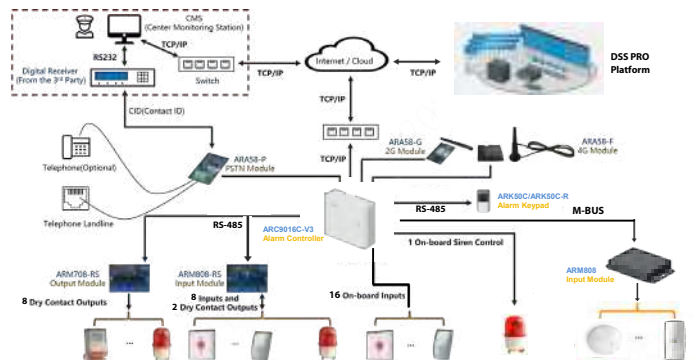


Dimensions (mm [inch])



Ordering Information		
Type	Model	Description
Alarm controller	DHI-ARC9016C-V3	Alarm controller
	DHI-ARK50C-R	Alarm keypad (supports card)
Accessories (Optional)	DHI-ARK50C	Alarm keypad
	ARM708-RS	Output module
	ARM808-RS	Input module
	ARM801	Expansion module for a single zone
	ARM802	Expansion module for two zones
	DHI-ARM808	8-Zone expansion module (M-Bus)
	DHI-ARM911	Output expansion module for a single zone
	ARA58-P	PSTN module
	ARA58-G-EN	2G module
	ARA58-F-EN	4G module

Application



DHI-ARC2016U-G

General Alarm Controller



Features

- 16 on-board zones
- 14 alarm out
- 8 alarm keypad (ARK10C)
- Two independent access control
- One group audio talk, audio announcement
- TCP/IP, 2G(-G only), PSTN



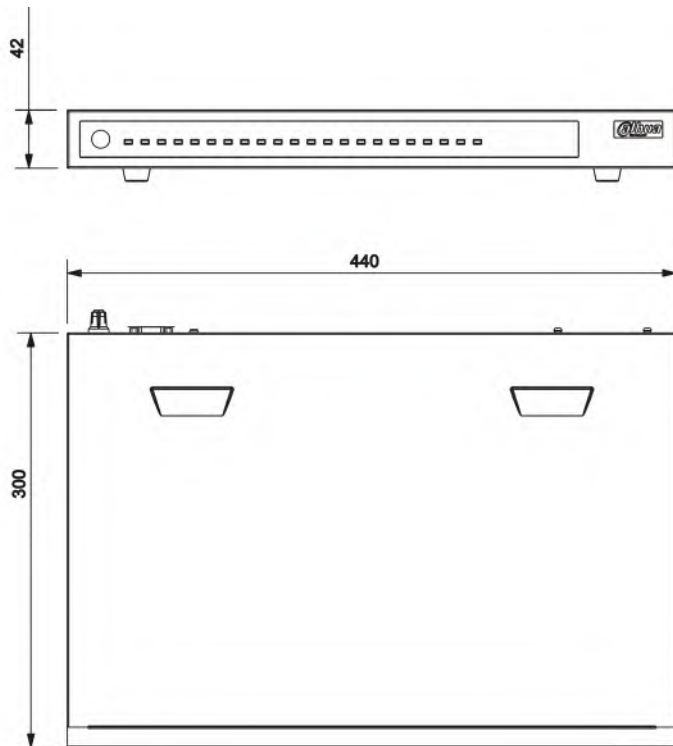
Technical Specification	
Wired Zones	16 on-board zones
Alarm Output	12 relay output (30VDC 1A), 2 strong relay output (220VAC 10A)
Network	1-ch 10M/100M Ethernet port, RJ45 port -G (GPRS 2G network)
Protocol	TCP/IP
Log	5000
Independent Security service center	2 groups phone call security center
Siren	Support
PSTN Detect	Support
Anti-cut, Anti-circuit	Support
SMS	-G Support
Remote Upgrade	Support
Audio In	1-ch 3.5mm JACK port in
Audio Out	1-ch 3.5mm JACK port out
Alternate Power	External: +12V 7AH Lead-acid battery
Power	AC 100-240V, 50/60Hz, Max 35W
Working Environment	-10°C~+55°C

Overall dimensions\weight	220L*440W*44.5H mm/<3.5kg
Installation	Rack-mounted

Ordering Information

Type	Part Number	Description
Controller	DHI-ARC2016U	General Alarm Controller
Controller	DHI-ARC2016U-G	General Alarm Controller with 2G sim card slot
Keypad	DHI-ARK10C	Alarm keypad, Max. 8pcs

Dimensions





DETECTEURS FILAIRES



DHI-ARD312

Iron Door Contact



- Works without a power supply.
- Highly durable and stable, its metal-plated surface allows it to be installed on metal materials.
- Controls the circuit of devices that require a voltage of no more than 100 VDC and a current of no more than 500 mA.

System Overview

The device uses the magnetic component of the Reed switch to detect and trigger alarms when the door or window is opened.

Scene

Used in scenarios where doors and windows must be kept closed.

Technical Specification

Port

Alarm Output	1, NC, 100 VDC, Max. 500 mA
--------------	-----------------------------

Technical

Movement Distance	≥35 mm (1.38")
-------------------	----------------

General

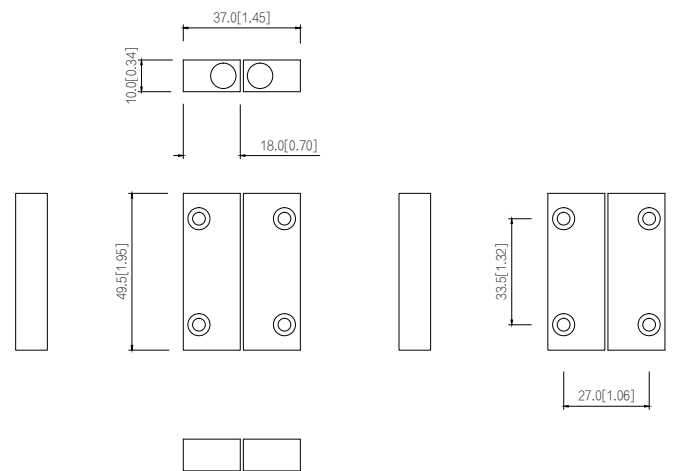
Operating Temperature	-10 °C to +55 °C (+14 °F to +131 °F)
Operating Humidity	10%–90% (RH)
Product Dimensions	18.0 mm × 10.0 mm × 50.0 mm (0.71" × 0.39" × 1.97") (L × W × H)
Net Weight	54 g (0.12 lb)
Gross Weight	56.7 g (0.13 lb)
Installation	Surface mount
Casing Material	Metal plating
Appearance Color	Silver grey
Certifications	CE
Anti-corrosion Level	Basic Protection
Storage Temperature	-10 °C to +55 °C (+14 °F to +131 °F)

Storage Humidity	10%–90% (RH)
Packaging Dimensions	55.0 mm × 25.0 mm × 70.0 mm (2.17" × 0.98" × 2.76") (L × W × H)

Ordering Information

Type	Model	Description
Door Contact	DHI-ARD312	Iron Door Contact

Dimensions (mm[inch])



DHI-ARD416

Shock Detector



- Adjustable sensitivity.
- Supports explosion vibration alarm and slight vibration alarm, and triggers alarms when people pound on the material too many times.

System Overview

The device uses the piezoelectric sensor to detect vibration signals.

Scene

Used in locations that require high security such as ATM booths, vaults and museums.

Technical Specification

Port

Alarm Output	1 × alarm output, NC, 24 VDC, Max. 100 mA 1 × case/wall tamper output, NC, 12 VDC, Max. 100 mA
--------------	---

Function

Indicator Light	Red-and-green indicator
-----------------	-------------------------

Technical

Sensor	Piezoelectric ceramics
Detection Mode	Piezoelectric sensor
Sensitivity	Adjustable sensitivity (moderate sensitivity by default)
Detection Range	Metal: 2 m–7 m (6.56 ft–22.97 ft) Reinforced concrete: 0.5 m–3 m (1.64 ft–9.84 ft)
Operating Current	≤12 mA (12 VDC)
Alarm Current	≤8 mA

General

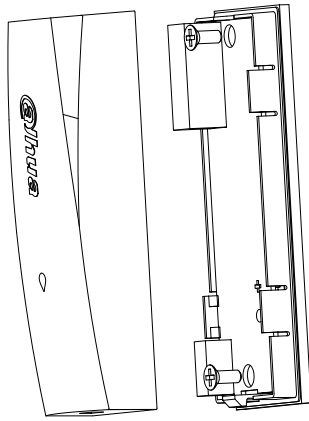
Power Supply	9-15 VDC
Power Consumption	0.18 W (Max.)

Operating Temperature	–25 °C to +50 °C (–13 °F to +122 °F)
Operating Humidity	10%–95% (RH)
Product Dimensions	32.0 mm × 25.0 mm × 95.0 mm (1.26" × 0.98" × 3.74") (L × W × H)
Net Weight	41 g (0.09 lb)
Gross Weight	51 g (0.11 lb)
Installation	Surface mount
Casing Material	PC and ABS
Certifications	CE
Anti-corrosion Level	Basic Protection
Storage Temperature	–25 °C to +50 °C (–13 °F to +122 °F)
Storage Humidity	10%–95% (RH)
Packaging Dimensions	35.0 mm × 31.0 mm × 100.0 mm (1.38" × 1.22" × 3.94") (L × W × H)

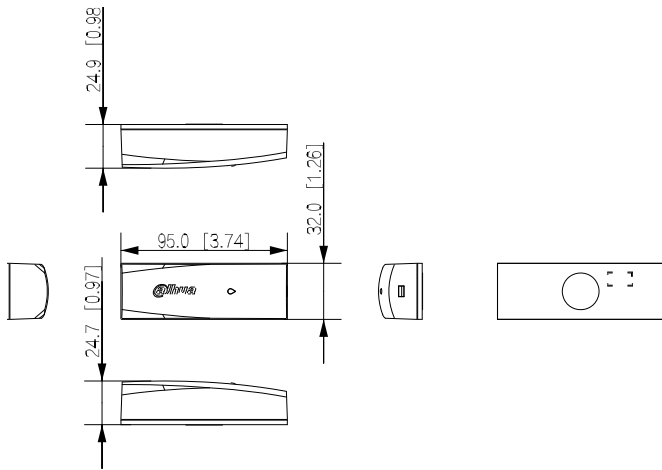
Ordering Information

Type	Model	Description
Shock Detector	DHI-ARD416	Shock Detector

Installation



Dimensions (mm[inch])



DHI-ARD511

Glass Break Detector



- Uses a micro sensor that analyzes sound to reduce the occurrence of false alarms.
- Up to 9 m detection range and adjustable sensitivity.
- Supports locking alarms and testing the on-site environment. You can switch between the modes through the jumper cap.
- Strong resistance to electromagnetic and frequency interference.

System Overview

The device detects when glass is breaking based on the sound signals that occur at certain ranges.

Scene

Ideal for protecting glass windows and doors from being violently broken.

Technical Specification

Port

Alarm Output	1 × alarm output, NC, 28 VDC, Max. 80 mA 1 × case/wall tamper output, NC, 28 VDC, Max. 100 mA
--------------	--

Function

Indicator Light	Red and green indicator
-----------------	-------------------------

Technical

Detection Mode	Piezoelectric sensor
Sensitivity	Adjustable sensitivity
Detection Range	Up to 9 m (29.53 ft)
Anti-EMI/RFI Interference	Yes (ideal for use in base stations and warehouses)
Operating Current	≤25 mA (12 VDC)

General

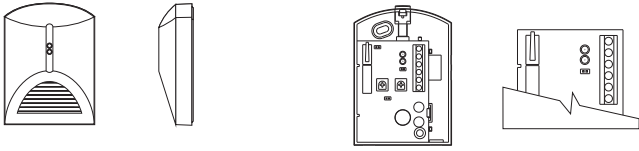
Power Supply	9–16 VDC
Power Consumption	0.4 W (Max.)
Operating Temperature	–10 °C to +55 °C (+14 °F to +131 °F)
Operating Humidity	10%–90% (RH)

Product Dimensions	67.0 mm × 26.4 mm × 92.0 mm (2.64" × 1.04" × 3.62") (L × W × H)
Net Weight	85 g (0.19 lb)
Gross Weight	89 g (0.20 lb)
Installation	Wall mount, ceiling mount
Casing Material	ABS
Appearance Color	White
Certifications	CE
Anti-corrosion Level	Basic Protection
Storage Temperature	–10 °C to +55 °C (+14 °F to +131 °F)
Storage Humidity	10%–90% (RH)
Packaging Dimensions	65.0 mm × 53.0 mm × 102.0 mm (2.56" × 2.09" × 4.02") (L × W × H)

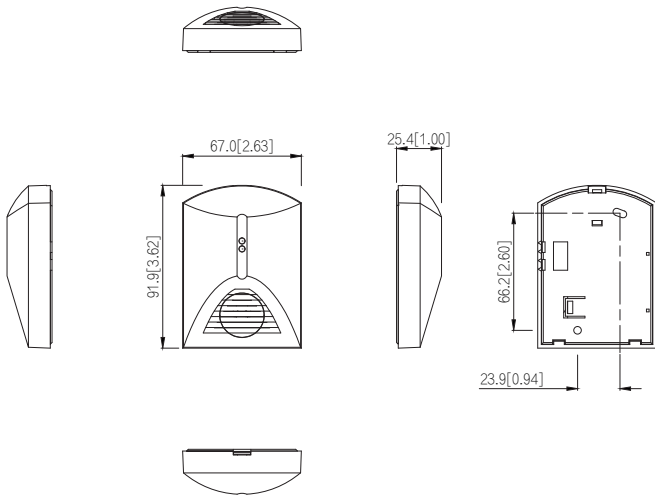
Ordering Information

Type	Model	Description
Glass Break Detector	DHI-ARD511	Glass Break Detector

Installation



Dimensions (mm[inch])



DHI-ARD1112C

Ceiling PIR Detector



- Resists white light of up to 6,500 lux.
- Resistant to RF interference in circuits.
- Automatic temperature compensation.

System Overview

The device detects when people move using PIR technology.

Scene

Used in entrances and exits, such as doors, windows, balconies, elevators and corridors, to protect against intrusions.

Technical Specification

Port

Alarm Output	1 × alarm output, NC/NO, 60 VDC, Max. 400 mA 1 × tamper output, NC, 28 VDC, Max. 100 mA
--------------	--

Function

Indicator Light	Red indicator
-----------------	---------------

Technical

Sensor	Dual-element low-noise pyroelectric infrared sensor
Detection Mode	Passive Infrared Detection (PIR)
Sensitivity	Adjustable sensitivity
Detection Range	Distance: Φ 7 m (22.97 ft) when installed 2.5 m (8.20 ft) above the floor, Φ 12 m (39.37 ft) when installed 3.6 m (11.81 ft) above the floor and Φ 13 m (42.65 ft) when installed 4.5 m (14.76 ft) above the floor Angle: 360°
Detection Speed	0.3 m/s–3 m/s (0.98 ft/s–9.84 ft/s)
White Light Resistance Level	6,500 lux
Two-way Digital Temperature Compensation	Yes
Pulse Count	1P; 2P
Operating Current	≤30 mA (12 VDC)

Alarm Current	≤10 mA
---------------	--------

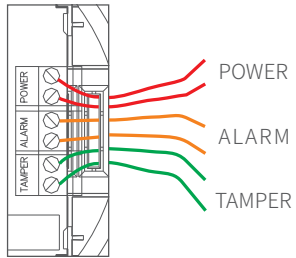
General

Power Supply	9–18 VDC
Power Consumption	0.54 W (Max.)
Operating Temperature	–10 °C to +55 °C (+14 °F to +131 °F)
Operating Humidity	≤95% (RH)
Product Dimensions	33.0 mm × Φ 115.0 mm (1.30" × Φ 4.53")
Net Weight	96.3 g (0.21 lb)
Gross Weight	133.3 g (0.29 lb)
Installation	Ceiling mount at a height of 2.5 m–4.5 m (8.20 ft–14.76 ft)
Casing Material	ABS and PE
Appearance Color	White
Protection	CE
Certifications	CE
Anti-corrosion Level	Basic Protection
Storage Temperature	–10 °C to +55 °C (+14 °F to +131 °F)
Storage Humidity	≤95% (RH)
Packaging Dimensions	50.0 mm × 142.0 mm × 140.0 mm (1.97" × 5.59 × 5.51") (L × W × H)

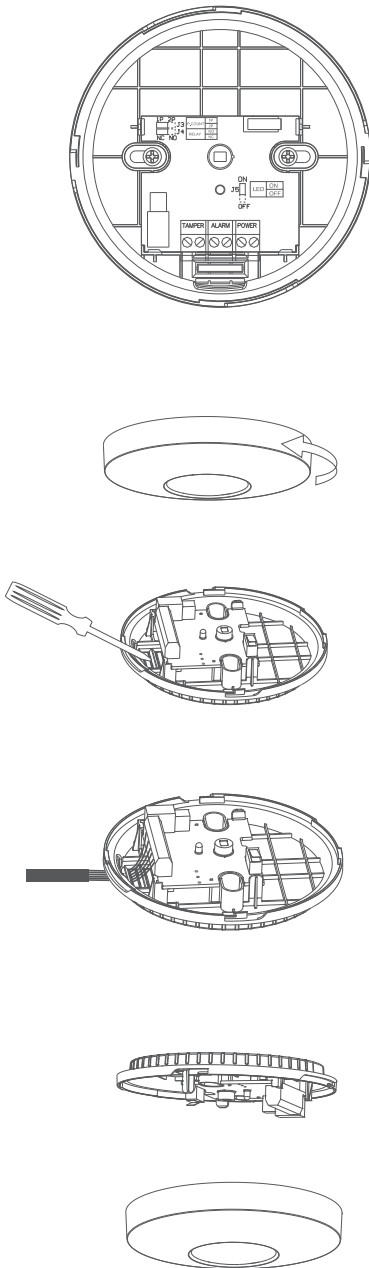
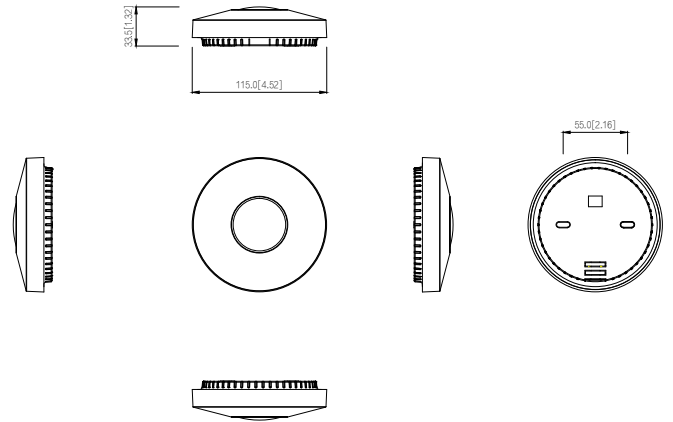
Ordering Information

Type	Model	Description
PIR Detector	DHI-ARD1112C	Ceiling PIR Detector

Installation



Dimensions (mm[inch])



DHI-ARD1233

PIR Detector



- RF interference is prevented from affecting PCB
- Automatic temperature compensation
- Detection angle up to 90°
- IR detection distance up to 12 m

System Overview

PIR Detector brings elegance and protection into one device that quickly detects and responds to intrusions, triggering alarms. It supports two alarm output modes (normally open and normally closed), and anti-demolition detection. Its in-built circuit has many functions, such as anti-RF interference and automatic temperature compensation. The detection distance can reach up to 12 m and the angle range can reach up to 90°.

Scene

It is suitable for the security guard of positions such as balcony, window and corridor.

Technical Specification

Function

Tamper	NC output, dry contact (contact capacity: 28 VDC, 80 mA)
--------	--

General

Power Supply	9–24 VDC
Operating Temperature	–10 °C to +55 °C (+14 °F to +131 °F)
Operating Humidity	≤95% (RH)
Product Dimensions	45 mm × 35 mm × 99 mm (1.77" × 1.38" × 3.9")
Packaging Dimensions	102 mm × 46 mm × 100 mm (4.02" × 1.81" × 3.94") (L × W × H)
Net Weight	50 g (0.11 lb)
Installation	Wall mount (2.2 m/7.22 ft)
Casing Material	Fireproof ABS

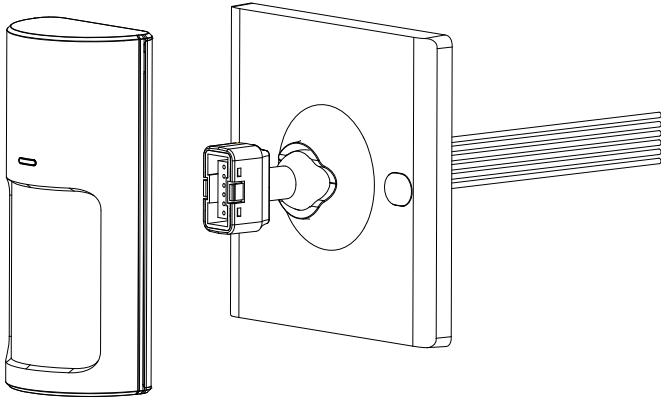
Technical

Operating Current	≤25 mA
Relay	NC in default, NO optional (contact capacity: 28VDC/80mA)
Detection Speed	0.3-3 m/s (0.98 ft/s-9.84 ft/s)
Detection Range	90°/12 m

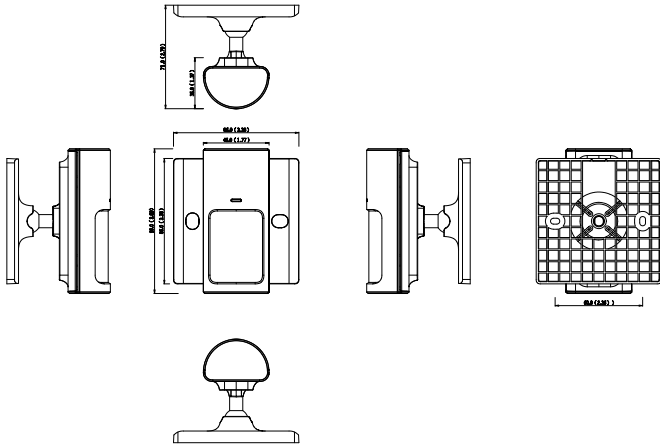
Ordering Information

Type	Model	Description
PIR Detector	DHI-ARD1233	RF interference is prevented from affecting PCB Automatic temperature compensation IR detection distance up to 12 m Detection angle up to 90° Tamper detection For indoors: –10 °C to +55 °C (+14 °F to +131 °F)

Installation



Dimensions (mm[inch])



DHI-ARD1613

Curtain PIR Detector



- Resists white light of up to 6,500 lux.
- Resistant to RF interference in circuits.
- Automatic temperature compensation.

System Overview

The device detects when people move using PIR technology.

Scene

Used in entrances and exits, such as doors, windows, balconies, elevators and corridors, to protect against intrusions.

Technical Specification

Port

Alarm Output	1 × alarm output, NC, 28 VDC, Max. 80 mA 1 × tamper output, NC, 28 VDC, Max. 80 mA
--------------	---

Function

Indicator Light	Red indicator
-----------------	---------------

Technical

Sensor	Pyroelectric infrared sensor
Detection Mode	Passive Infrared Detection (PIR)
Detection Range	Distance: 8 m (26.25 ft, wall mount); 4 m (13.12 ft, ceiling mount) Angle: 15°
Detection Speed	0.3 m/s–3 m/s (0.98 ft/s–9.84 ft/s)
White Light Resistance Level	6,500 lux
Two-way Digital Temperature Compensation	Yes
Operating Current	≤25 mA (12VDC)
Alarm Current	≤15 mA

General

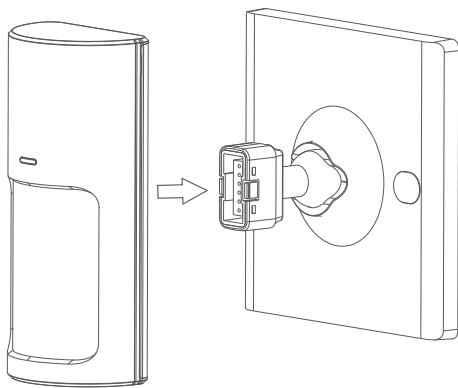
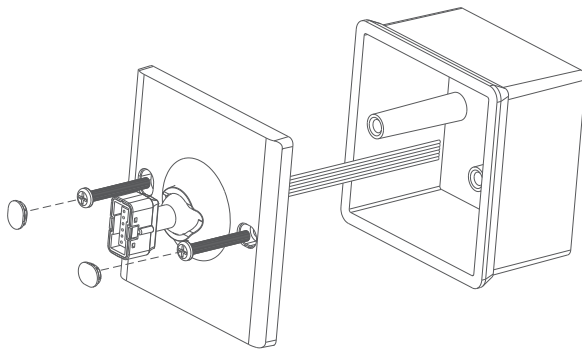
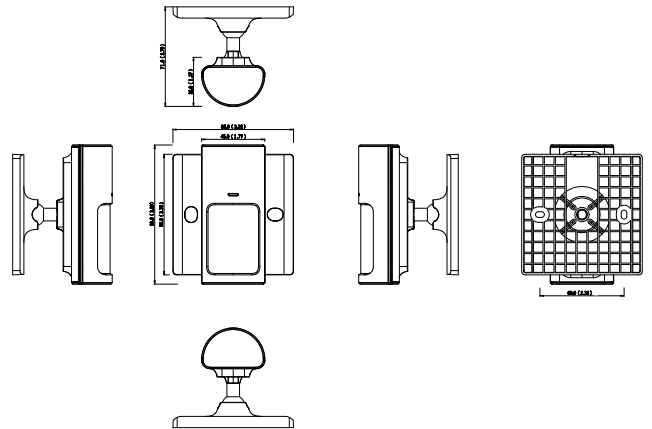
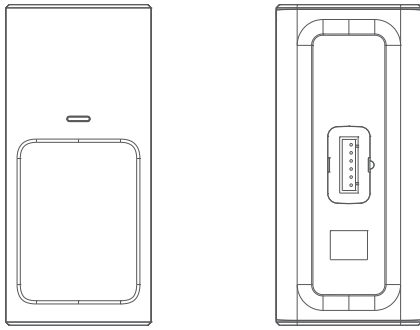
Power Supply	9–24 VDC
Power Consumption	0.6 W (Max.)
Operating Temperature	–10 °C to +55 °C (+14 °F to +131 °F)
Operating Humidity	≤95% (RH)
Product Dimensions	45.0 mm × 35.0 mm × 99.0 mm (1.77" × 1.38" × 3.90")
Net Weight	87.4 g (0.19 lb)
Gross Weight	119.4 g (0.26 lb)
Installation	Wall mount, ceiling mount
Casing Material	PC and ABS
Appearance Color	White
Certifications	CE
Anti-corrosion Level	Basic Protection
Storage Temperature	–10 °C to +55 °C (+14 °F to +131 °F)
Storage Humidity	≤95% (RH)
Packaging Dimensions	46.0 mm × 100.0 mm × 103.0 mm (1.81" × 3.94" × 4.06") (L × W × H)

Ordering Information

Type	Model	Description
PIR Detector	DHI-ARD1613	Curtain PIR Detector

Installation

Dimensions (mm[inch])



DHI-ARD2112C

Ceiling Dual-Tech Detector



- Resists white light of up to 6,500 lux.
- Two-way digital temperature compensation.
- Features AI and dynamic threshold technology.
- Resistant to EMI and RFI interference.

System Overview

This device uses passive infrared and microwave detection technology to eliminate interference from changes in temperature and lighting, ensuring the accuracy of human motion detection.

Scene

Used in entrances and exits, such as doors, windows, balconies and elevators to protect against intrusions.

Technical Specification

Port

Alarm Output	1 × alarm output, NC/NO, 28 VDC, Max. 100 mA 1 × case tamper output, NC, 28 VDC, Max. 100 mA
--------------	---

Function

Indicator Light	Red, green and yellow indicator
-----------------	---------------------------------

Technical

Sensor	Dual-element low-noise pyroelectric infrared sensor and microwave sensor
Detection Mode	Passive Infrared Detection (PIR) and microwave
Sensitivity	Adjustable sensitivity
Detection Range	Distance: Φ 7 m (22.97 ft) when installed 2.5 m (8.20 ft) above the floor, Φ 12 m (39.37 ft) when installed 3.6 m (11.81 ft) above the floor and Φ 13 m (42.65 ft) when installed 4.5 m (14.76 ft) above the floor Angle: 360°
Detection Speed	0.3 m/s–3 m/s (0.98 ft/s–9.84 ft/s)
Microwave Frequency	10.53 GHz
White Light Resistance Level	6,500 lux

Two-way Digital Temperature Compensation	Yes
Operating Current	≤60 mA (12 VDC)
Alarm Current	≤50 mA

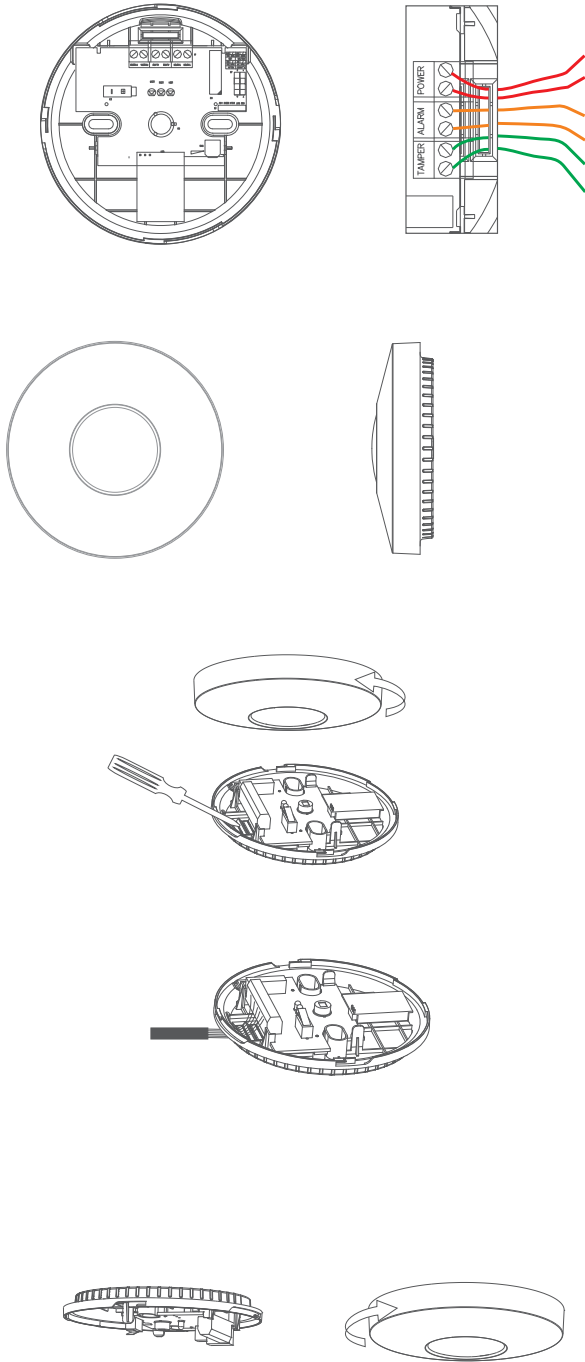
General

Power Supply	9–16 VDC
Power Consumption	0.8 W (Max.)
Operating Temperature	–10 °C to +55 °C (+14 °F to +131 °F)
Operating Humidity	≤95% (RH)
Product Dimensions	33.5 mm × Φ 114.0 mm (1.32" × Φ 4.49")
Net Weight	96.3 g (0.21 lb)
Gross Weight	133.3 g (0.29 lb)
Installation	Ceiling mount at a height of 2.5 m–4.5 m (8.20 ft–14.76 ft)
Casing Material	ABS and PE
Appearance Color	White
Certifications	CE
Anti-corrosion Level	Basic Protection
Storage Temperature	–10 °C to +55 °C (+14 °F to +131 °F)
Storage Humidity	≤95% (RH)
Packaging Dimensions	50.0 mm × 142.0 mm × 140.0 mm (1.97" × 5.59" × 5.51") (L × W × H)

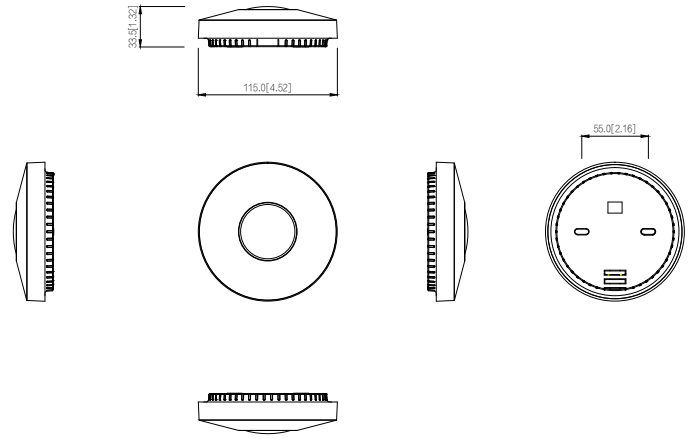
Ordering Information

Type	Model	Description
Dual-tech Detector	DHI-ARD2112C	Ceiling Dual-Tech Detector

Installation



Dimensions (mm[inch])



DHI-ARD2235

Dual-tech Detector



- Immune to animals that weigh up to 25 kg.
- Resists white light of up to 6,500 lux.
- Two-way digital temperature compensation.
- Features AI and dynamic threshold technology.
- Resistant to EMI and RFI interference.

System Overview

This device uses passive infrared and microwave detection technology to eliminate interference from changes in temperature and lighting, ensuring the accuracy of human motion detection.

Scene

Used in entrances and exits, such as doors, windows, balconies and elevators to protect against intrusions.

Technical Specification

Port

Alarm Output	1 × alarm output, NC/NO, 60 VDC, Max. 400 mA 1 × case tamper output, NC, 28 VDC, Max. 100 mA
--------------	---

Function

Indicator Light	Red, green and yellow indicator
-----------------	---------------------------------

Technical

Sensor	Dual-element low-noise pyroelectric infrared sensor and microwave sensor
Detection Mode	Passive Infrared Detection (PIR), microwave and intelligent review algorithm
Sensitivity	Adjustable sensitivity
Detection Range	Distance: 12 m (39.37 ft) Angle: 90°
Detection Speed	0.3 m/s–3 m/s (0.98 ft/s–9.84 ft/s)
Pet Immunity Level	≤25 kg (55.12 lb)
White Light Resistance Level	6,500 lux
Two-way Digital Temperature Compensation	Yes
AND/OR Technology	Yes
Dynamic Threshold Technology	Yes

Pulse Count	Yes, 1P or 2P
Operating Current	≤30 mA (12 VDC)
Alarm Current	≤25 mA

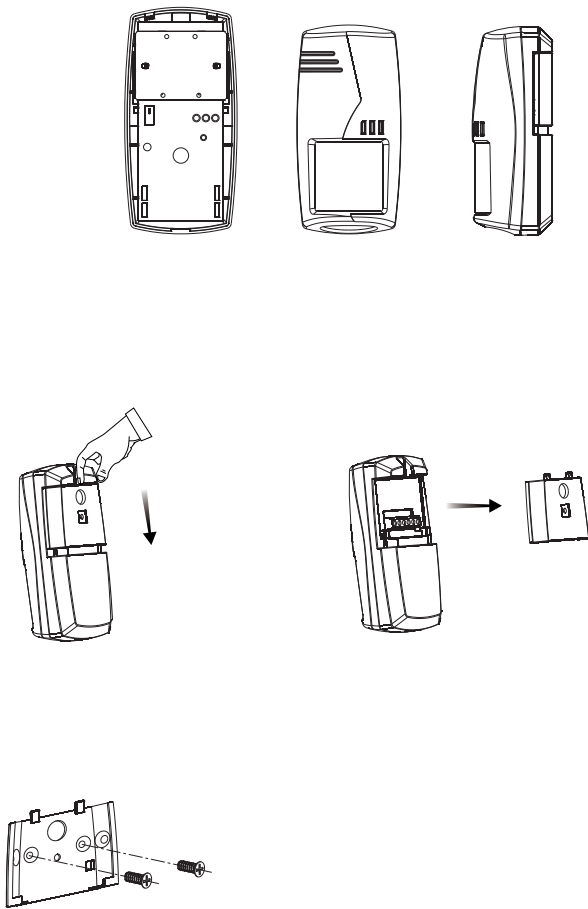
General

Power Supply	9–16VDC
Power Consumption	0.48 W (Max.)
Operating Temperature	–10 °C to +55 °C (+14 °F to +131 °F)
Operating Humidity	≤95% (RH)
Product Dimensions	60.0 mm × 46.0 mm × 120.0 mm (2.36" × 1.81" × 4.73") (L × W × H)
Net Weight	165.0 g (0.36 lb)
Gross Weight	176 g (0.39 lb)
Installation	Wall mount
Casing Material	ABS
Appearance Color	White
Certifications	CE
Anti-corrosion Level	Basic Protection
Storage Temperature	–10 °C to +55 °C (+14 °F to +131 °F)
Storage Humidity	≤95% (RH)
Packaging Dimensions	82.0 mm × 50.0 mm × 133.0 mm (3.23" × 1.97" × 5.24") (L × W × H)

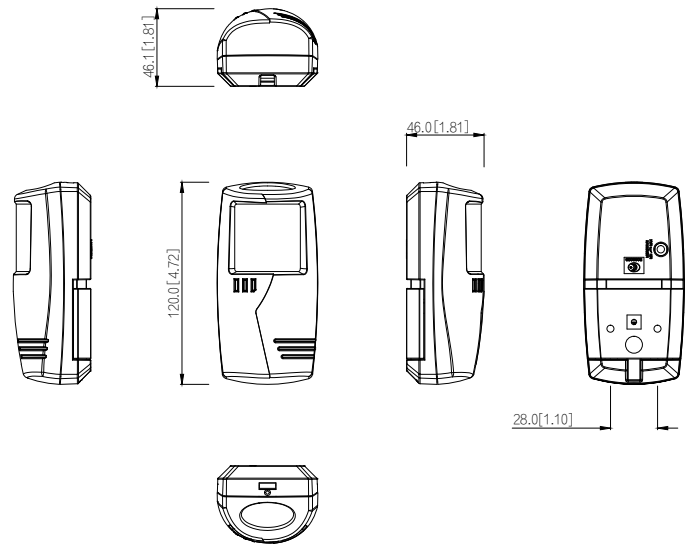
Ordering Information

Type	Model	Description
Dual-tech Detector	DHI-ARD2235	Dual-tech Detector

Installation



Dimensions (mm[inch])



DHI-FAD201A

4-Wire Non-addressable Smoke Detector



Overview

This product is a 4-Wire Non-addressable smoke detector, adopting unique dustproof, mothproof, anti-light interference structural design. Applications in hotel, accommodation, shopping mall, small storage and etc.

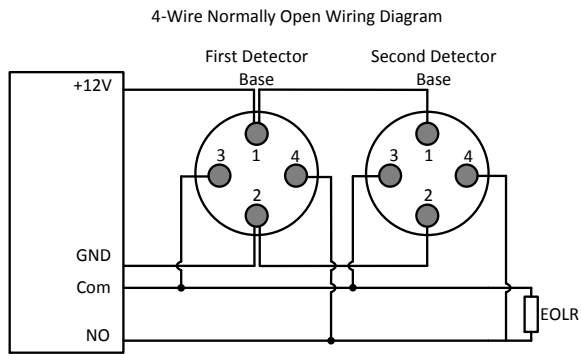
Features

- Infrared photoelectric sensor
- MCU processing, eliminate false alarm
- Relay NO output and LED indicating alarm
- Surface-mount device (SMD) circuit board design

Technical Specification

Operating Voltage	DC9V~DC15V
Work Principle	Photoelectric
Standby Current	≤2mA
Alarm Current	≤30mA
LED Status	Normal: Red LED flashes per 9 seconds
	Alarm: Red LED flashes quickly
Environment	Temperature: -10°C~55°C Relatively humidity: ≤95%
Alarm Output	NO relay out
Detection Range	≤60m ²
Dimensions	103mm × 104mm × 46mm
Weight	About 120g
Installation Method	Ceiling or wall Mounting
Material	ABS
Quality Level	Industrial

Typical Wiring Diagram





ACCESSOIRES

FILAIRES



DHI-ARA11

Indoor Siren



- Sound alarms triggered by high sound pressure.
- Indoor rotating alarm light.
- Made from environmentally-friendly plastics.

System Overview

When receiving alarm signals, the device can trigger sound and light alarms.

Scene

Ideal for use indoors.

Technical Specification

Function

Indicator Light	Red indicator
Buzzer	1

Technical

Operating Current	≤300 mA (12 VDC)
Continuous Operating Time	≥45 min, 12 VDC
Sound and Light Alarm	Yes
Sound Pressure	105 dB ± 3 dB/30 cm (11.81")

General

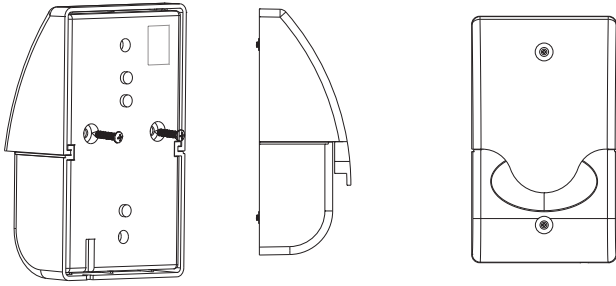
Power Supply	10–15 VDC
Power Consumption	4.5 W (Max.)

Operating Temperature	–10 °C to +55 °C (+14 °F to +131 °F)
Operating Humidity	≤90% (RH)
Product Dimensions	73.0 mm × 43.0 mm × 124.6 mm (2.87" × 1.69" × 4.91") (L × W × H)
Net Weight	126 g (0.28 lb)
Gross Weight	140 g (0.31 lb)
Installation	Surface mount
Casing Material	ABS and acrylic plate
Appearance Color	White ABS and red acrylic plate
Certifications	CE
Anti-corrosion Level	Basic Protection
Storage Temperature	–10 °C to +55 °C (+14 °F to +131 °F)
Storage Humidity	≤90% (RH)
Packaging Dimensions	82.0 mm × 50.0 mm × 133.0 mm (3.23" × 1.97" × 5.24") (L × W × H)

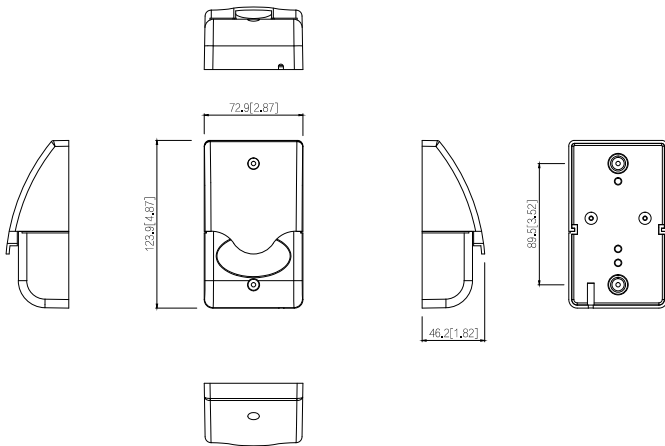
Ordering Information

Type	Model	Description
Siren	DHI-ARA11	Indoor Siren

Installation



Dimensions (mm[inch])



DHI-ARA13

External Siren



- Sound alarms triggered by high sound pressure.
- Outdoor rotating alarm light.
- Made from environmentally-friendly plastics.

System Overview

When receiving alarm signals, the device can trigger sound and light alarms.

Scene

Ideal for use outdoors.

Technical Specification

Function

Indicator Light	Red indicator
-----------------	---------------

Buzzer	1
--------	---

Technical

Operating Current	≤200 mA (12 VDC)
-------------------	------------------

Sound and Light Alarm	Yes
-----------------------	-----

Sound Pressure	105 ± 3 dB/30 cm (11.81")
----------------	---------------------------

General

Power Supply	12 VDC
--------------	--------

Power Consumption	2.4 W (Max.)
-------------------	--------------

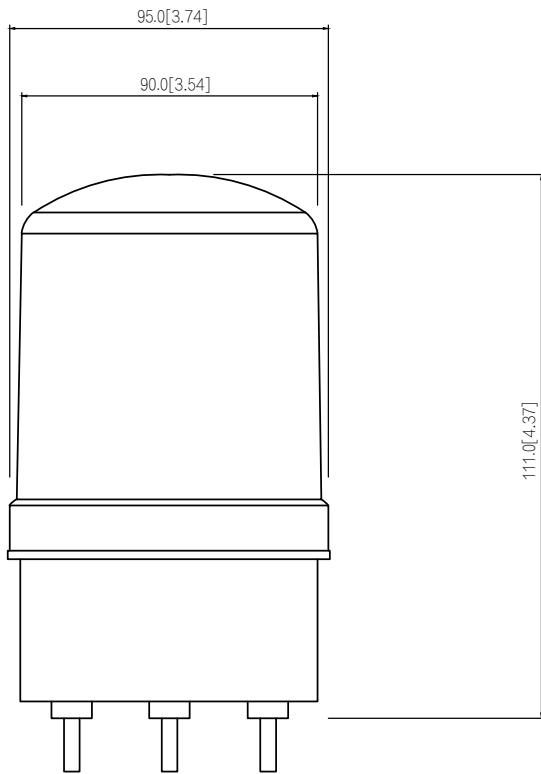
Operating Temperature	-20 °C to +70 °C (-4 °F to +158 °F)
-----------------------	-------------------------------------

Operating Humidity	10%–90% (RH)
Product Dimensions	157.0 mm × Ø89.5 mm (6.18" × Ø3.52")
Net Weight	240 g (0.53 lb)
Gross Weight	250 g (0.55 lb)
Installation	Surface mount
Casing Material	PC and ABS
Appearance Color	Red lamp shade
Protection	IP45
Certifications	CE
Accessory	L-shaped iron sheet bracket × 1
Anti-corrosion Level	Basic Protection
Storage Temperature	-20 °C to +70 °C (-4 °F to +158 °F)
Storage Humidity	10%–90% (RH)
Packaging Dimensions	177.0 mm × 98.0 mm × 98.0 mm (6.97" × 3.86" × 3.86") (L × W × H)

Ordering Information

Type	Model	Description
Siren	DHI-ARA13	External Siren

Dimensions (mm[inch])



DHI-ARA21-W

Four-Key Remote Control



Feature

- Fine appearance, high performance, high reliability
- FSK, OOK modulation modes
- Frequency band is 434MHz by default
- Max transmit power +10 dBm
- Low consumption, current under sleep < 10nA
- Under +10dBm output power, TX current is 19.8mA (FSK transmit mode)
- Super-LOW current power down mode (30NA OFF current, 50nA standby current)
- Data transmission rate: max 100Kbps
- Power is 1.8V~3.6V
- Battery voltage detection
- 128 bit AES encryption algorithm

Technical Specifications

Model	Description	Min	Regular	Max	Unit
Name	Wireless key fob				
Working voltage	1.8	3.0	3.6	V	
Frequency		3.15	434	915	MHz
Max reflection power		9.2	9.6	10	dBm
Transmitting current	+10dBm 3.0V	18.9	19.8	21	mA
Data rate	FSK Modulation	0.1	4.8	100	Kbps
Key			4		
Temperature		-10°C		+50°C	
Ingress protection			IP20		
Dimension	L*W*H (mm)		62*30*14		

ARA58-F-EN



ARA58-F-EN



ARA58-F-AUX

- Simple installation, connects directly to PCB's connector through the serial line.
- Supports GSM/WCDMA/LTE-FDD/LTE-TDD.
- Sends messages to alert you of events. ARA58-F-EN also supports remotely controlling the device through the message.
- Calls to inform you of alarms. ARA58-F-EN also supports leaving a voice message.
- Used with wired control panel ARC2008C/ARC2016C/ARC9016C/ARC3008C.

Technical Specification

Port

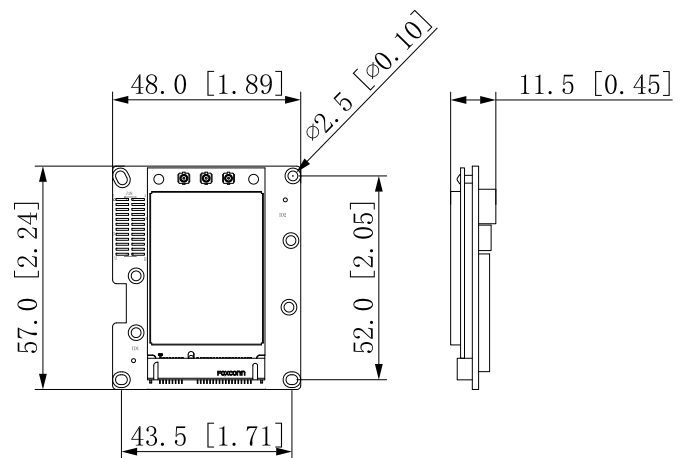
Network Mode

ARA58-F-EN: GSM: 900/1800MHz, WCDMA: B1/B5/B8, LTE-FDD: B1/B3/B5/B7/B8/B20, LTE-TDD: B38/B40/B41
 ARA58-F-AUX: GSM: 850/900/1800/1900 MHz, WCDMA: B1/B2/B5/B8, LTE-FDD: B1/B2/B3/B4/B5/B7/B8/B28, LTE-TDD: B40

General

Power Consumption	4 W
Operating Temperature	-10 °C to +55 °C (+14 °F to +131 °F)
Operating Humidity	10%–90% (RH)
Storage Temperature	-40 °C to +80 °C (-40 °F to +176 °F)
Packaging Dimensions	238 mm × 109 mm × 45 mm (9.37" × 4.29" × 1.77")
Net Weight	< 90 g (0.20 lb)

Dimensions (mm/inch)



ARA58-G-EN, ARA58-G-IT



- Simple installation, connects directly to PCB's connector.
- Sends messages to alert you of events. You can remotely control the device through the message.
- Calls and leaves voice messages to inform you of alarms. You can remotely control the device through the voice menu.
- Sends messages with your phone bill regularly.
- English language version model: ARA58-G-EN.
- Italy language version model: ARA58-G-IT.

Technical Specification

Network Mode	GSM850; EGSM900; DCS1800; PCS1900 MHz
Environmental Class	II
Enclosure dimensions	71 × 51 × 24 mm
Operating Temperature	-10 °C to +55 °C
Humidity	10% – 90%
Device Weight	<90 g
Number of SMS notification	8
Number of Vocal message	8

DHI-ARD811

Panic Button (86 box)



- Supports being mounted in a 86 mm × 86 mm junction box.
- Works in a wide range of environments with a voltage that is no more than 250 VDC and a current that is no more than 300 mA.
- Works without a power supply.
- A reset key is included to quickly reset the device if necessary.

System Overview

The device triggers alarms with the press of a button.

Scene

Ideal for locations where alarms need to be manually triggered in emergencies, such as bank counters, accessible toilets and rooms for the elderly.

Technical Specification

Port

Alarm Output 1, NC/NO, 250 VDC, Max. 300 mA

General

Operating Temperature -10 °C to +55 °C (+14 °F to +131 °F)

Operating Humidity ≤95% (RH)

Product Dimensions 86.0 mm × 32.0 mm × 86.0 mm (3.39" × 1.26" × 3.39")
(L × W × H)

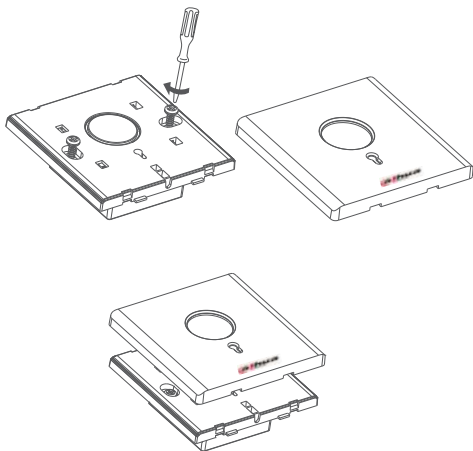
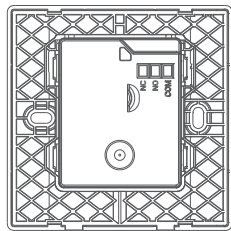
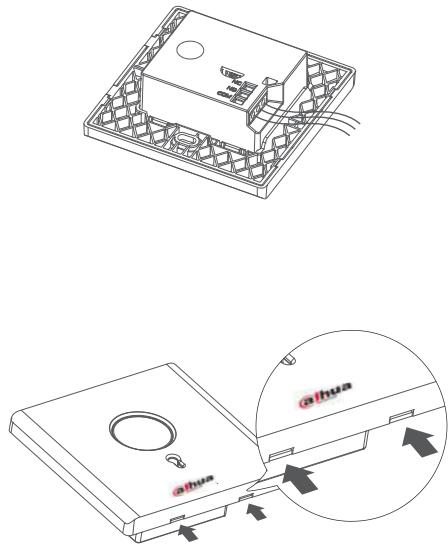
Net Weight 54 g (0.119 lb)

Gross Weight	56.5 g (0.124 lb)
Installation	Junction box (86 mm × 86 mm)
Casing Material	ABS
Appearance Color	White case and red button
Certifications	CE
Anti-corrosion Level	Basic Protection
Storage Temperature	-10 °C to +55 °C (+14 °F to +131 °F)
Storage Humidity	≤95% (RH)
Packaging Dimensions	88.0 mm × 36.0 mm × 88.0 mm (3.46" × 1.42" × 3.46") (L × W × H)

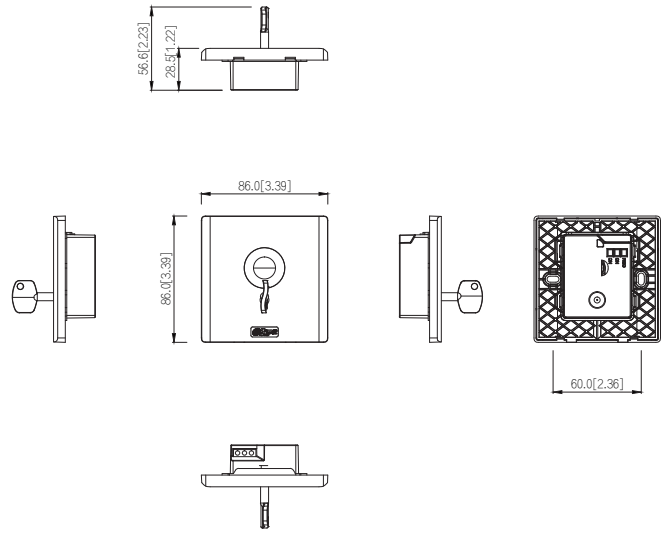
Ordering Information

Type	Model	Description
Panic Button	DHI-ARD811	Panic Button (86 box)

Installation



Dimensions (mm[inch])



DHI-ARD812

Panic Button



- Surface mount with screws.
- Works in a wide range of environments with a voltage that is no more than 250 VDC and a current that is no more than 300 mA.
- Works without a power supply.
- A reset key is included to quickly reset the device if necessary.

System Overview

The device triggers alarms with the press of a button.

Scene

Ideal for locations where alarms need to be manually triggered in emergencies, such as bank counters, accessible toilets and rooms for the elderly.

Technical Specification

Port

Alarm Output 1, NC/NO, 250 VDC, Max. 300 mA

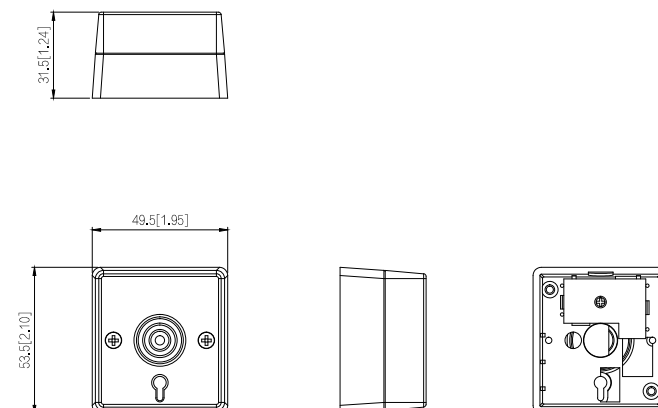
General

Operating Temperature	-10 °C to +55 °C (+14 °F to +131 °F)
Operating Humidity	≤95% (RH)
Product Dimensions	49.5 mm × 32.5 mm × 53.5 mm (1.95" × 1.28" × 2.11") (L × W × H)
Net Weight	34 g (0.07 lb)
Gross Weight	41.5 g (0.09 lb)
Installation	Surface mount
Casing Material	ABS
Appearance Color	Cineros
Certifications	CE
Anti-corrosion Level	Basic Protection
Storage Temperature	-10 °C to +55 °C (+14 °F to +131 °F)
Storage Humidity	≤95% (RH)
Packaging Dimensions	56.0 mm × 35.0 mm × 56.0 mm (2.20" × 1.38" × 2.20") (L × W × H)

Ordering Information

Type	Model	Description
Panic Button	DHI-ARD812	Panic Button

Dimensions (mm[inch])



DHI-ARK50C

Alarm Keypad



- 5 intuitive indicators, including zone status, fault, arming/disarming, network, and communication indicators to quickly identify the status of the system.
- Powerful search engine to find information on the zone status, system faults, program version, and communication parameters.
- Arm and disarm locally for added convenience.
- Multiple search functions such as controller programming, arming/disarming, alarm cancelling, bypassing/unbypassing, relay operations, zone status search, and walk test.

Technical Specification

Interface

Screen	Resolution: 128 × 64 LCD Size: 56.27 mm × 38.35 mm (2.22" × 1.51")
Indicator Light	Zone status, fault, arming/disarming, network and communication
Button	0-9, Menu, Up, Down, *, #, Fire, Medical, Arm, Bypass, and Enter
RS-485	1
Buzzer	Built-in

Function

Remote Update	Yes
Arm and Disarm	Local
Power Failure Protection for Configured Parameters	Yes
Tamper	Housing tamper
Search	Zone status, system faults, program version, and communication parameters
Function	Supports functions such as controller programming, arming/disarming, alarm cancelling, bypassing/unbypassing, relay operations, zone status search, and walk test
Language	English

Wireless

Carrier Frequency	433.1 MHz
Transmit Power	Limit 10 mW
Communication Distance	80 m (262.47 ft)
Encryption Mode	AES128

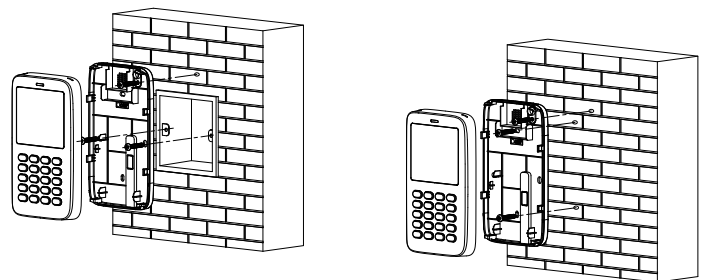
General

Casing	PC + ABS
--------	----------

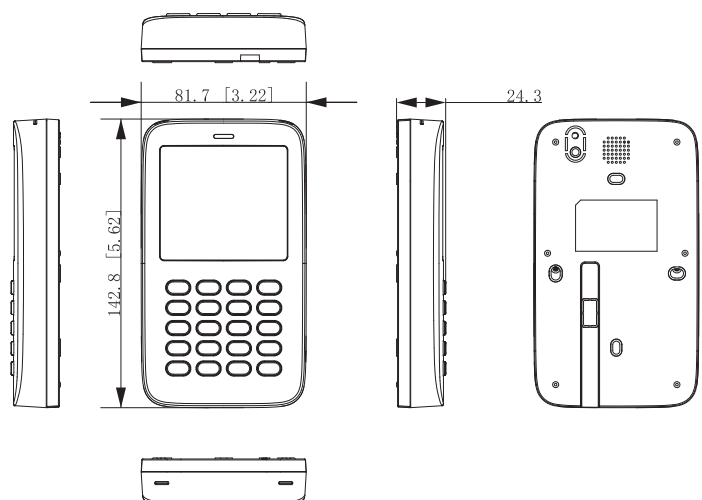
Ordering Information

Type	Model	Description
Alarm Keypad	DHI-ARK50C	Alarm keypad

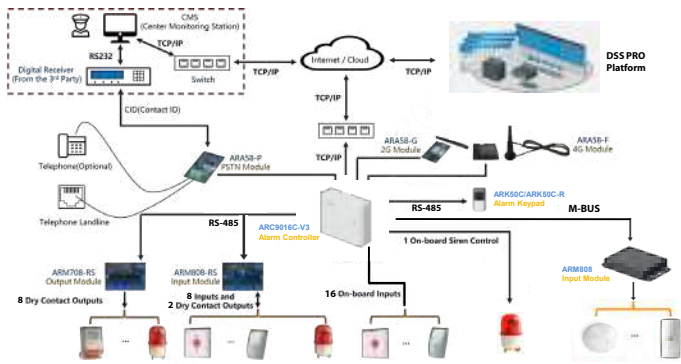
Installation



Dimensions (mm [inch])



Dimensions (mm [inch])



DHI-ARK50C-R

Alarm Keypad



- 5 intuitive indicators, including zone status, fault, arming/disarming, network, and communication indicators to quickly identify the status of the system.
- Powerful search engine to find information on the zone status, system faults, program version, and communication parameters.
- Arm and disarm with the, IC card or locally for added convenience.
- Multiple search functions such as controller programming, arming/disarming, alarm cancelling, bypassing/unbypassing, relay operations, zone status search, and walk test.

Technical Specification

Interface

Screen	Resolution: 128 × 64 LCD Size: 56.27 mm × 38.35 mm (2.22" × 1.51")
Indicator Light	Zone status, fault, arming/disarming, network and communication
Button	0–9, Menu, Up, Down, *, #, Fire, Medical, Arm, Bypass, and Enter
RS-485	1
Buzzer	Built-in

Function

Remote Update	Yes
Arm and Disarm	Local; IC card (up to 32)
Power Failure Protection for Configured Parameters	Yes
Tamper	Housing tamper
Search	Zone status, system faults, program version, and communication parameters
Function	Supports functions such as controller programming, arming/disarming, alarm cancelling, bypassing/unbypassing, relay operations, zone status search, and walk test
Language	English

Wireless

RFIC Frequency	13.56MHz
Carrier Frequency	433.1 MHz
Transmit Power	Limit 10 mW
Communication Distance	80 m (262.47 ft)
Encryption Mode	AES128

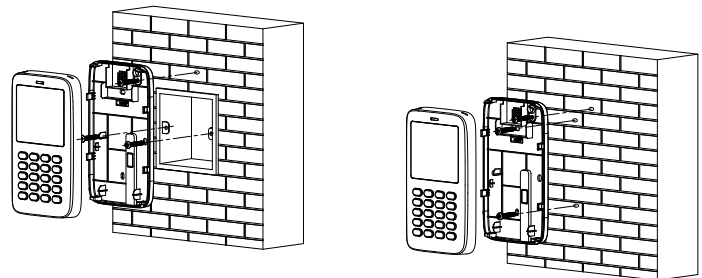
General

Casing	PC + ABS
--------	----------

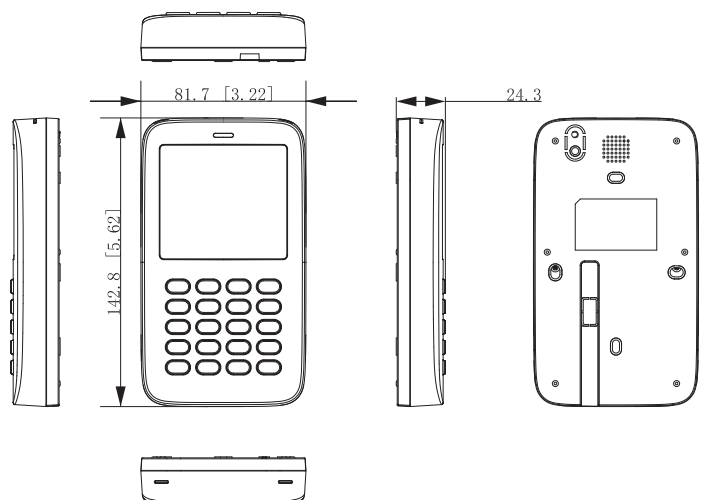
Ordering Information

Type	Model	Description
Alarm Keypad	DHI-ARK50C-R	Alarm keypad, supports card

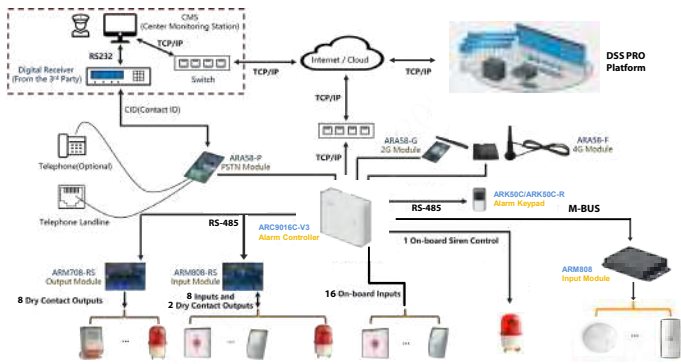
Installation



Dimensions (mm [inch])



Dimensions (mm [inch])



DHI-ARM2C0-P-W(868)

Alarm Expansion Module



Series Overview

Alarm Expansion Module is mainly used to connect wireless devices to a wired control panel, it communicates with wireless devices via 868 MHz RF signal, and communicates with wired control panel via wired network signal, which makes the installation and deployment of the security system more convenient and lower cost, especially suitable for some projects that have been completed but need to increase zones later.

Scene

Ideal for use in shops, villas, office buildings and more.

Technical Specification

Port

Alarm Input	2-channel dry contact input onboard Multiple types of zone loops: NO/NC, 1EOL, 2EOL, 3EOL 3 EOLR values: 2.7 K, 4.7 K and 6.8 K
Alarm Output	2-channel relay output onboard (≤30 VDC, 1 A, resistive load only)
Wireless Peripheral	A single module supports up to 16 wireless peripherals, including sirens (no more than 6), detectors (door detectors, IR, panic buttons, single-channel input modules), and keyfobs.
Network Port	10 Mbps/100 Mbps self-adaptive Ethernet port, standard PoE

Function

Indicator Light	3× Power supply indicator: Red Wireless connection indicator: Green Pairing indicator: Green
Button	2×, a pairing button and a button to restore the device to its factory settings
Offline Cache	Max. 1024 buffer data
Remote Update	Yes
Network Protocol	TCP/IP

- 12 VDC and standard PoE power supply.
- 2-channel alarm input onboard, and 2-channel relay output onboard.
- Multiple types of zone loops such as NO/NC, 1EOL, 2EOL, and 3EOL.
- Supports 3 EOLR values (2.7 K, 4.7 K, and 6.8 K).
- Converts the wireless data form wireless peripherals into TCP/IP net working data sent to the wired control panel.
- Supports up to 1024 event buffers when the connection with the control panel is lost.
- Remote update.

Tamper	Case tamper detection
Signal Strength	Detects the wireless signal strength through the alarm controller webpage
Power Failure Protection for Configured Parameters	Yes

Technical

Scenario	Indoors
Operating Current	130 mA
Alarm Current	160 mA

Wireless

Carrier Frequency	868.0 MHz–868.6 MHz
Communication Mechanism	Two-way communication
Communication Distance	Up to 2 km (6,561.68 ft) in an open space
Encryption Mode	AES128
Frequency Hopping	Yes

General

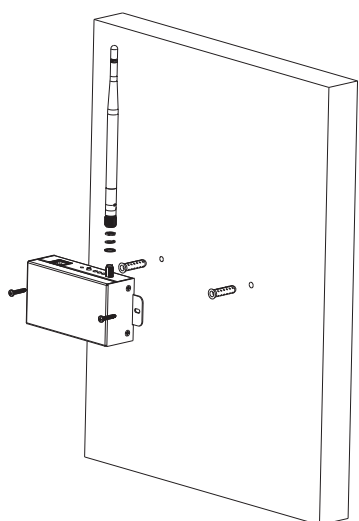
Power Supply	12 VDC/PoE (802.3af)
Operating Temperature	−10 °C to +55 °C (+14 °F to +131 °F)
Operating Humidity	10%–90% (RH)
Product Dimensions	126.0 mm × 57.0 mm × 33.2 mm (4.96" × 2.24" × 1.31")
Net Weight	230 g (0.51 lb)
Gross Weight	380 g (0.84 lb)
Installation	Wall mount
Casing Material	Electro-galvanized sheet
Certifications	CE
Anti-corrosion Level	Basic Protection

DHI-ARM2C0-P-W(868)

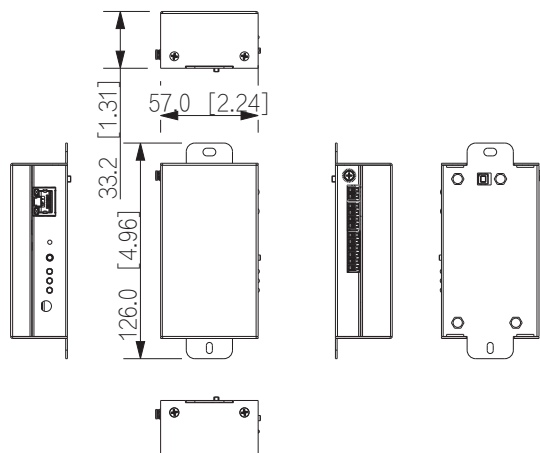
Storage Temperature	-10 °C to +55 °C (+14 °F to +131 °F)
Storage Humidity	10%–90% (RH)
Packaging Dimensions	187.0 mm × 164.0 mm × 58.0 mm (7.36" × 6.46" × 2.28")

Ordering Information		
Type	Part Number	Description
Alarm Expansion Module	DHI-ARM2C0-P-W(868)	Alarm Expansion Module

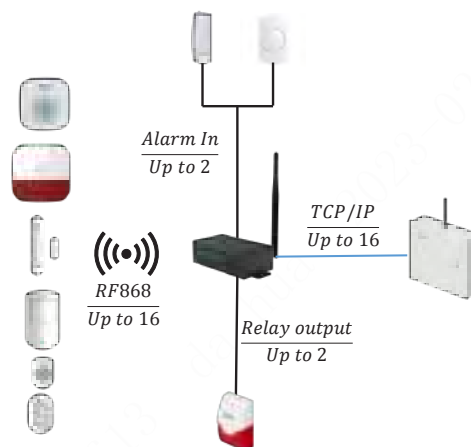
Installation



Dimensions (mm[inch])



Application



- Network cable
- The signal line
- (((•))) Sub1g

DHI-ARM2C0-P-W

Alarm Expansion Module



Series Overview

Alarm Expansion Module is mainly used to connect wireless devices to a wired control panel, it communicates with wireless devices via 433 MHz RF signal, and communicates with wired control panel via wired network signal, which makes the installation and deployment of the security system more convenient and lower cost, especially suitable for some projects that have been completed but need to increase zones later.

Scene

Ideal for use in shops, villas, office buildings and more.

Technical Specification

Port

Alarm Input	2-channel dry contact input onboard Multiple types of zone loops: NO/NC, 1EOL, 2EOL, 3EOL 3 EOLR values: 2.7 K, 4.7 K and 6.8 K
Alarm Output	2-channel relay output onboard (≤ 30 VDC, 1 A, resistive load only)
Wireless Peripheral	A single module supports up to 16 wireless peripherals, including sirens (no more than 6), detectors (door detectors, IR, panic buttons, single-channel input modules), and keyfobs.
Network Port	10 Mbps/100 Mbps self-adaptive Ethernet port, standard PoE

Function

Indicator Light	3× Power supply indicator: Red Wireless connection indicator: Green Pairing indicator: Green
Button	2×, a pairing button and a button to restore the device to its factory settings
Offline Cache	Max. 1024 buffer data
Remote Update	Yes
Network Protocol	TCP/IP

- 12 VDC and standard PoE power supply.
- 2-channel alarm input onboard, and 2-channel relay output onboard.
- Multiple types of zone loops such as NO/NC, 1EOL, 2EOL, and 3EOL.
- Supports 3 EOLR values (2.7 K, 4.7 K, and 6.8 K).
- Converts the wireless data form wireless peripherals into TCP/IP network working data sent to the wired control panel.
- Supports up to 1024 event buffers when the connection with the control panel is lost.
- Remote update.

Tamper	Case tamper detection
Signal Strength	Detects the wireless signal strength through the alarm controller webpage
Power Failure Protection for Configured Parameters	Yes

Technical

Scenario	Indoors
Operating Current	130 mA
Alarm Current	160 mA

Wireless

Carrier Frequency	433.1 MHz–434.6 MHz
Communication Mechanism	Two-way communication
Communication Distance	Up to 2 km (6,561.68 ft) in an open space
Encryption Mode	AES128
Frequency Hopping	Yes

General

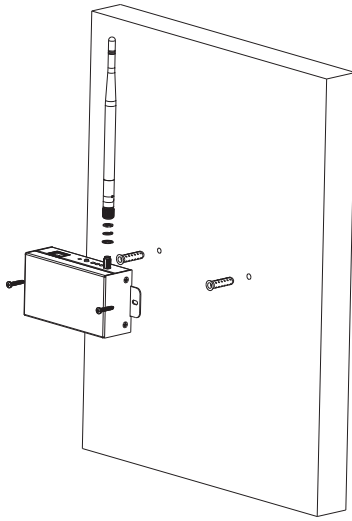
Power Supply	12 VDC/PoE (802.3af)
Operating Temperature	-10 °C to +55 °C (+14 °F to +131 °F)
Operating Humidity	10%–90% (RH)
Product Dimensions	126.0 mm × 57.0 mm × 33.2 mm (4.96" × 2.24" × 1.31")
Net Weight	230 g (0.51 lb)
Gross Weight	390 g (0.84 lb)
Installation	Wall mount
Casing Material	Electro-galvanized sheet
Certifications	CE

DHI-ARM2C0-P-W

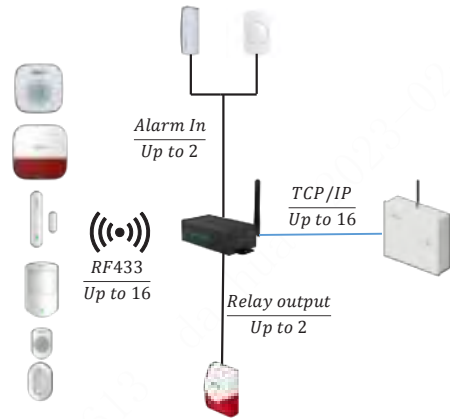
Anti-corrosion Level	Basic Protection
Storage Temperature	-10 °C to +55 °C (+14 °F to +131 °F)
Storage Humidity	10%–90% (RH)
Packaging Dimensions	187.0 mm × 164.0 mm × 58.0 mm (7.36" × 6.46" × 2.28")

Ordering Information		
Type	Part Number	Description
Alarm Expansion Module	DHI-ARM2C0-P-W	Alarm Expansion Module

Installation

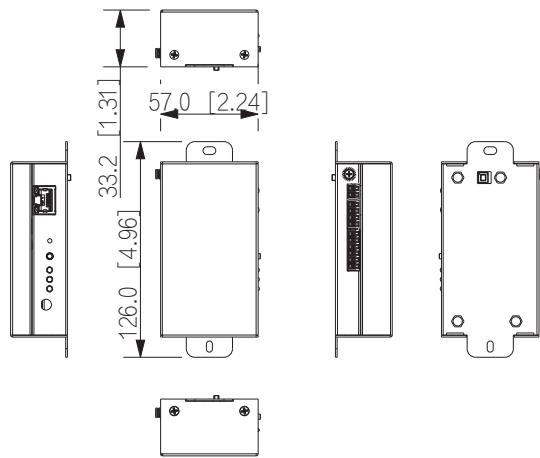


Application



- Network cable
- The signal line
- ((())) Sub1g

Dimensions (mm[inch])



DHI-ARM708-RS

Output Expansion Module



- 8-channel alarm outputs
- Address setting with DIP switch
- Alarm output switch between NO (Normally Open) and NC (Normally Closed) with jumper
- Remote update by client software

System Overview

DHI-ARM708-RS is an output expansion module which needs to be used together with ARC3008C, ARC9016C, ARC2008C and ARC2016C.

Technical Specification

Port

Alarm Output	8
RS-485	1, connected to a maximum of 300 m (984.25 ft) cable typed RVV2 × 1.5

Function

Device Address	0–15 (ARC9 series, ARC2 series) 1–8 (ARC3008)
Alarm Output Mode	Switch between NO and NC with jumper
Output Capacity	30 VDC/500 mA
Update	Remote update by client software

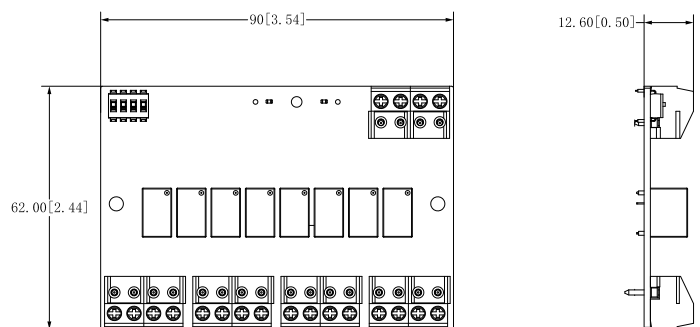
General

Power Supply	12 VDC
Power Consumption	1.8 W
Operating Temperature	–10 °C to +55 °C (+ 14 °F to + 131 °F)
Operating Humidity	10%–90% (RH)
Product Dimensions	90.0 mm × 62.0 mm × 12.6 mm (3.54" × 2.44" × 0.5") (L × W × H)
Net Weight	≤ 1 kg (2.20 lb)

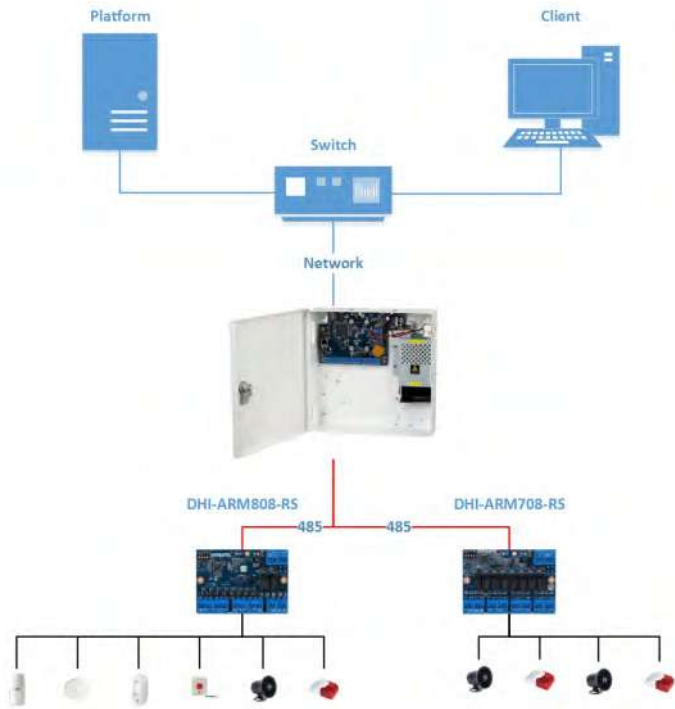
Ordering Information

Type	Model	Description
Alarm Accessory	DHI-ARM708-RS	Output expansion module 8-channel alarm outputs

Dimensions (mm[inch])



Application



ARM801

M-Bus 1-Zone Expansion Module



- 1 zone expansion
- M-Bus protocol.
- Applied in ARC9016C-V3.

Technical Specification

Name	1 Zone expansion module
Zone Expansion	1 zone
Communication Protocol	M-Bus
Baud Rate	9600 bps
Address	Addressable code
Dimensions (W × D × H)	60.0 mm × 25.0 mm × 13.0 mm (2.36" × 0.98" × 0.51")
Operating Temperature	-10 °C to +55 °C (+14 °F to + 131 °F)

Ordering Information

Type	Model	Description
Alarm Accessory	ARM801	M-Bus 1-Zone Expansion Module

ARM802

M-Bus 2-Zone Expansion Module



- 2 zone expansion
- M-Bus protocol
- Applied in ARC9016C-V3

Technical Specification

Name	M-Bus 2-Zone expansion module
Zone Expansion	2 zones
Communication Protocol	M-Bus
Baud Rate	9600 bps
Address	Addressable code
Operating Temperature	-10 °C to +55 °C (+14 °F to + 131 °F)

Ordering Information

Type	Model	Description
Alarm Accessory	ARM802	M-Bus 2-Zone Expansion Module

DHI-ARM808

M-Bus 8-Zone Expansion Module



- 8-zone expansion
- 1-channel alarm outputs
- M-Bus protocol
- Applied in ARC9016C-V3

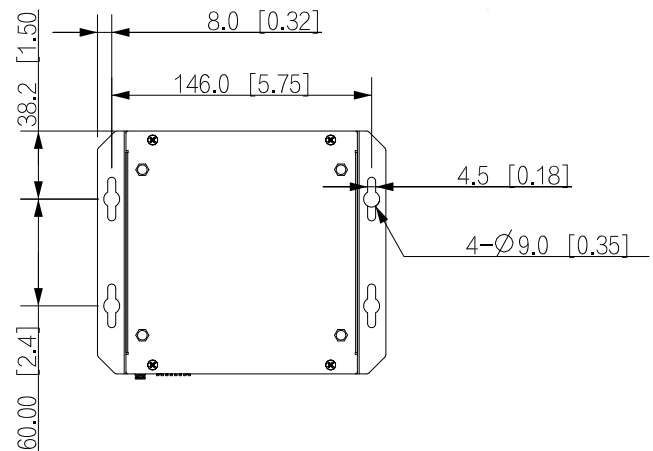
Technical Specification

Name	8-zone expansion module
Zone Expansion	8
Communication Protocol	M-Bus
Baud Rate	9600 bps
Power Supply	12 VDC, 2 W
Dimensions	136 mm × 132 mm × 30 mm (5.35" × 5.20" × 1.18") (W × D × H)
Weight	0.6 kg (1.32 lb)
Installation	Wall mount

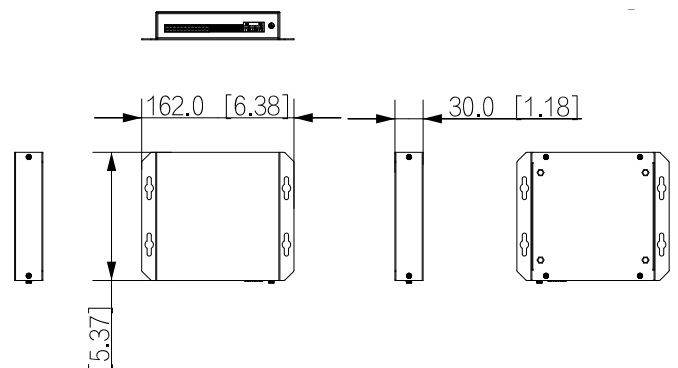
Ordering Information

Type	Model	Description
Alarm Accessory	DHI-ARM808	8-zone expansion and 1-channel alarm outputs Applied in ARC9016C-V3

Installation



Dimensions (mm[inch])



DHI-ARM808-RS

Input Expansion Module



- 8-channel alarm inputs.
- 2-channel alarm outputs.
- Address setting with DIP switch.
- EOLR configuration (2K7, 4K7, and 6K8).
- Alarm output switch between NO (Normally Open) and NC (Normally Closed) with jumper.
- Remote update by client software.

System Overview

DHI-ARM808-RS is an input expansion module which needs to be used together with ARC3008C, ARC9016C, ARC2008C and ARC2016C

Technical Specification

Port

Alarm Output	2
Alarm Input	8
RS-485	1, connected to a maximum of 300 m (984.25 ft) cable typed RVV2*1.5

Function

Device Address	0–15(ARC9 series, ARC2 series) 1–8(ARC3008)
Zone Terminations	NC, NO, 1EOL, 2EOL, 3EOL, INERTIAL(ARC3008), and IMPULSE(ARC3008)
EOLR	2K7, 4K7, and 6K8
Alarm Output Mode	Switch between NO and NC with jumper
Output Capacity	30 VDC/500 mA
Update	Remote update by client software

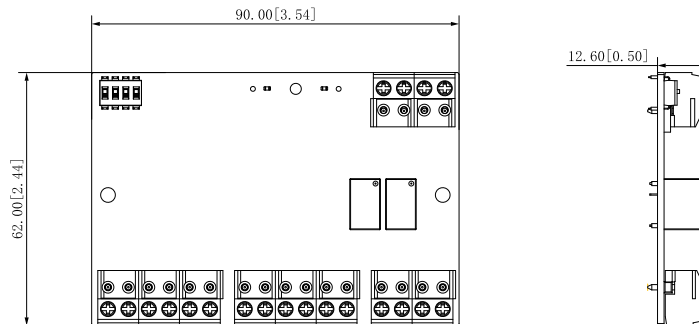
General

Power Supply	12 VDC
Power Consumption	1.2 W
Operating Temperature	–10°C to +55°C (+ 14°F to + 131°F)
Operating Humidity	10%–90% (RH)
Product Dimensions	90.0 mm × 62.0 mm × 12.6 mm (3.54" × 2.44" × 0.5") (L × W × H)
Net Weight	≤1 kg (2.20 lb)

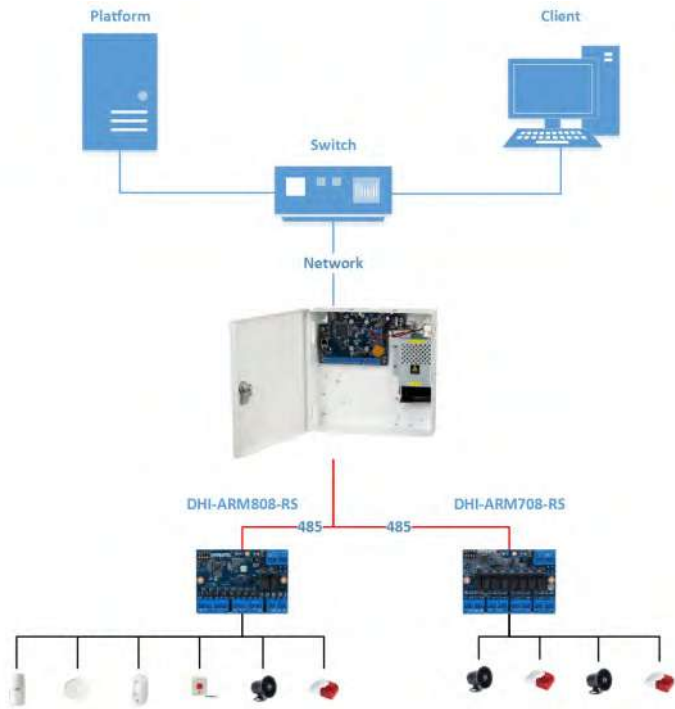
Ordering Information

Type	Model	Description
Alarm Accessory	DHI-ARM808-RS	Input expansion module 8-channel alarm inputs and 2-channel alarm outputs

Dimensions (mm[inch])



Application



DHI-ARM911

M-Bus 1 Input & 1 Relay Output Expansion Module



- 1 input and 1 relay output.
- M-Bus protocol.
- Applied in ARC9016C-V3.

Technical Specification

Name	1 input & 1 relay output expansion module
Zone Expansion	1 input
Relay Output	1
Communication Protocol	M-Bus
Communication Distance	Connected to a maximum of 2.4 km (7874.15 ft) cable typed RVV2 × 1.5
Baud Rate	9600 bps
Address	Addressable code
Dimensions (W × D × H)	60.0 mm × 25.0 mm × 13.0 mm (2.36" × 0.98" × 0.51")
Operating Temperature	-10 °C to +55 °C (+ 14 °F to + 131 °F)

Ordering Information

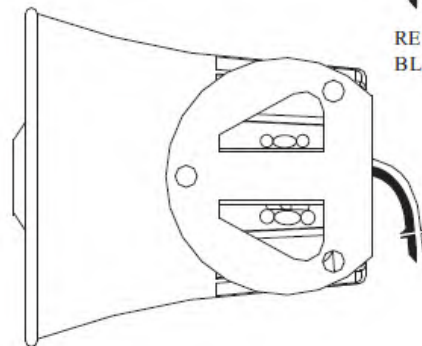
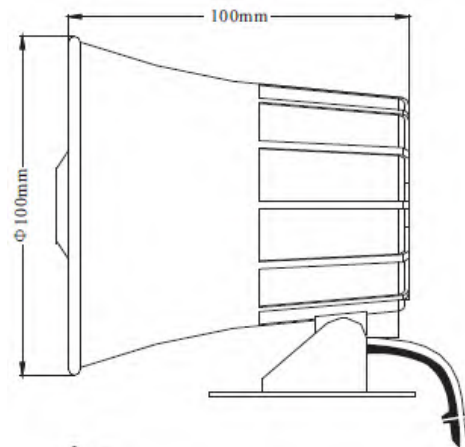
Type	Model	Description
Alarm Accessory	DHI-ARM911	1 input and 1 relay output expansion module Applied in ARC9016C-V3

DH-ARA16

Outdoor Siren



Outline Drawing



RED WIRE: B+
BLACK WIRE: B-

Technical Specification

Rated Voltage	DC 12V
Operating Voltage Range	DC 6-13V
Rated Current at 12VDC	$\leq 400\text{mA}$
Output Sound Pressure Level at 12VDC	$\geq 105\text{dB/m}$
Material	ABS Plastic, Black
Bracket	Iron, 1.5mm Thickness, Black Colour

DH-ARA31A

Detector Bracket



Features

- Multi-angle adjustable (120°)
- ABS material

DHI-ARK30C

LCD Keypad FOR ARC3008 - Fortress Series



Features

- The LCD keypad are intended for daily operation of the ARC3008 via RS485
- Beautiful new design
- 32-character blue LCD screen
- Keypad and display backlight
- 4 status LEDs for power, battery, fault and bypass status
- 8 Area LEDs for the status of Area 1 to 8
- Real-time zone alarm display
- Menu-driven programming for easy use and setting
- Different menu for installer and users
- Support English and Italy languages simultaneously
- Buzzer for acoustic signaling
- Keypad shortcuts hold-down PANIC, ROBBERY, MEDICAL and FIRE alarms

Technical Specification

Environmental Class	II
Supply Voltage	12V DC
Enclosure dimensions	180 × 84 × 27 mm
Operating Temperature	-10°C ~ +55°C
Humidity	10% ~ 90%
Device Weight	<280g
Max. Current Consumption	70mA
Tamper Function	Case tamper and leave-wall tamper supported
Installation	Wall mounting

Dimensions

